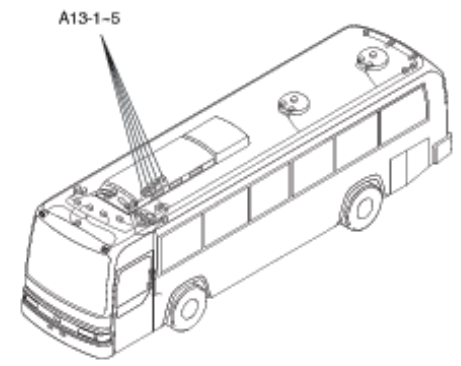
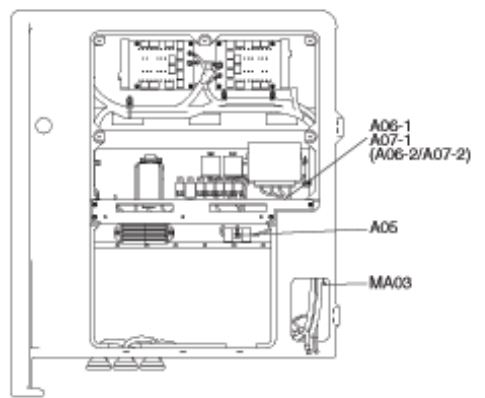


\* ( ) With ASR

VIEW 'A'



**ABS HARNESS**

A01 Front Wheel Speed Sensor LH  
 A02 Front Wheel Speed Sensor RH  
 A03 Front Pressure Control Valve LH  
 A04 Front Pressure Control Valve RH  
 A05 Joint Connector  
 A06-1 ABS Control Module(W/O ASR)  
 A06-2 ABS Control Module(W/O ASR)  
 A07-1 ABS Control Module(With ASR)  
 A07-2 ABS Control Module(With ASR)  
 A08 ASR Pressure Control Valve  
 A09 Rear Wheel Speed Sensor LH  
 A10 Rear Wheel Speed Sensor RH  
 A11 Rear Pressure Control Valve LH  
 A12 Rear Pressure Control Valve RH  
 A14 ABS Diagnosis Connector  
 A25 CAN Resistor  
 CA01 Connection With Chassis Harness  
 CA04 Connection With Chassis Harness  
 MA03 Connection With PCB Harness  
 MA05 Connection With Front Harness  
 A05 Ground  
 Z16 Diode

**A/CON HARNESS**

A13-1 A/Con Operation Panel  
 A13-2 A/Con Operation Panel  
 A13-3 A/Con Operation Panel  
 A13-4 A/Con Operation Panel  
 A13-5 A/Con Operation Panel  
 CA02 Connection With Chassis No.1 Harness  
 RA01 Connection With HVAC Harness  
 RA02 Connection With HVAC Harness

**DEFROSTER HARNESS**

A15 Defroster Actuator #1  
 A16 Defroster Actuator #2  
 A17 Defroster Actuator #3  
 A18 Defroster Relay #1  
 A19 Defroster Relay #2  
 A20 Power Transistor #1  
 A21 Power Transistor #2  
 A22 Defroster Motor  
 A23 Water Temperature Sensor  
 A24 Defroster Control Module  
 MA01 Connection With Main Harness  
 G10 Ground

**HEATER LH HARNESS**

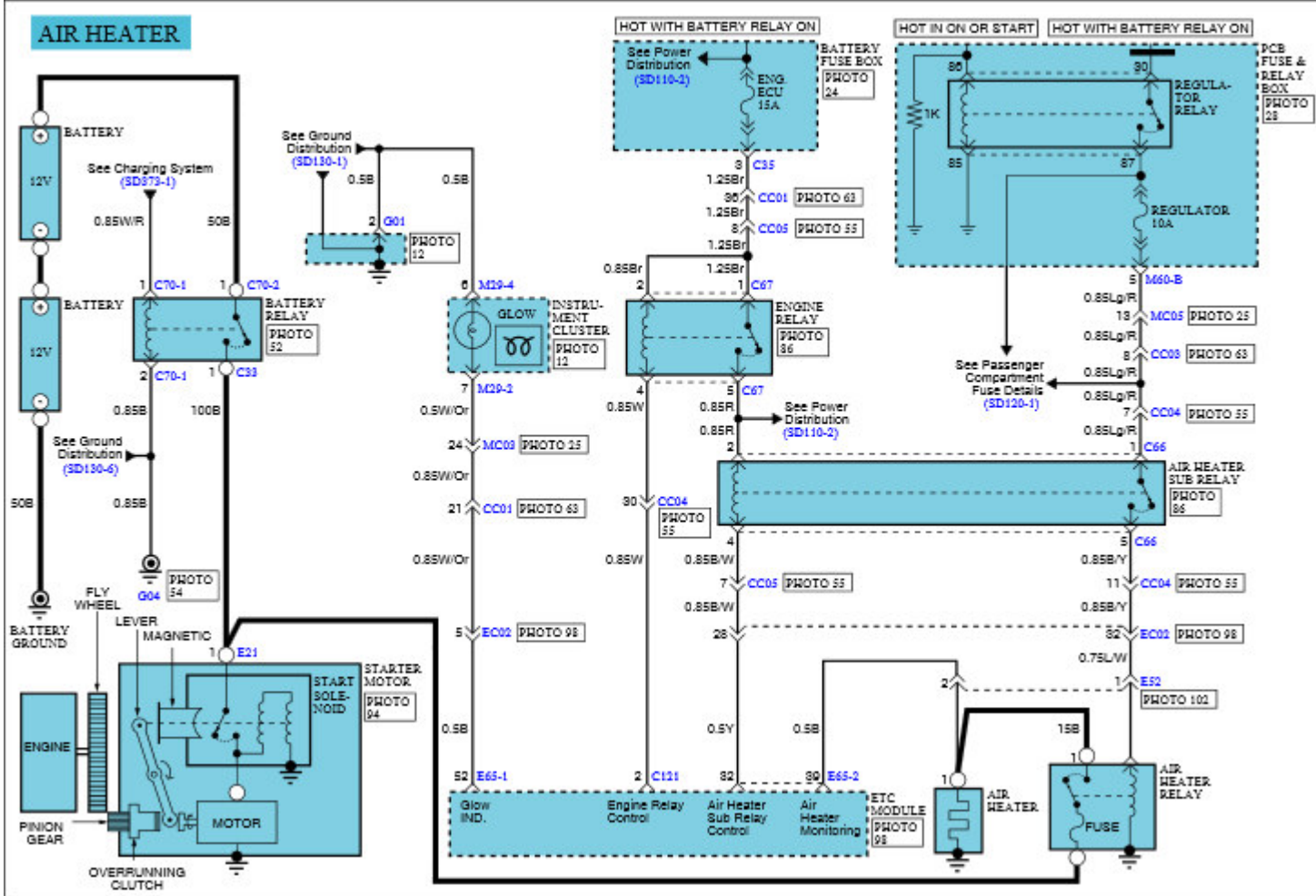
A61 Blower Motor #1  
 A62 Blower Motor #2  
 A63 FET #1(Field Effect Transistor)  
 A64 FET #2(Field Effect Transistor)  
 A65 Blower Relay #1  
 A66 Blower Relay #2  
 A67 Incar Sensor LH  
 A68-1 Fuse #1(20A)  
 A68-2 Fuse #1(20A)  
 A69-1 Fuse #2(20A)  
 A69-2 Fuse #2(20A)  
 AA01 Connection With Heater & Preheater Harness

**HEATER RH HARNESS**

A71 Blower Motor #3  
 A72 Blower Motor #4  
 A73 Fet #3(Field Effect Transistor)  
 A74 Fet #4(Field Effect Transistor)  
 A75 Blower Relay #3  
 A76 Blower Relay #4  
 A77 Incar Sensor RH  
 A78-1 Fuse #3(20A)  
 A78-2 Fuse #3(20A)  
 A79-1 Fuse #4(20A)  
 A79-2 Fuse #4(20A)  
 AA02 Connection With Heater & Preheater Harness

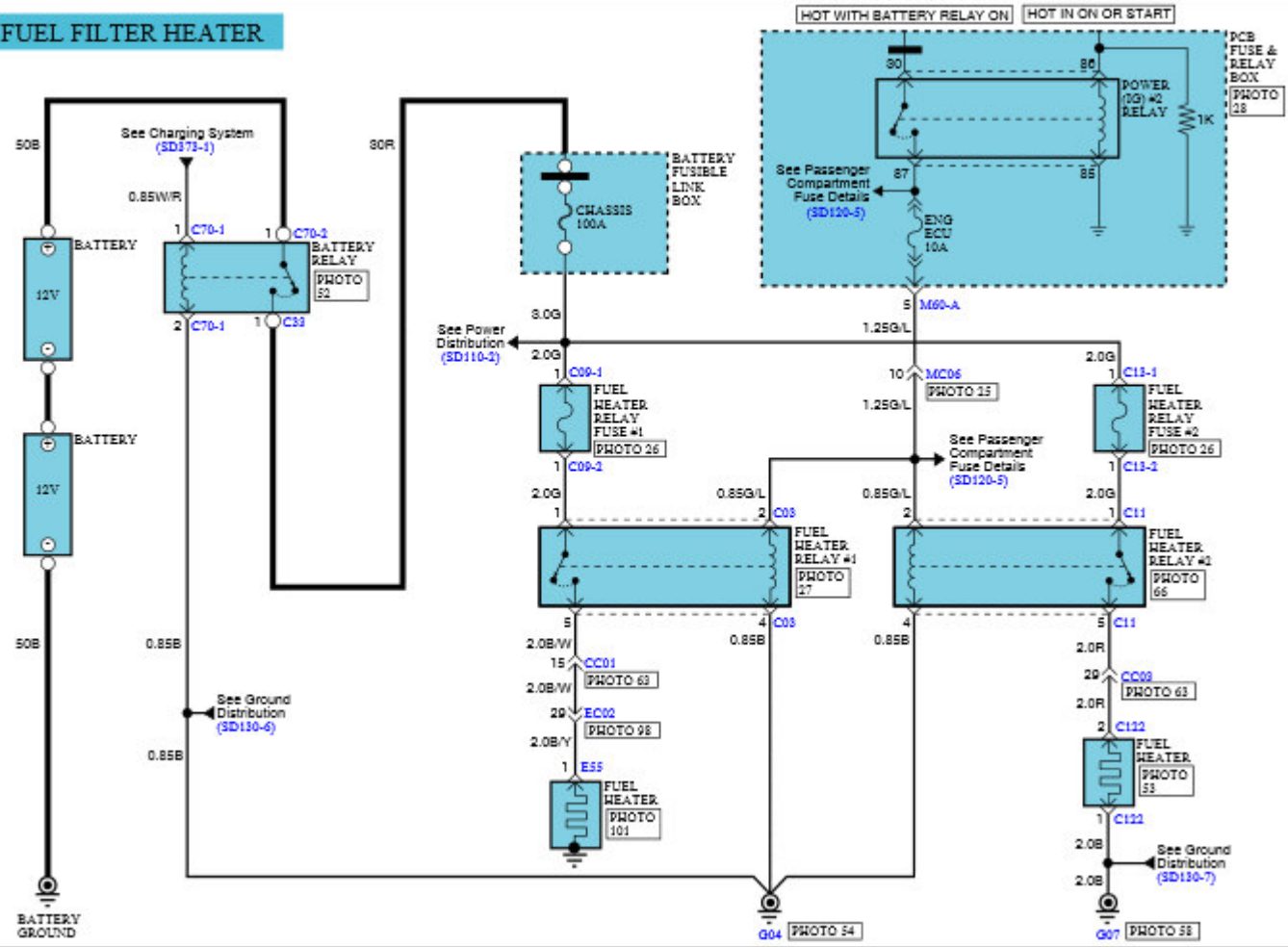
**HEATER & PREHEATER HARNESS**

A34 Water Pump  
 A35 Preheater Unit  
 A37 Auto Grease Pressure Switch  
 A38 Auto Grease Pressure Pump  
 A39 Luggage Door Lock Solenoid  
 AA01 Connection With Heater LH Harness  
 AA02 Connection With Heater RH Harness  
 CA03 Connection With Chassis No.1 Harness  
 G11 Ground



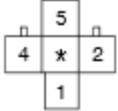


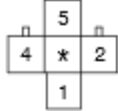





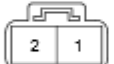

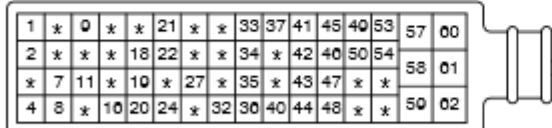


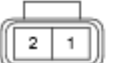

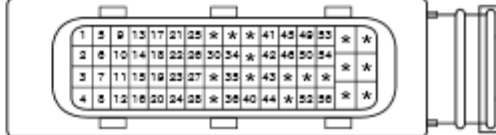


**FUEL FILTER HEATER**

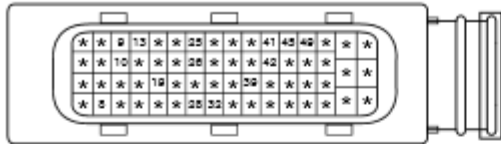


Air Heater & Fuel Filter Heater Controls (3)

SD320-3

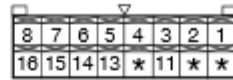
<p><b>C03</b></p>  <p>CR05F022</p>	<p><b>C09-1</b></p>  <p>CR01F034</p>	<p><b>C09-2</b></p>  <p>CR01F034</p>	<p><b>C11</b></p>  <p>CR06F022</p>
<p><b>C13-1</b></p>  <p>CR01F034</p>	<p><b>C13-2</b></p>  <p>CR01F034</p>	<p><b>C33</b></p>  <p>CR01F034</p>	<p><b>C66</b></p>  <p>MC_PD_SF</p>
<p><b>C67</b></p>  <p>MC_PD_SF</p>	<p><b>C70-1</b></p>  <p>NMSP_SF</p>	<p><b>C70-2</b></p>  <p>CR01F034</p>	<p>BLANK</p>
<p><b>C121</b></p>  <p>CR02F002</p>	<p><b>C122</b></p>  <p>CR02F003</p>	<p><b>E21</b></p>  <p>CR01F034</p>	
<p><b>E52</b></p>  <p>CR02F212</p>	<p><b>E55</b></p>  <p>CR02F041</p>	<p><b>E65-1</b></p>  <p>CR02F001</p>	

E65-1



CR62FD01

M29-1

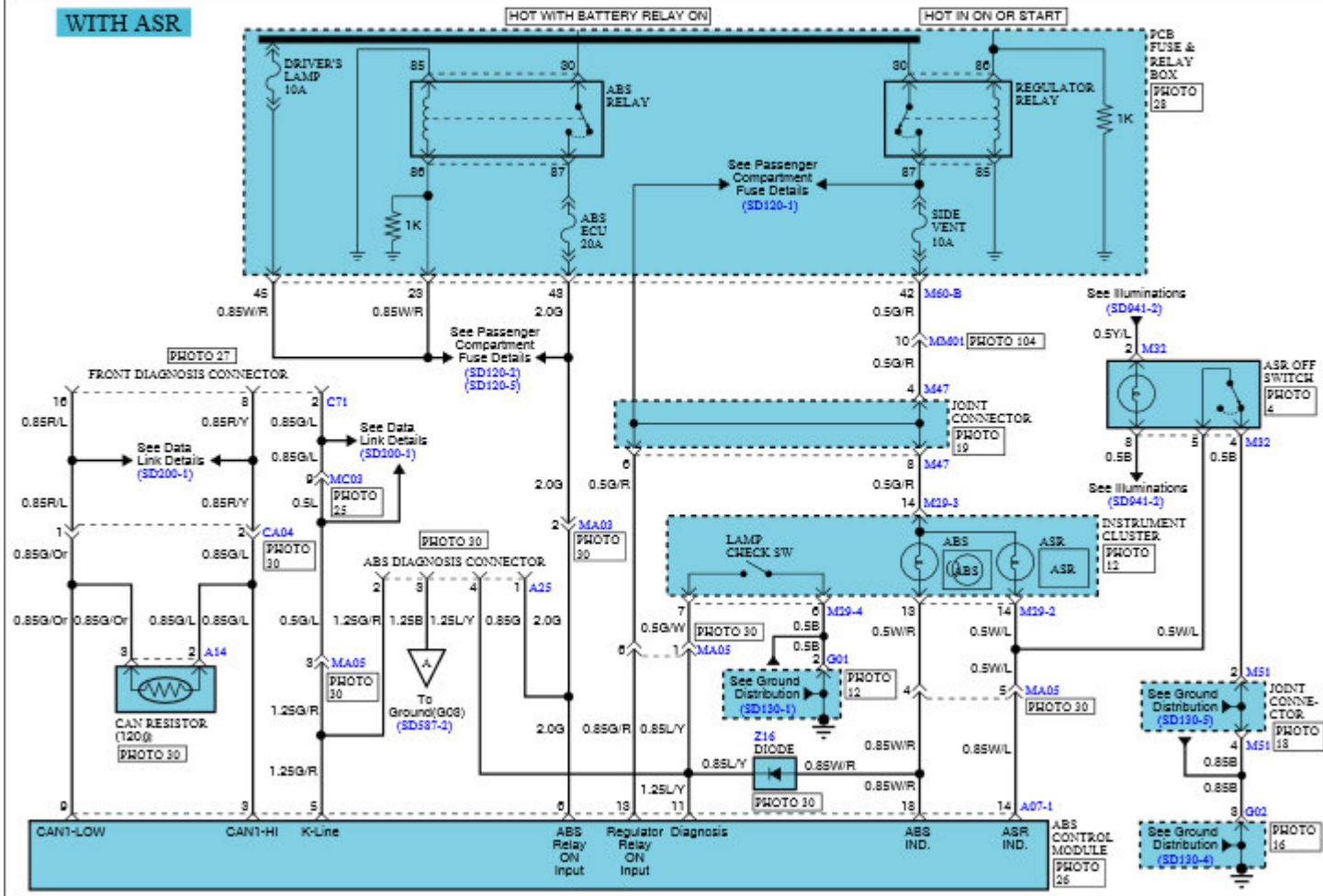


CR16FD19

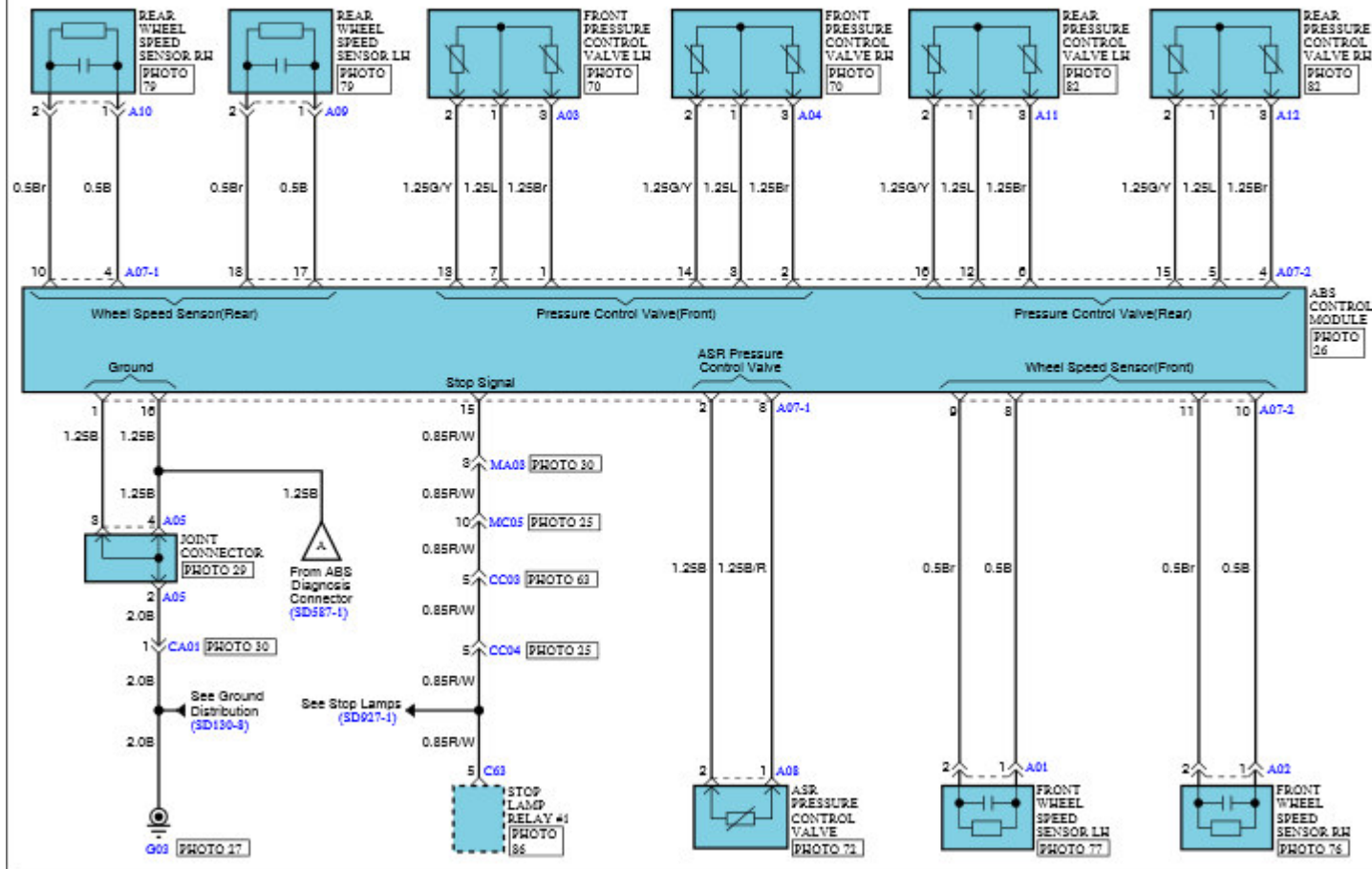
M29-4



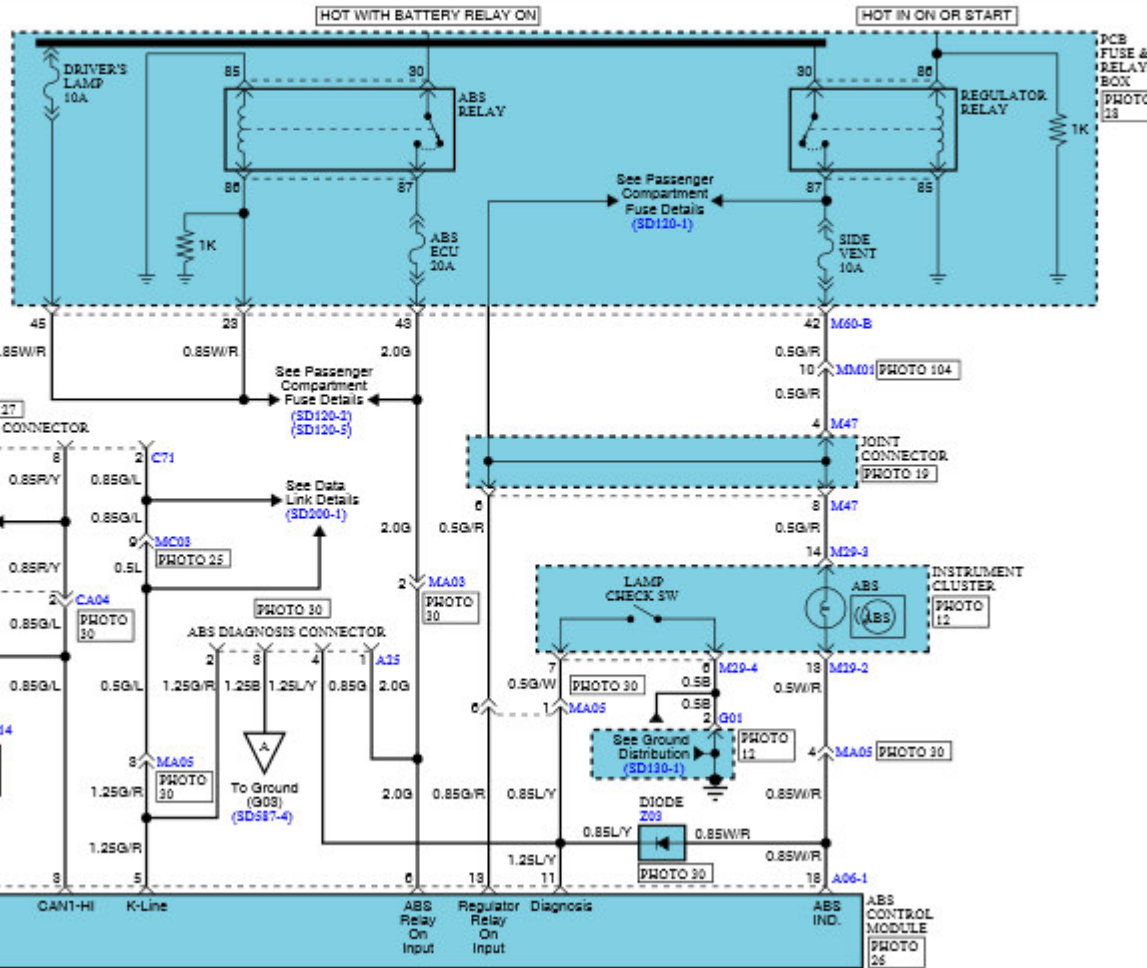
CR16FD19



**WITH ASR**

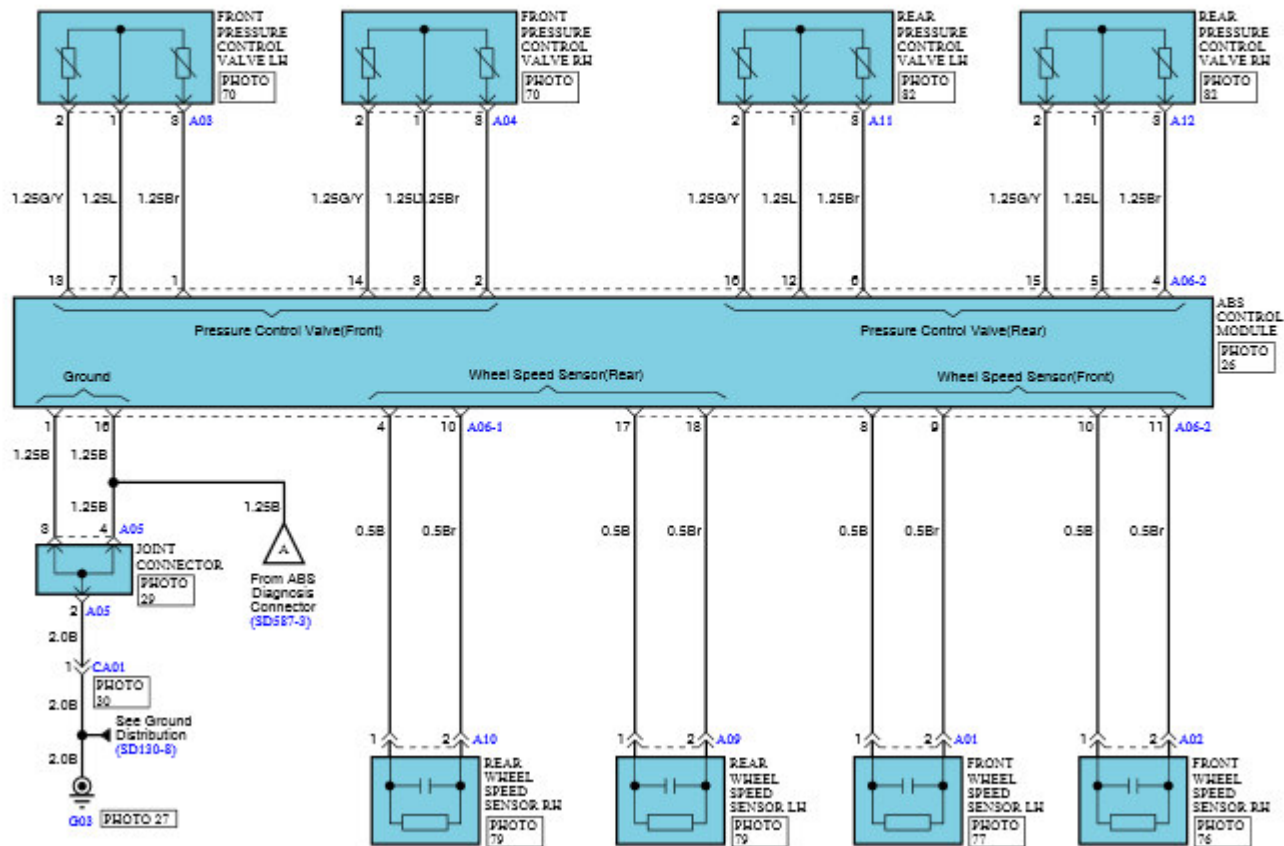











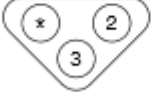
W/O ASR





W/O ASR



<p>A01</p>  <p>CR02F199</p>	<p>A02</p>  <p>CR02F199</p>	<p>A03</p>  <p>CR04F087</p>	<p>A04</p>  <p>CR04F087</p>																																																																								
<p>A06-1</p> <table border="1" data-bbox="248 531 414 614"> <tr><td>6</td><td>5</td><td>4</td><td>3</td><td>*</td><td>1</td></tr> <tr><td>*</td><td>11</td><td>10</td><td>9</td><td>*</td><td>*</td></tr> <tr><td>18</td><td>*</td><td>16</td><td>*</td><td>*</td><td>13</td></tr> </table> <p>CR18F016</p>	6	5	4	3	*	1	*	11	10	9	*	*	18	*	16	*	*	13	<p>A06-2</p> <table border="1" data-bbox="607 539 772 622"> <tr><td>6</td><td>5</td><td>4</td><td>3</td><td>2</td><td>1</td></tr> <tr><td>12</td><td>11</td><td>10</td><td>9</td><td>8</td><td>7</td></tr> <tr><td>18</td><td>17</td><td>16</td><td>15</td><td>14</td><td>13</td></tr> </table> <p>CR18F016</p>	6	5	4	3	2	1	12	11	10	9	8	7	18	17	16	15	14	13	<p>A07-1</p> <table border="1" data-bbox="969 531 1135 614"> <tr><td>6</td><td>5</td><td>4</td><td>3</td><td>2</td><td>1</td></tr> <tr><td>*</td><td>11</td><td>10</td><td>9</td><td>8</td><td>*</td></tr> <tr><td>18</td><td>*</td><td>16</td><td>15</td><td>14</td><td>13</td></tr> </table> <p>CR18F016</p>	6	5	4	3	2	1	*	11	10	9	8	*	18	*	16	15	14	13	<p>A07-2</p> <table border="1" data-bbox="1335 539 1500 622"> <tr><td>6</td><td>5</td><td>4</td><td>3</td><td>2</td><td>1</td></tr> <tr><td>12</td><td>11</td><td>10</td><td>9</td><td>8</td><td>7</td></tr> <tr><td>18</td><td>17</td><td>16</td><td>15</td><td>14</td><td>13</td></tr> </table> <p>CR18F016</p>	6	5	4	3	2	1	12	11	10	9	8	7	18	17	16	15	14	13
6	5	4	3	*	1																																																																						
*	11	10	9	*	*																																																																						
18	*	16	*	*	13																																																																						
6	5	4	3	2	1																																																																						
12	11	10	9	8	7																																																																						
18	17	16	15	14	13																																																																						
6	5	4	3	2	1																																																																						
*	11	10	9	8	*																																																																						
18	*	16	15	14	13																																																																						
6	5	4	3	2	1																																																																						
12	11	10	9	8	7																																																																						
18	17	16	15	14	13																																																																						
<p>A08</p>  <p>CR04F087</p>	<p>A09</p>  <p>CR02F199</p>	<p>A10</p>  <p>CR02F199</p>	<p>A11</p>  <p>CR04F087</p>																																																																								
<p>A12</p>  <p>CR04F087</p>	<p>A14</p>  <p>CR03F138</p>	<p>A25</p> <table border="1" data-bbox="1005 935 1099 1027"> <tr><td>2</td><td>1</td></tr> <tr><td>4</td><td>3</td></tr> </table> <p>MN_SL_4F</p>	2	1	4	3	<p>C63</p> <table border="1" data-bbox="1352 911 1476 1043"> <tr><td>5</td></tr> <tr><td>4</td><td>*</td><td>2</td></tr> <tr><td>1</td></tr> </table> <p>MC_PD_5F</p>	5	4	*	2	1																																																															
2	1																																																																										
4	3																																																																										
5																																																																											
4	*	2																																																																									
1																																																																											
<p>C71</p> <table border="1" data-bbox="181 1134 477 1217"> <tr><td>8</td><td>*</td><td>*</td><td>5</td><td>4</td><td>3</td><td>2</td><td>*</td></tr> <tr><td>16</td><td>*</td><td>*</td><td>*</td><td>*</td><td>11</td><td>10</td><td>9</td></tr> </table> <p>DIAGNOSIS_CONN_16P</p>	8	*	*	5	4	3	2	*	16	*	*	*	*	11	10	9	<p>M29-2</p> <table border="1" data-bbox="573 1134 804 1217"> <tr><td>8</td><td>7</td><td>6</td><td>5</td><td>4</td><td>3</td><td>2</td><td>1</td></tr> <tr><td>16</td><td>15</td><td>14</td><td>13</td><td>*</td><td>11</td><td>*</td><td>*</td></tr> </table> <p>CR16F019</p>	8	7	6	5	4	3	2	1	16	15	14	13	*	11	*	*	<p>M29-3</p> <table border="1" data-bbox="909 1134 1193 1217"> <tr><td>*</td><td>9</td><td>8</td><td>7</td><td>*</td><td>5</td><td>4</td><td>3</td><td>2</td><td>1</td></tr> <tr><td>20</td><td>19</td><td>18</td><td>17</td><td>16</td><td>15</td><td>14</td><td>13</td><td>12</td><td>11</td></tr> </table> <p>CR20F021</p>	*	9	8	7	*	5	4	3	2	1	20	19	18	17	16	15	14	13	12	11	<p>M29-4</p> <table border="1" data-bbox="1294 1134 1525 1217"> <tr><td>8</td><td>7</td><td>6</td><td>5</td><td>*</td><td>*</td><td>2</td><td>1</td></tr> <tr><td>16</td><td>15</td><td>*</td><td>13</td><td>12</td><td>11</td><td>10</td><td>9</td></tr> </table> <p>CR16F019</p>	8	7	6	5	*	*	2	1	16	15	*	13	12	11	10	9				
8	*	*	5	4	3	2	*																																																																				
16	*	*	*	*	11	10	9																																																																				
8	7	6	5	4	3	2	1																																																																				
16	15	14	13	*	11	*	*																																																																				
*	9	8	7	*	5	4	3	2	1																																																																		
20	19	18	17	16	15	14	13	12	11																																																																		
8	7	6	5	*	*	2	1																																																																				
16	15	*	13	12	11	10	9																																																																				

M31

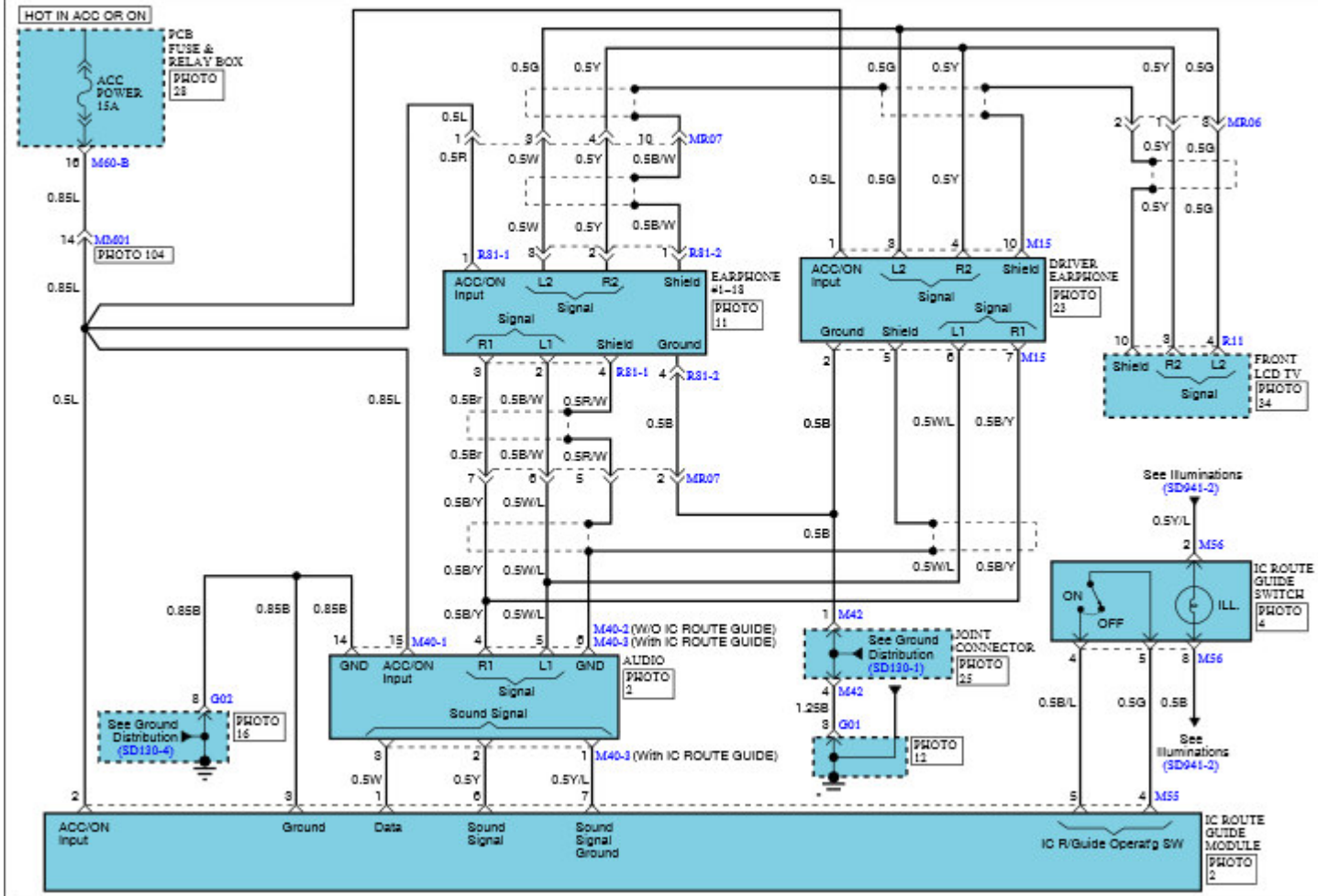
*			2	*
8	*	*	5	4

CR08F031

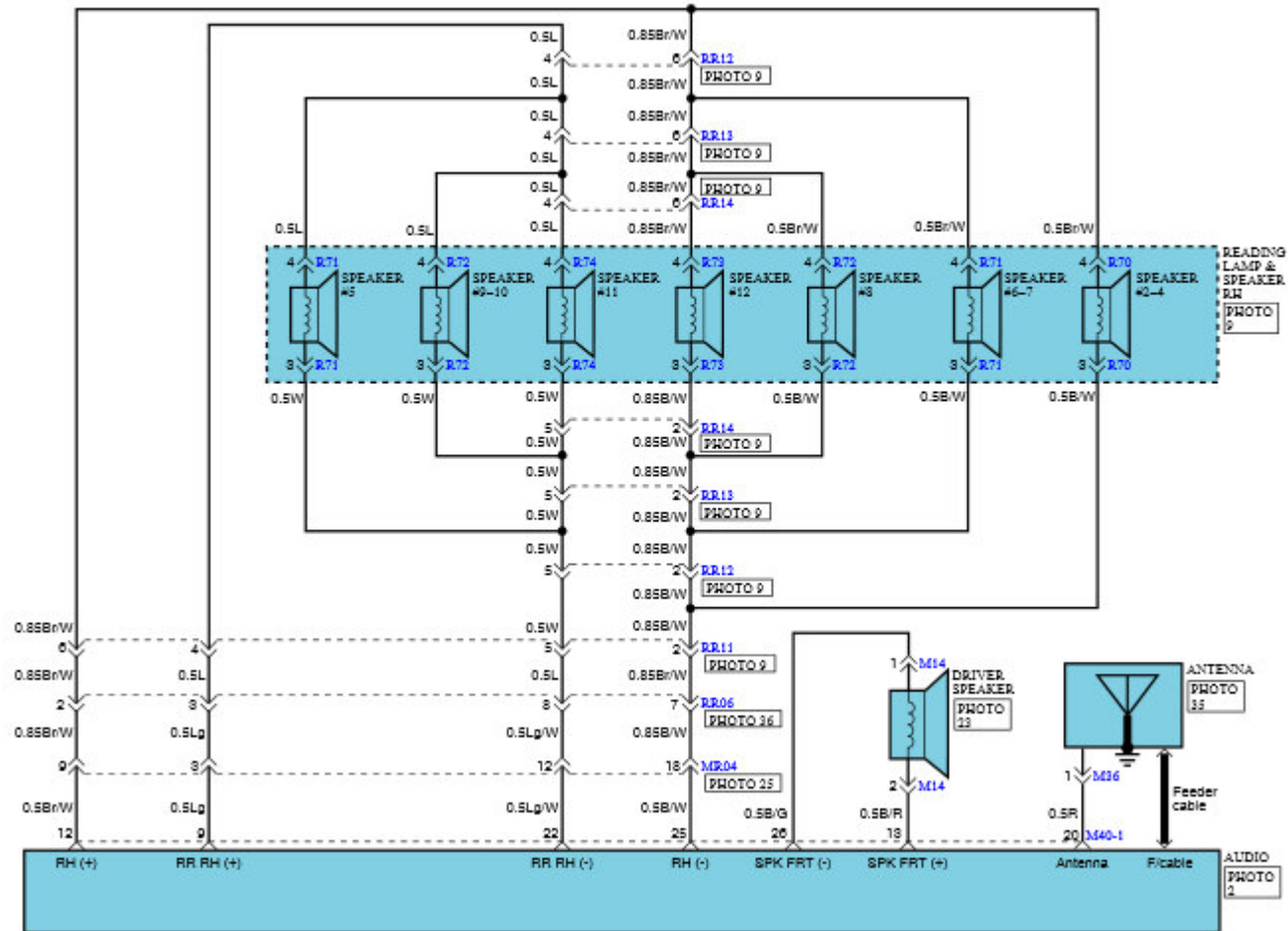
BLANK

BLANK



BLANK

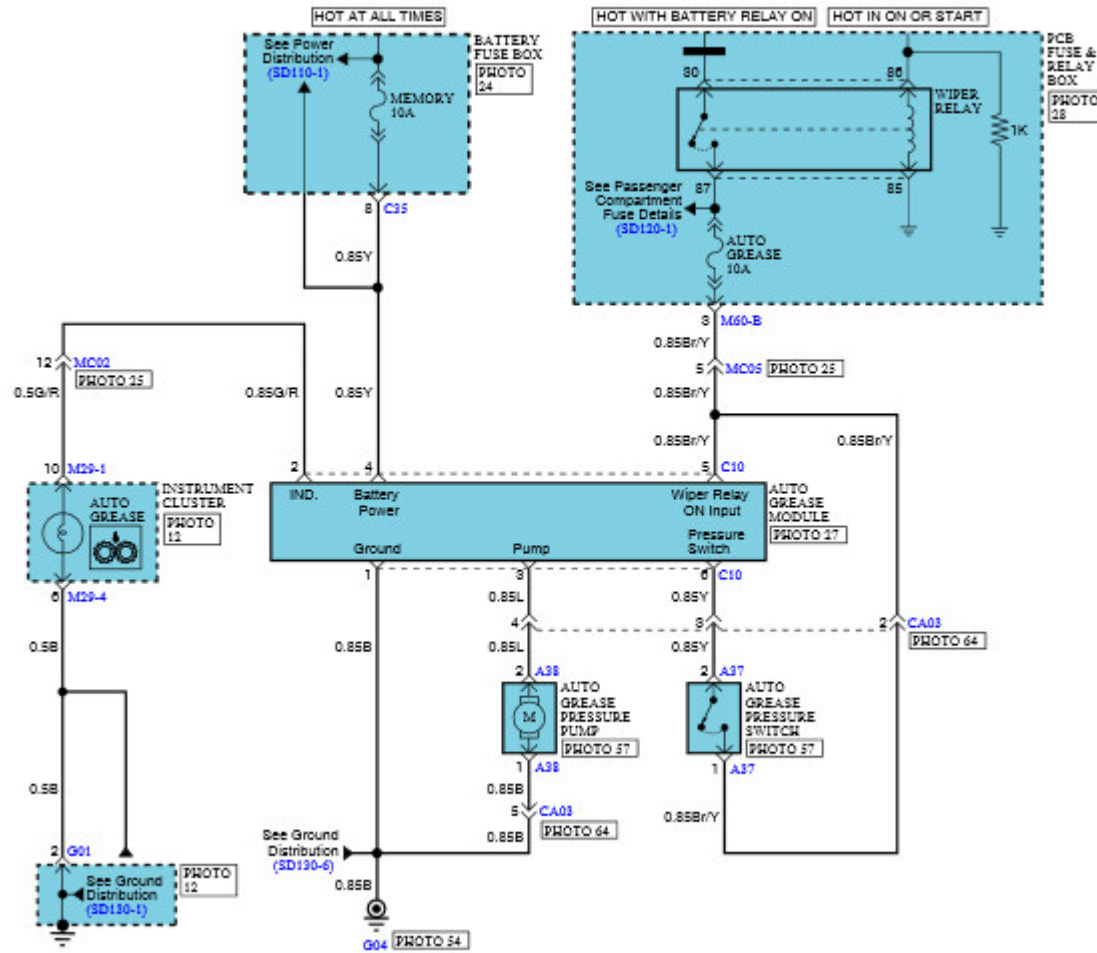


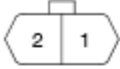
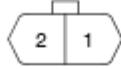

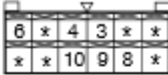
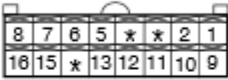


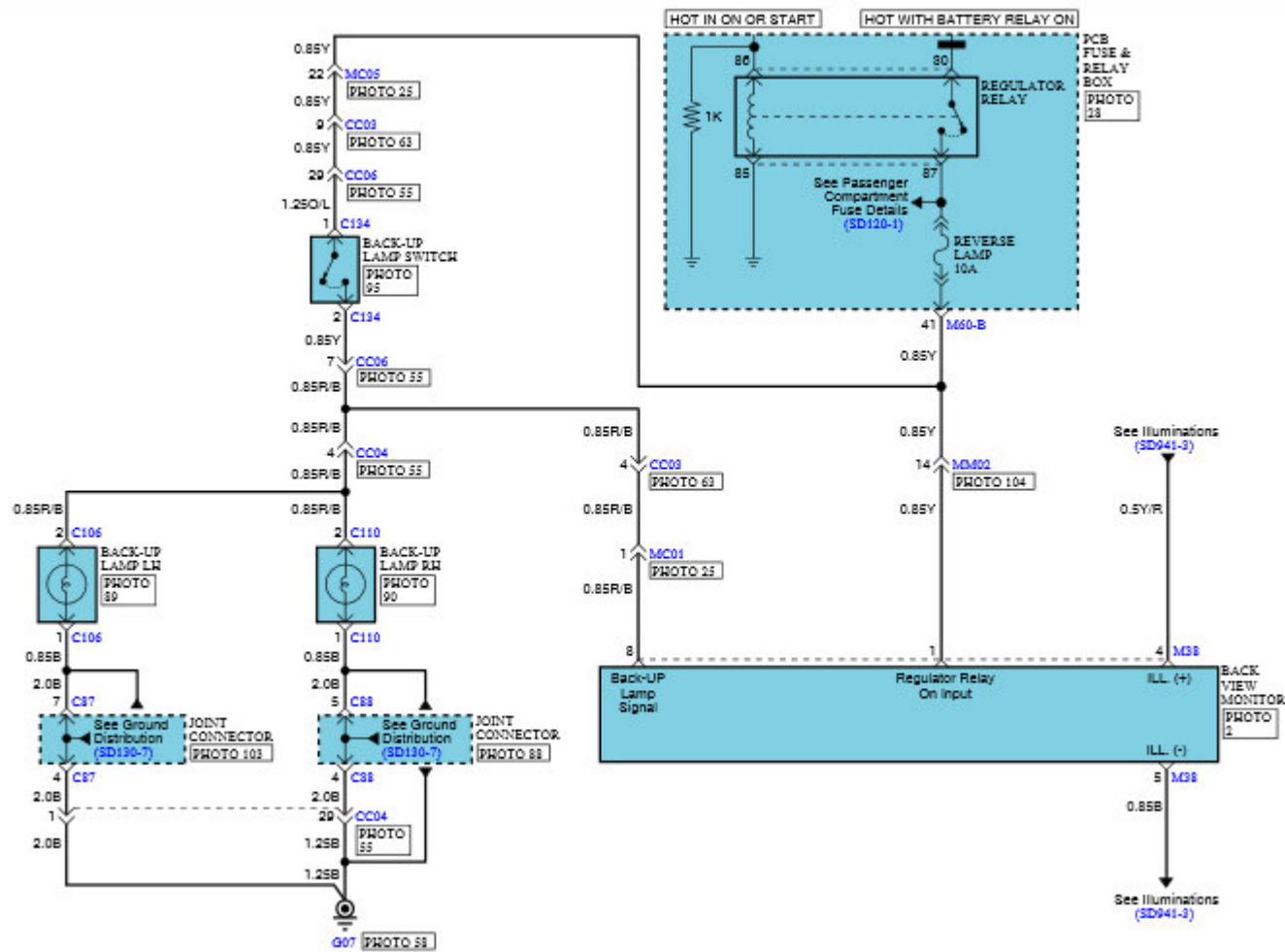




<p>M14</p>  <p>MC_AL_2F</p>	<p>M15</p> <table border="1" data-bbox="548 331 833 416"> <tr> <td>4</td> <td>3</td> <td></td> <td></td> <td>2</td> <td>1</td> </tr> <tr> <td>10</td> <td>*</td> <td>*</td> <td>7</td> <td>6</td> <td>5</td> </tr> </table> <p>CR10F004</p>	4	3			2	1	10	*	*	7	6	5	<p>M36</p>  <p>CR01F061</p>	<p>M40-1</p> <table border="1" data-bbox="1247 347 1583 400"> <tr> <td>18</td> <td>12</td> <td>11</td> <td>*</td> <td>9</td> <td>8</td> <td>*</td> <td>*</td> <td>*</td> <td>*</td> <td>2</td> <td>1</td> </tr> <tr> <td>20</td> <td>25</td> <td>24</td> <td>*</td> <td>22</td> <td>21</td> <td>20</td> <td>*</td> <td>*</td> <td>*</td> <td>15</td> <td>14</td> </tr> </table> <p>CR02F015</p>	18	12	11	*	9	8	*	*	*	*	2	1	20	25	24	*	22	21	20	*	*	*	15	14
4	3			2	1																																		
10	*	*	7	6	5																																		
18	12	11	*	9	8	*	*	*	*	2	1																												
20	25	24	*	22	21	20	*	*	*	15	14																												
<p>M40-2</p> <table border="1" data-bbox="275 539 383 619"> <tr> <td>*</td> <td>*</td> <td>*</td> </tr> <tr> <td>6</td> <td>5</td> <td>4</td> </tr> </table> <p>CR02F002</p>	*	*	*	6	5	4	<p>M40-3</p> <table border="1" data-bbox="638 539 745 619"> <tr> <td>3</td> <td>2</td> <td>1</td> </tr> <tr> <td>6</td> <td>5</td> <td>4</td> </tr> </table> <p>CR02F002</p>	3	2	1	6	5	4	<p>M55</p> <table border="1" data-bbox="938 528 1167 627"> <tr> <td>3</td> <td>2</td> <td></td> <td></td> <td>1</td> </tr> <tr> <td>*</td> <td>7</td> <td>6</td> <td>5</td> <td>4</td> </tr> </table> <p>CR03000</p>	3	2			1	*	7	6	5	4	<p>M56</p> <table border="1" data-bbox="1294 528 1534 627"> <tr> <td>*</td> <td></td> <td></td> <td>2</td> <td>*</td> </tr> <tr> <td>8</td> <td>*</td> <td>*</td> <td>5</td> <td>4</td> </tr> </table> <p>CR02F031</p>	*			2	*	8	*	*	5	4				
*	*	*																																					
6	5	4																																					
3	2	1																																					
6	5	4																																					
3	2			1																																			
*	7	6	5	4																																			
*			2	*																																			
8	*	*	5	4																																			
<p>R11</p> <table border="1" data-bbox="188 730 472 815"> <tr> <td>4</td> <td>3</td> <td></td> <td></td> <td>2</td> <td>1</td> </tr> <tr> <td>10</td> <td>*</td> <td>*</td> <td>*</td> <td>*</td> <td>*</td> </tr> </table> <p>CR10F004</p>	4	3			2	1	10	*	*	*	*	*	<p>R64 / R65</p> <table border="1" data-bbox="598 746 786 815"> <tr> <td>4</td> <td>3</td> <td>2</td> <td>1</td> </tr> </table> <p>CR04F062</p>	4	3	2	1	<p>R66</p> <table border="1" data-bbox="958 746 1146 815"> <tr> <td>4</td> <td>3</td> <td>2</td> <td>1</td> </tr> </table> <p>CR04F062</p>	4	3	2	1	<p>R67</p> <table border="1" data-bbox="1317 746 1505 815"> <tr> <td>4</td> <td>3</td> <td>2</td> <td>1</td> </tr> </table> <p>CR04F062</p>	4	3	2	1												
4	3			2	1																																		
10	*	*	*	*	*																																		
4	3	2	1																																				
4	3	2	1																																				
4	3	2	1																																				
<p>R68</p> <table border="1" data-bbox="235 943 427 1018"> <tr> <td>4</td> <td>3</td> <td>2</td> <td>1</td> </tr> </table> <p>CR04F062</p>	4	3	2	1	<p>R70</p> <table border="1" data-bbox="593 943 786 1018"> <tr> <td>4</td> <td>3</td> <td>2</td> <td>1</td> </tr> </table> <p>CR04F062</p>	4	3	2	1	<p>R71</p> <table border="1" data-bbox="954 943 1146 1018"> <tr> <td>4</td> <td>3</td> <td>2</td> <td>1</td> </tr> </table> <p>CR04F062</p>	4	3	2	1	<p>R72</p> <table border="1" data-bbox="1317 943 1509 1018"> <tr> <td>4</td> <td>3</td> <td>2</td> <td>1</td> </tr> </table> <p>CR04F062</p>	4	3	2	1																				
4	3	2	1																																				
4	3	2	1																																				
4	3	2	1																																				
4	3	2	1																																				
<p>R73</p> <table border="1" data-bbox="235 1142 427 1217"> <tr> <td>4</td> <td>3</td> <td>2</td> <td>1</td> </tr> </table> <p>CR04F062</p>	4	3	2	1	<p>R74</p> <table border="1" data-bbox="593 1142 786 1217"> <tr> <td>4</td> <td>3</td> <td>2</td> <td>1</td> </tr> </table> <p>CR04F062</p>	4	3	2	1	<p>R81-1</p> <table border="1" data-bbox="969 1142 1135 1217"> <tr> <td>4</td> <td>3</td> <td>2</td> <td>1</td> </tr> </table> <p>CR04F107</p>	4	3	2	1	<p>R81-2</p> <table border="1" data-bbox="1323 1142 1507 1217"> <tr> <td>1</td> <td>2</td> <td>3</td> <td>4</td> </tr> </table> <p>CR04M107</p>	1	2	3	4																				
4	3	2	1																																				
4	3	2	1																																				
4	3	2	1																																				
1	2	3	4																																				



<p>A37</p>  <p>SWF_2P</p>	<p>A38</p>  <p>SWF_2P</p>	<p>C10</p>  <p>MC_AL_6P</p>	<p>M29-1</p>  <p>CR12FD31</p>
<p>M29-4</p>  <p>CR16FD19</p>	<p>BLANK</p>	<p>BLANK</p>	<p>BLANK</p>



C106



NDWP-2F

C110



NDWP-2F

C134

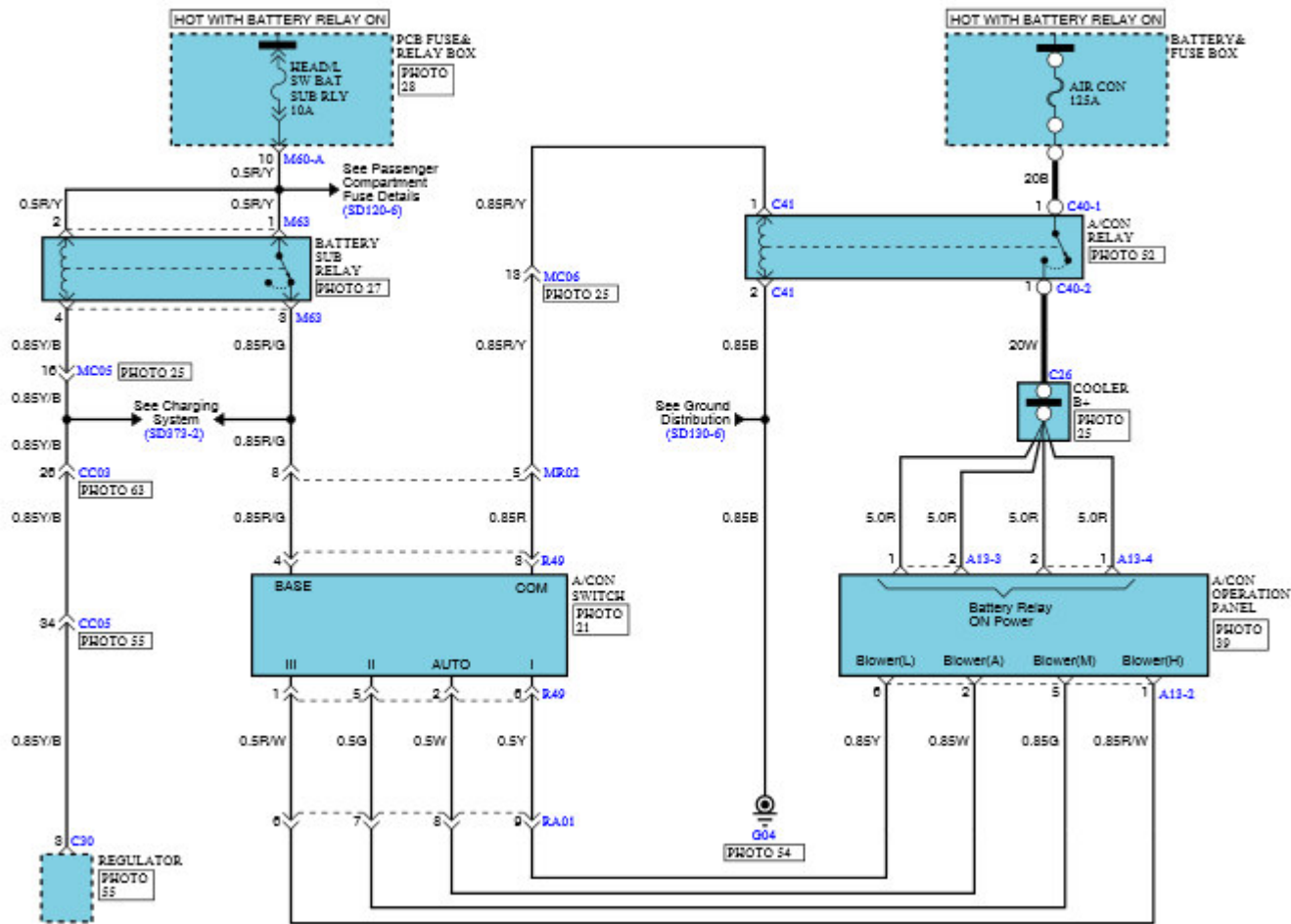


CR04F087

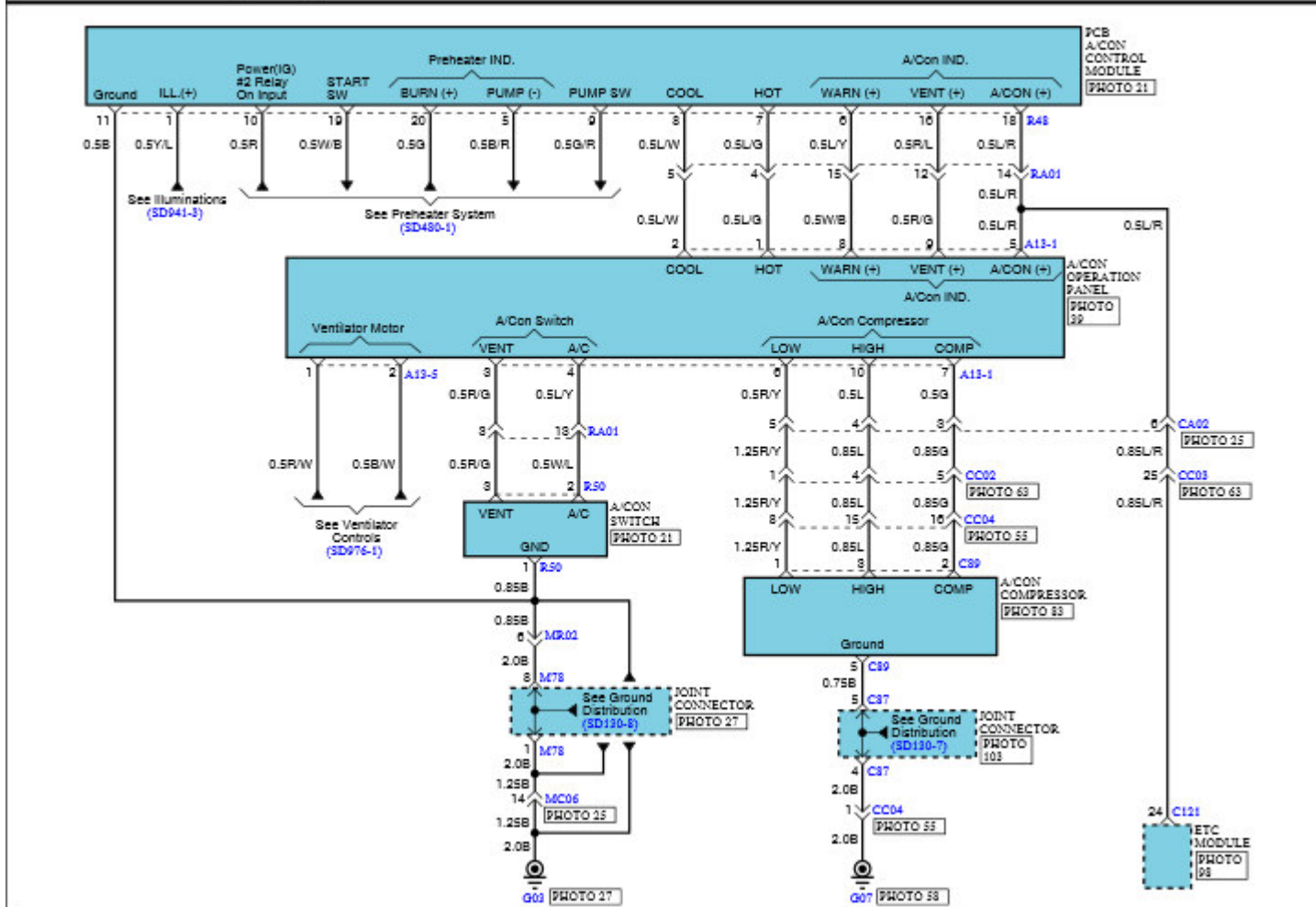
M38



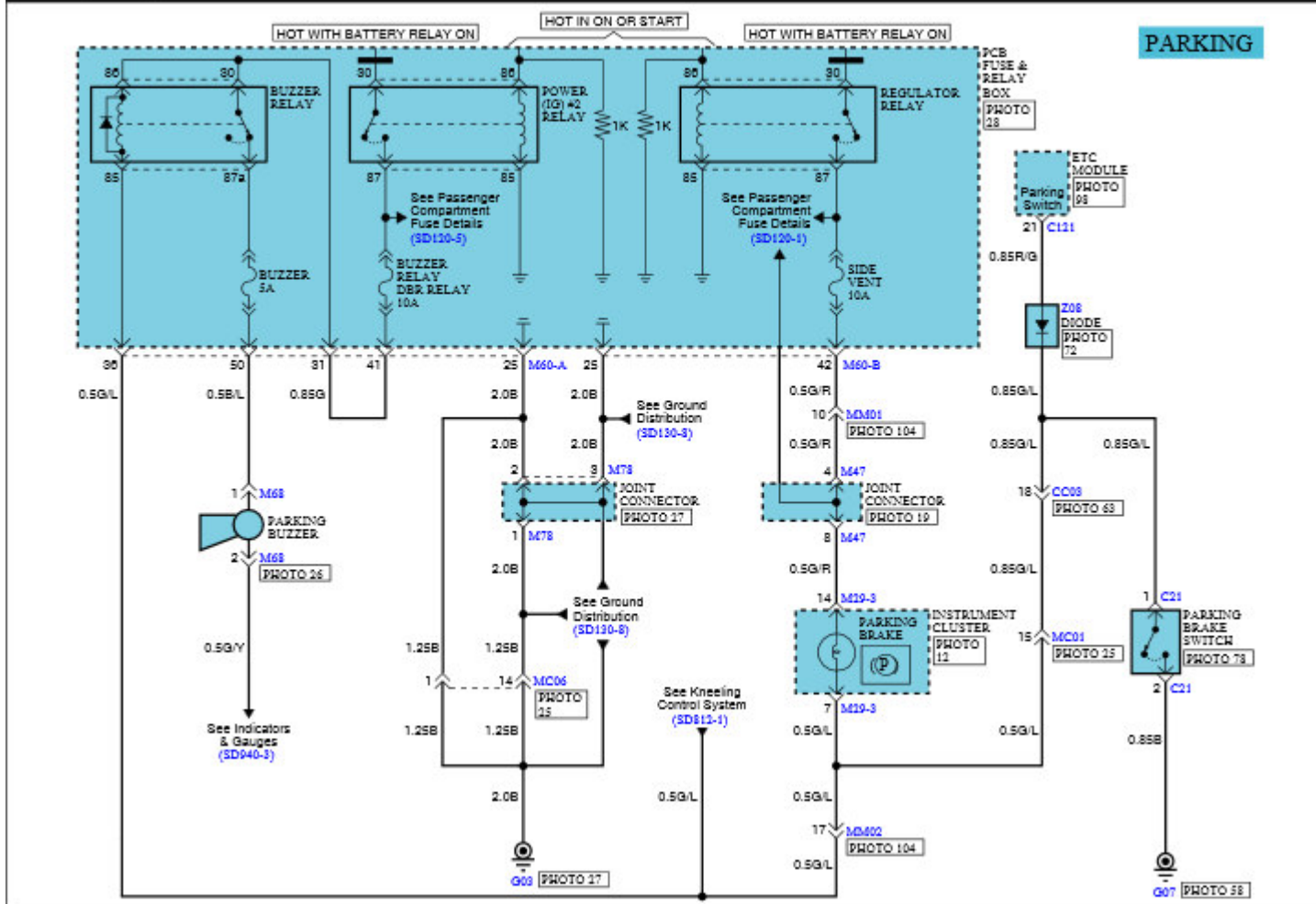
CR08F003



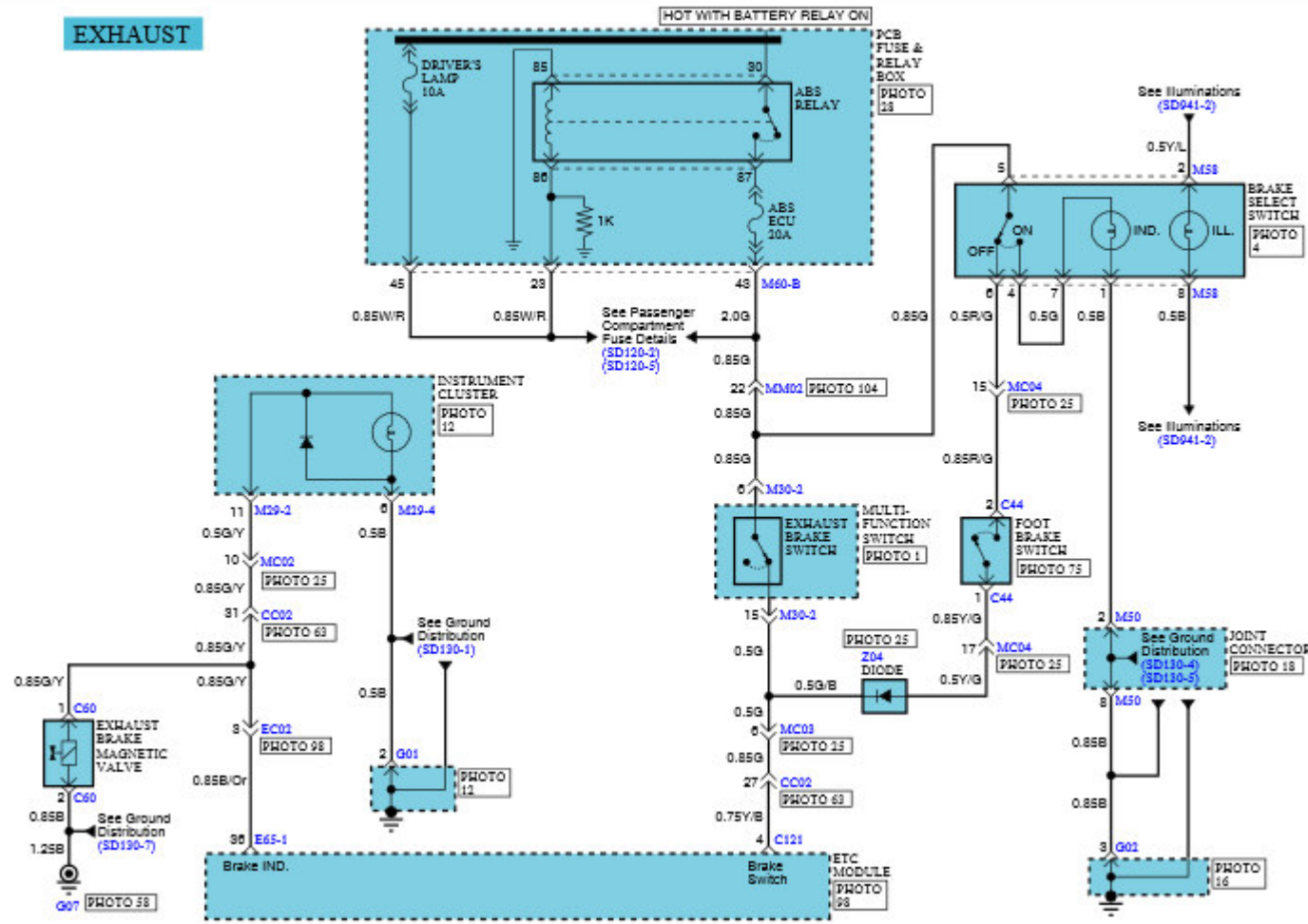




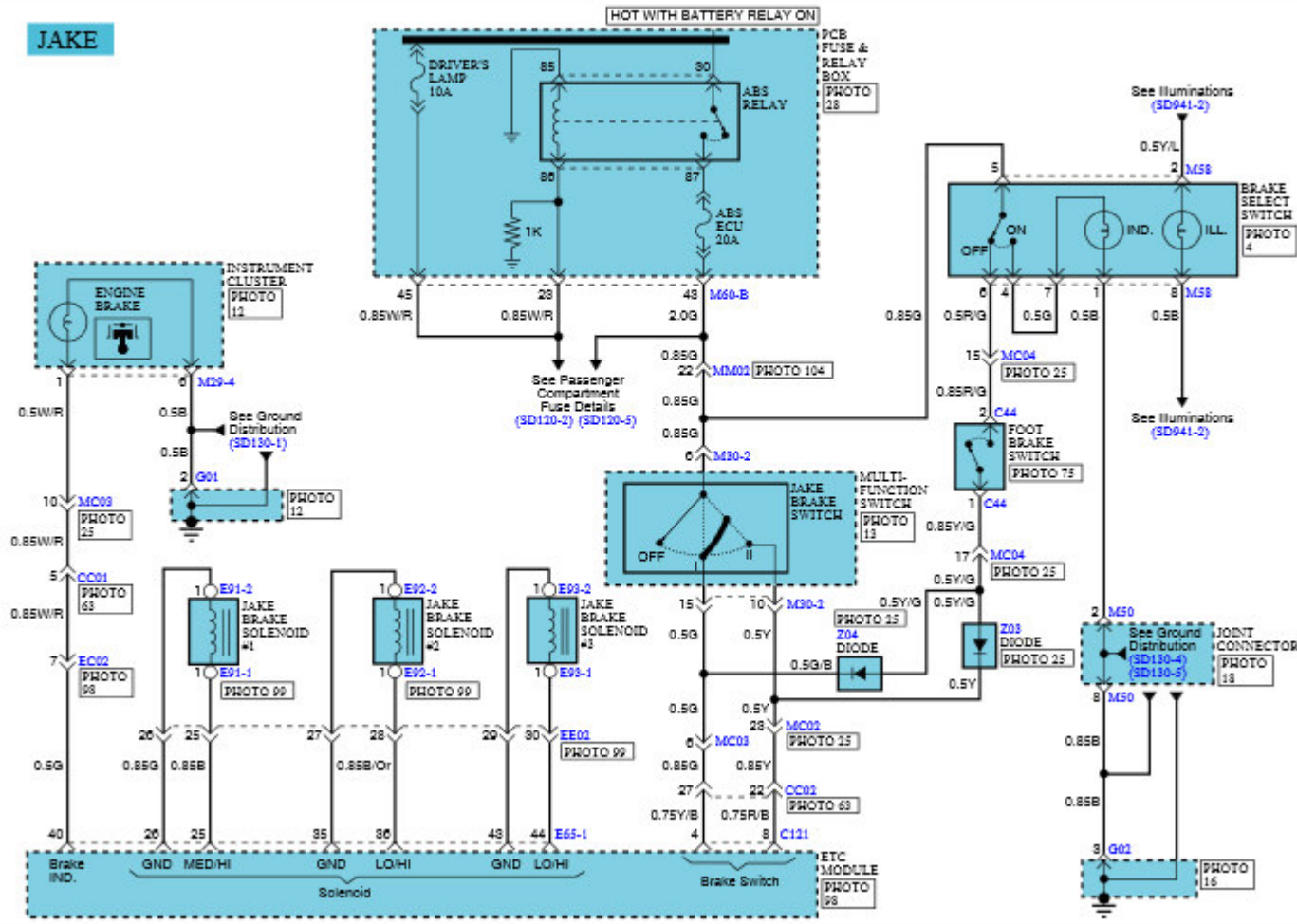
<p>A13-1</p> <p>MNK_DL_10F</p>	<p>A13-2</p> <p>MNK_DL_6F</p>	<p>A13-3</p> <p>FBH_L_2F</p>	<p>A13-4</p> <p>FBH_L_2F</p>
<p>A13-5</p> <p>CR03F073</p>	<p>C26</p> <p>CR01F034</p>	<p>C30</p> <p>NMWP_6F</p>	<p>C40-1</p> <p>CR01F034</p>
<p>C40-2</p> <p>CR01F034</p>	<p>C41</p> <p>NMWP_2F</p>	<p>C39</p> <p>NMWP_6F</p>	<p>BLANK</p>
<p>C121</p> <p>CR62F032</p>	<p>M63</p> <p>CR65F022</p>	<p>R48</p> <p>SP_25F</p>	
<p>R49</p> <p>MNK_DL_6M</p>	<p>R50</p> <p>MCD_AL_3F</p>	<p>BLANK</p>	<p>BLANK</p>

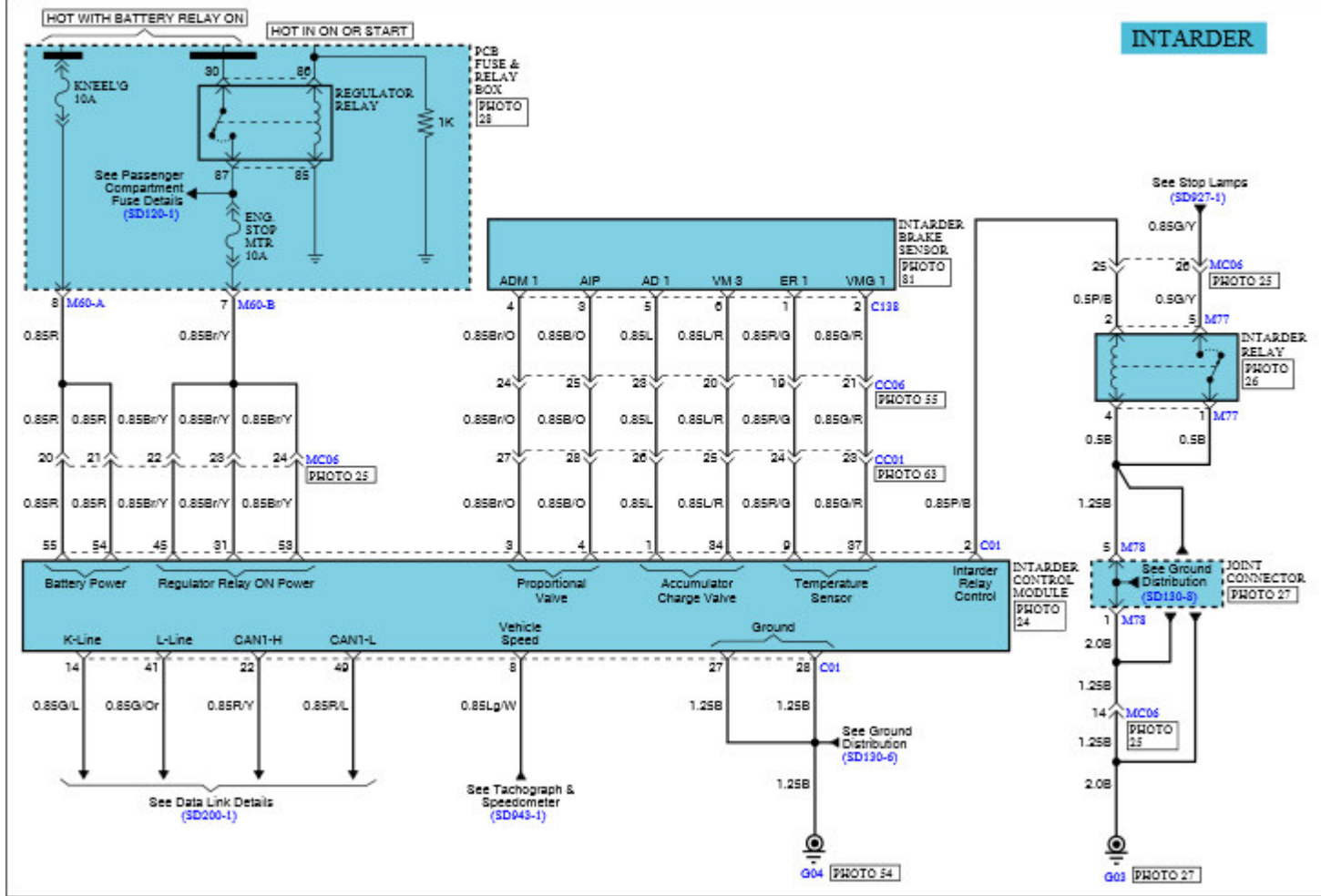


**EXHAUST**



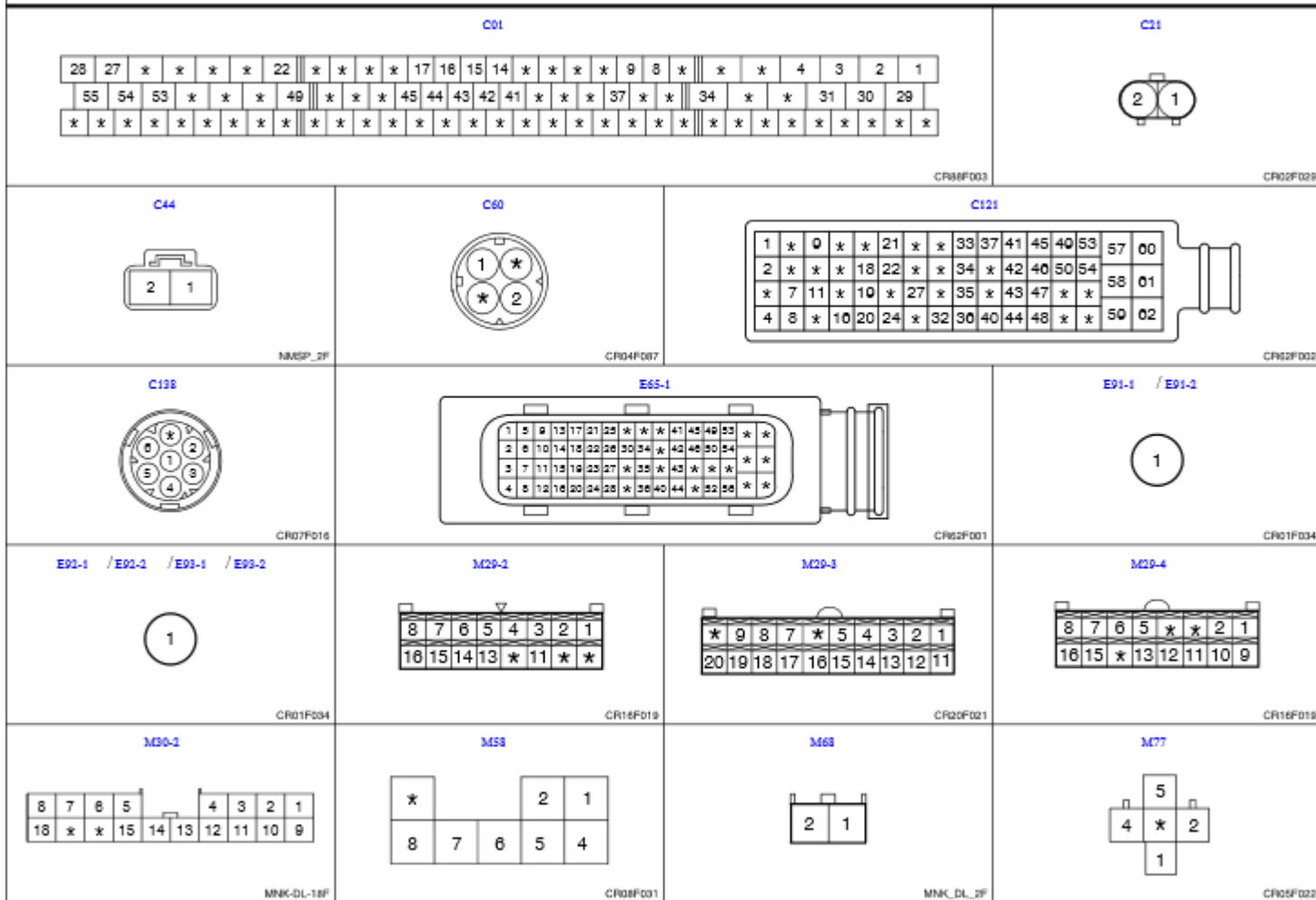
**JAKE**

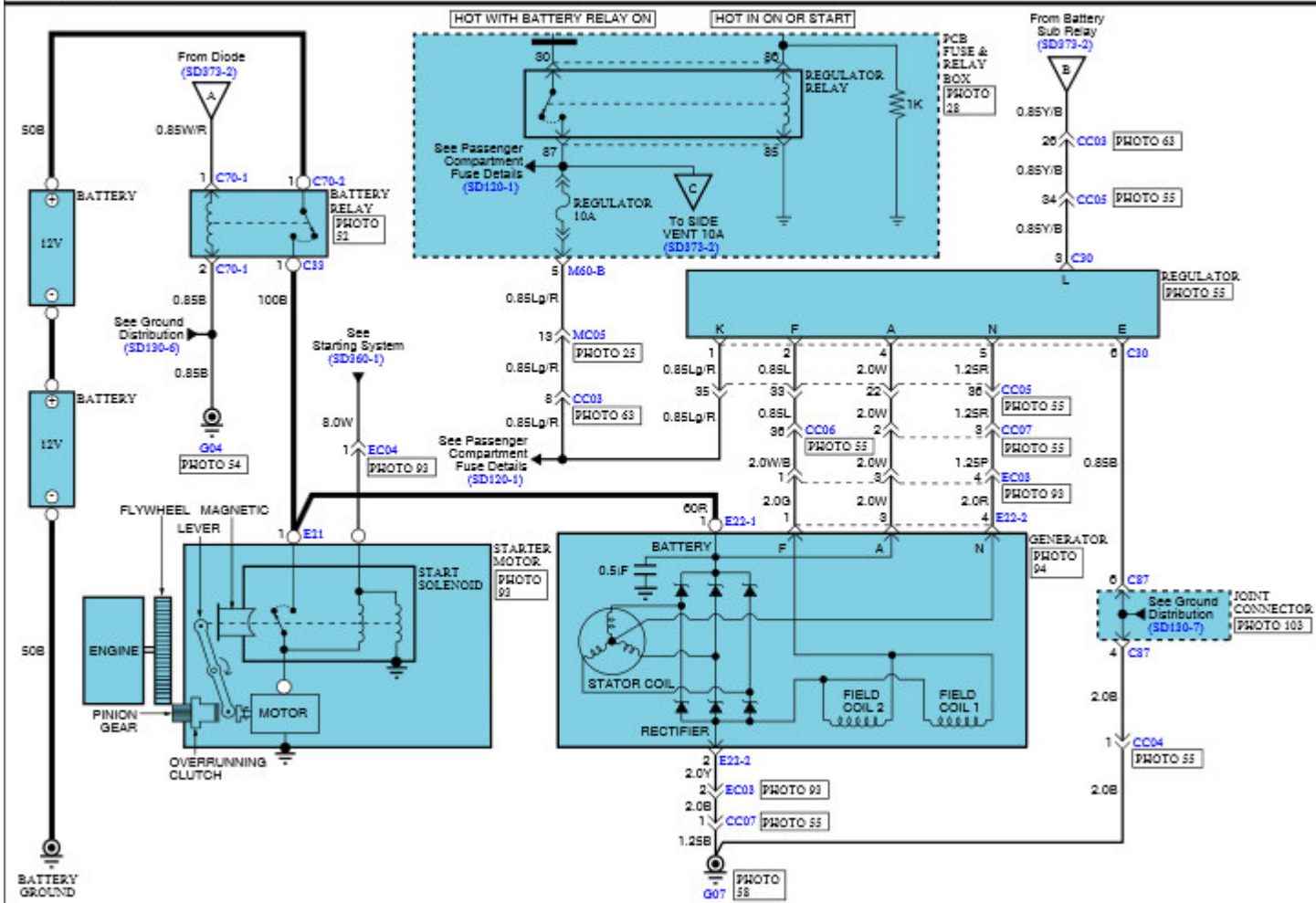










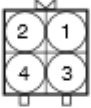
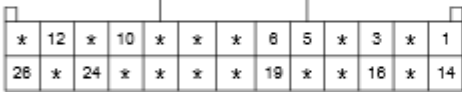
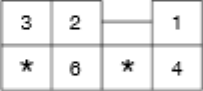
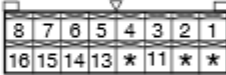
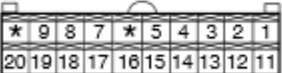
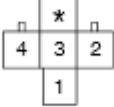
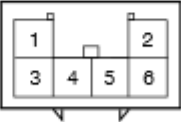






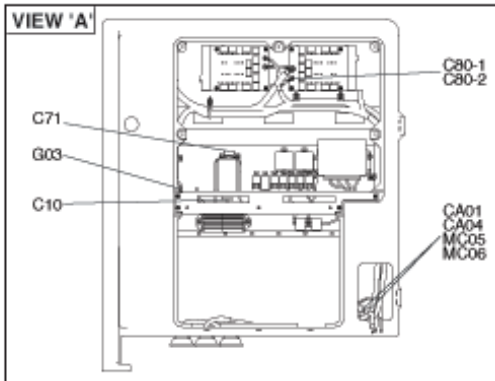
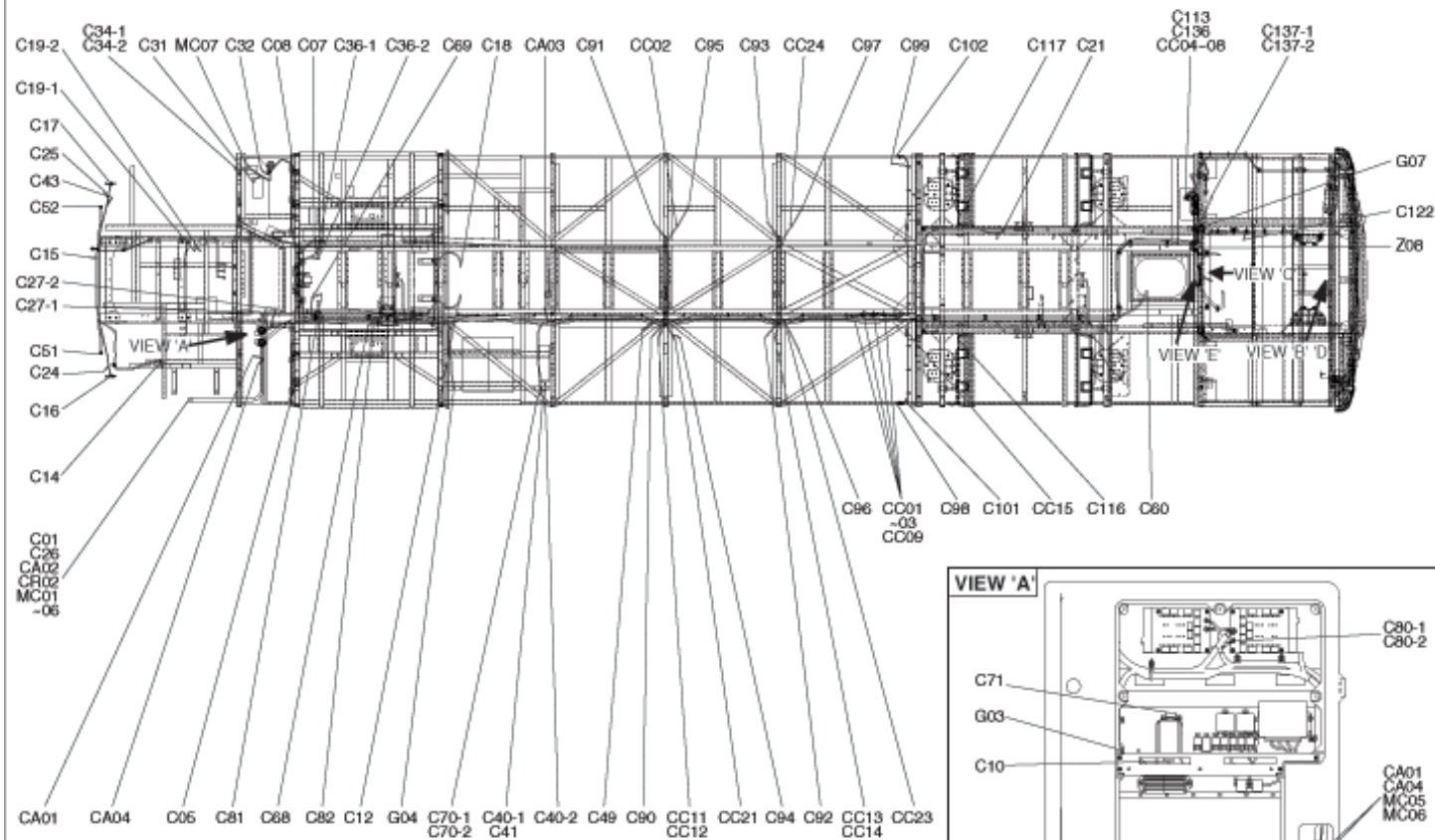




<p><b>C30</b></p>  <p>NMWP_6F</p>	<p><b>C33</b></p>  <p>CR01F034</p>	<p><b>C70-1</b></p>  <p>NMSP_2F</p>	<p><b>C70-2</b></p>  <p>CR01F034</p>
<p><b>E21</b></p>  <p>CR01F034</p>	<p><b>E22-1</b></p>  <p>CR01F034</p>	<p><b>E22-2</b></p>  <p>CR04F027</p>	<p>BLANK</p>
<p><b>M09-3</b></p>  <p>CR26F016</p>		<p><b>M23</b></p>  <p>PA_7F</p>	<p><b>M29-2</b></p>  <p>CR16F019</p>
<p><b>M29-3</b></p>  <p>CR20F021</p>	<p><b>M63</b></p>  <p>CR06F022</p>	<p><b>B49</b></p>  <p>MNK_DL_6M</p>	<p>BLANK</p>

Chassis Harness (1)

HL-5





## CHASSIS HARNESS

C01 Intarder Control Module  
 C02 Horn  
 C03 Fuel Heater Relay #1  
 C04 Front Stop Lamp Switch  
 C05 Side Turn Signal Lamp LH  
 C06 Rear Stop Lamp Switch  
 C07 Aisle LED Step Lamp  
 C08 Turn Signal Lamp RH  
 C09-1 Fuel Heater Relay Fuse #1(25A)  
 C09-2 Fuel Heater Relay Fuse #1(25A)  
 C10 Auto Grease Module  
 C11 Fuel Heater Relay #2  
 C12 Air Pressure Switch #2  
 C13-1 Fuel Heater Relay Fuse #2(25A)  
 C13-2 Fuel Heater Relay Fuse #2(25A)  
 C14 Clutch Switch  
 C15 Ambient Sensor  
 C16 Front Combination Lamp LH  
 C17 Front Combination Lamp RH  
 C18 Low Air Pressure Switch #1  
 C19-1 LED Step Lamp #1  
 C19-2 LED Step Lamp #2  
 C20 CAN Resistor  
 C24 Front Turn Signal Lamp LH  
 C25 Front Turn Signal Lamp RH  
 C26 Cooler B+  
 C27-1 Gang Way Molding Lamp LH  
 C27-2 Gang Way Molding Lamp LH  
 C31 Refrigerator  
 C32 Fuel Gauge  
 C33 Battery Relay ON  
 C34-1 Door Solenoid Valve  
 C34-2 Door Solenoid Valve  
 C35 Battery Fuse Box  
 C36-1 Gang Way Molding Lamp RH  
 C36-2 Gang Way Molding Lamp RH  
 C40-1 A/Con Relay  
 C40-2 A/Con Relay  
 C41 A/Con Relay  
 C43 Ventilator Motor  
 C44 Foot Brake Switch  
 C49 Driver Luggage Lamp  
 C51 Fog Lamp LH  
 C52 Fog Lamp RH  
 C62 Front Lining Sensor LH  
 C69 Front Lining Sensor RH  
 C70-1 Battery Relay  
 C70-2 Battery Relay

C71 Front Diagnosis Connector  
 C80-1 PCB B+  
 C80-2 PCB B+  
 C81 Kneeling Magnetic Valve RH  
 C82 Kneeling Magnetic Valve LH  
 CA01 Connection With ABS Harness  
 CA02 Connection With A/Con Harness  
 CA03 Connection With Heater Harness  
 CA04 Connection With ABS Harness  
 CC01 Connection With Chassis No.2 Harness  
 CC02 Connection With Chassis No.2 Harness  
 CC03 Connection With Chassis No.2 Harness  
 CC09 Connection With Chassis No.2 Harness  
 CC11 Connection With Front Luggage Lamp Harness  
 CC12 Connection With Front Luggage Lamp Harness  
 CC13 Connection With Rear Luggage Lamp Harness  
 CC14 Connection With Rear Luggage Lamp Harness  
 CR02 Connection With HVAC Harness  
 MC01 Connection With Front Harness  
 MC02 Connection With Front Harness  
 MC03 Connection With Front Harness  
 MC04 Connection With Front Harness  
 MC05 Connection With PCB Harness  
 MC06 Connection With PCB Harness  
 MC07 Connection With Door Harness  
 G03 Ground  
 G04 Ground

## FRONT LUGGAGE LAMP HARNESS (LH-RH)

C90 Front Luggage Lamp LH  
 C91 Front Luggage Lamp RH  
 CC11 Connection With Chassis No.1 Harness  
 CC12 Connection With Chassis No.1 Harness  
 CC21 Connection With Side Marker Lamp LH Harness  
 CC22 Connection With Side Marker Lamp RH Harness

## REAR LUGGAGE LAMP HARNESS (LH-RH)

C92 Rear Luggage Lamp LH  
 C93 Rear Luggage Lamp RH  
 CC13 Connection With Chassis No.1 Harness  
 CC14 Connection With Chassis No.1 Harness  
 CC23 Connection With Side Marker Lamp LH Harness  
 CC24 Connection With Side Marker Lamp RH Harness

## WHEEL LAMP HARNESS(LH-RH)

C98 Side Marker Lamp LH #3  
 C99 Side Marker Lamp RH #3  
 C101 Wheel Lamp LH  
 C102 Wheel Lamp RH  
 CC15 Connection With Chassis No.2 Harness

## CHASSIS NO.2 HARNESS

C21 Parking Brake Switch  
 C45-1 Oil Press Sender  
 C45-2 Oil Press Sender  
 C60 Exhaust Brake Magnetic Valve  
 C121 ETC Module  
 C122 Fuel Heater  
 C116 Rear Lining Sensor LH  
 C117 Rear Lining Sensor RH  
 CC01 Connection With Chassis No.1 Harness  
 CC02 Connection With Chassis No.1 Harness  
 CC03 Connection With Chassis No.1 Harness  
 CC04 Connection With Rear Chassis Harness  
 CC05 Connection With Rear Chassis Harness  
 CC06 Connection With Rear Module Harness  
 CC07 Connection With Rear Module Harness  
 CC08 Connection With Rear Module Harness  
 CC09 Connection With Chassis No.1 Harness  
 CC15 Connection With Wheel Lamp Harness  
 EC02 Connection With Engine Harness  
 G07 Ground  
 Z08 Diode

## FRONT SIDE MARKER LAMP HARNESS (LH)

C94 Side Marker Lamp LH #1  
 CC21 Connection With Luggage Lamp Harness

## FRONT SIDE MARKER LAMP HARNESS (RH)

C95 Side Marker Lamp RH #1  
 CC22 Connection With Side Marker Lamp Rh Harness

## REAR SIDE MARKER LAMP HARNESS (LH)

C96 Side Marker Lamp LH #2  
 CC23 Connection With Luggage Lamp Harness

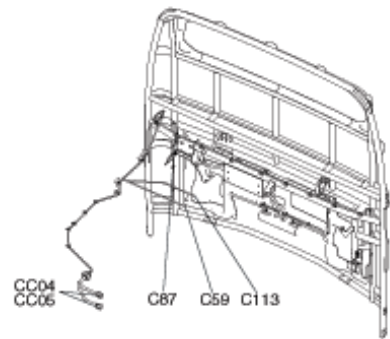
## REAR SIDE MARKER LAMP HARNESS (RH)

C97 Side Marker Lamp RH #2  
 CC24 Connection With Luggage Lamp Harness

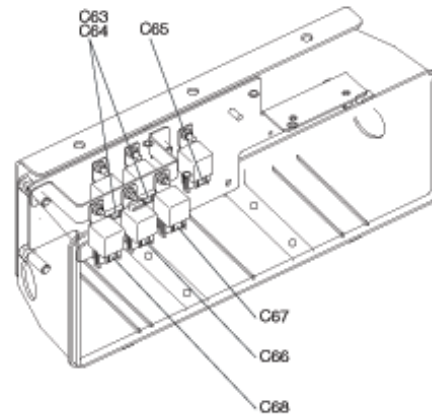
### Chassis Harness (3)

HL-7

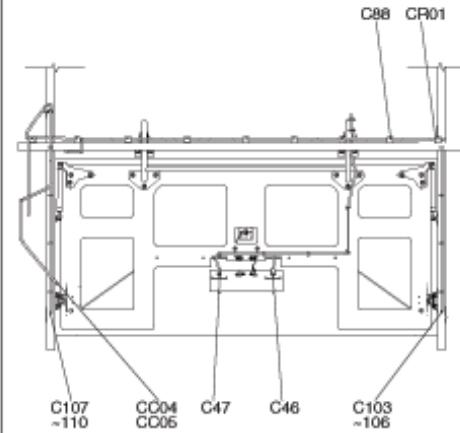
VIEW 'B'



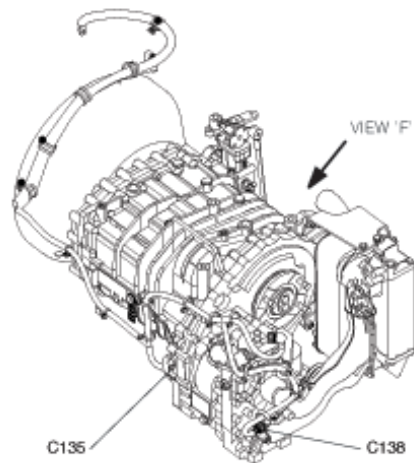
VIEW 'C'



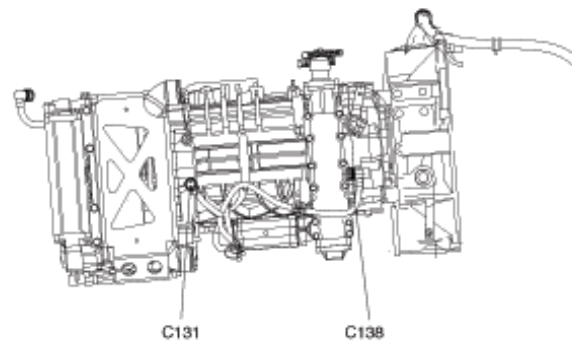
VIEW 'D'



VIEW 'E'



VIEW 'F'



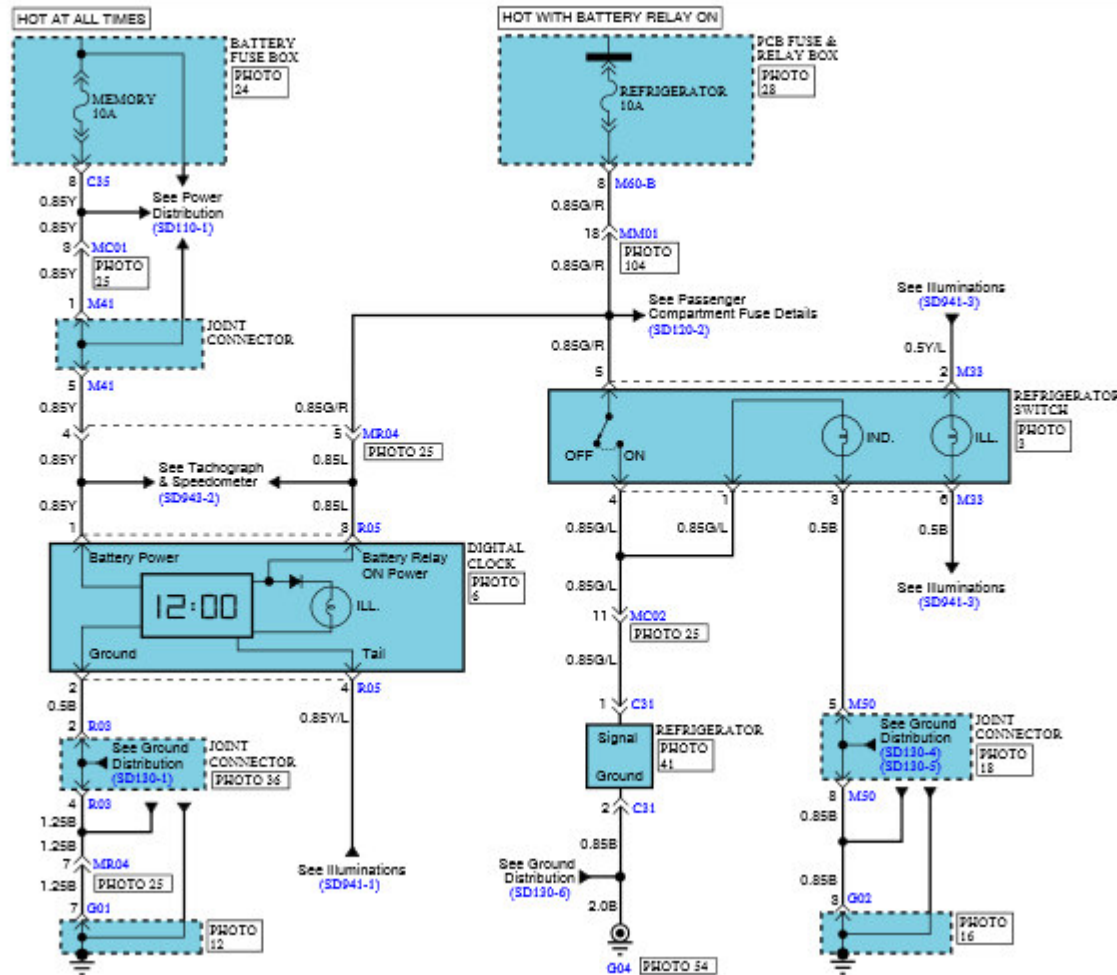


## REAR CHASSIS HARNESS

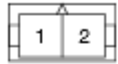
C30 Regulator  
 C46 License Lamp LH  
 C47 License Lamp RH  
 C59 Dust Indicator Sensor  
 C63 Stop Lamp Relay #1  
 C64 Stop Lamp Relay #2  
 C65 Brake Relay  
 C66 Air Heater Sub Relay  
 C67 Engine Relay  
 C68 Start Sub Relay  
 C72 Rear Diagnosis Connector  
 C73 Safety Switch  
 C74 ETC Check Switch  
 C76 Engine Stop Switch  
 C77 Engine Room Lamp Switch  
 C79 Engine RPM Up/Down Switch  
 C86 Engine Room Lamp  
 C87 Joint Connector  
 C88 Joint Connector  
 C89 A/Con Compressor  
 C103 Rear Stop & Tail Lamp LH #1  
 C104 Rear Stop & Tail Lamp LH#2  
 C105 Rear Turn Signal Lamp LH  
 C106 Back-Up Lamp LH  
 C107 Rear Stop & Tail Lamp RH #1  
 C108 Rear Stop & Tail Lamp RH #2  
 C109 Rear Turn Signal Lamp RH  
 C110 Back-Up Lamp RH  
 C113 Mass Air Flow Sensor  
 CC04 Connection With Chassis No.2 Harness  
 CC05 Connection With Chassis No.2 Harness  
 CR01 Connection With Fan Clutch Harness  
 Z14 Diode  
 Z15 Diode

## REAR MODULE HARNESS

C131 Neutral Switch  
 C133 Air Dryer  
 C134 Back-Up Lamp Switch  
 C135 Speed Sensor  
 C136 Air Pressure Sensor  
 C137-1 Start Relay  
 C137-2 Start Relay  
 C138 Intarder Brake Sensor  
 CC06 Connection With Chassis No.2 Harness  
 CC07 Connection With Chassis No.2 Harness  
 CC08 Connection With Chassis No.2 Harness  
 EC03 Connection With Generator Harness  
 EC04 Connection With Start Motor Harness

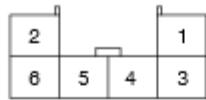


C31



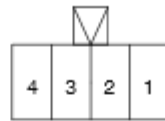
MN\_SI\_2M

M33



MNK\_DL\_6F

R05



CR04F002

BLANK

PHOTO.1

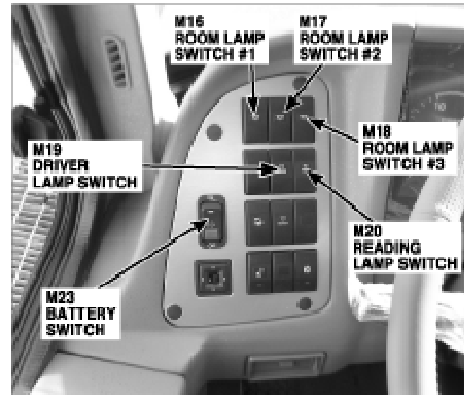


PHOTO.2

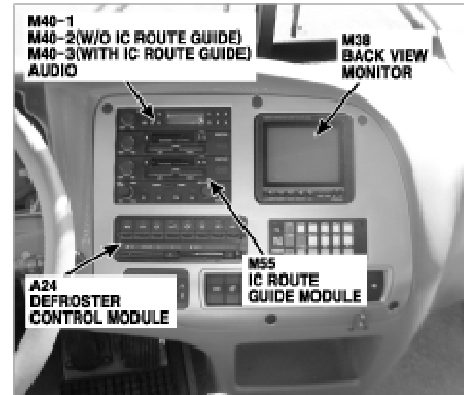


PHOTO.3

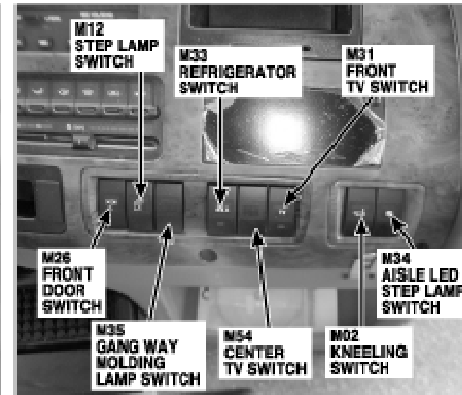


PHOTO.4

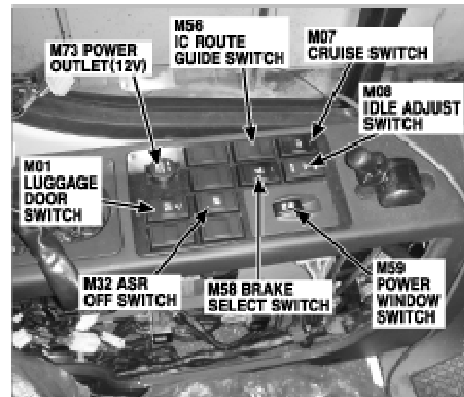


PHOTO.5



PHOTO.6

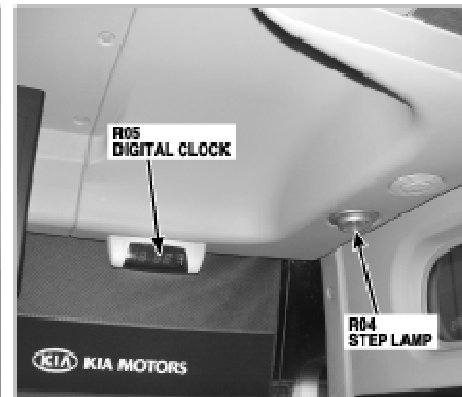


PHOTO.7

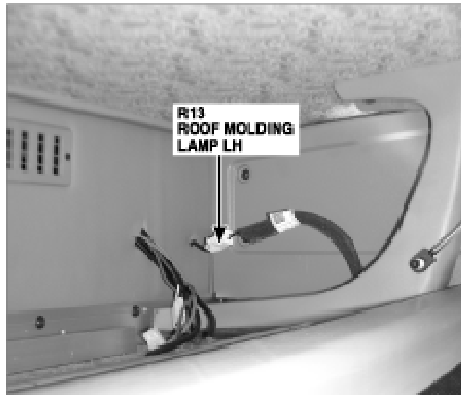


PHOTO.8

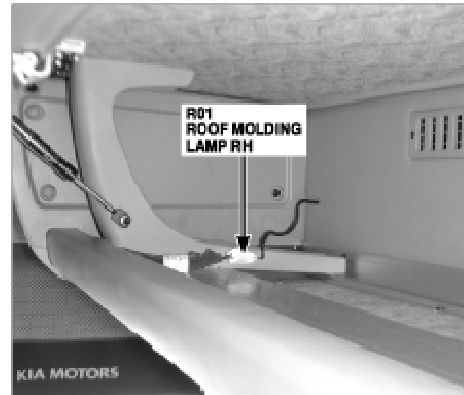


PHOTO.9

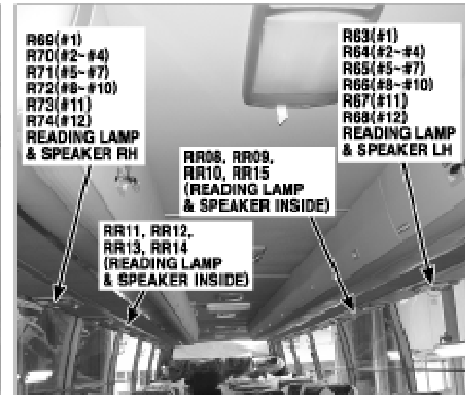


PHOTO.10



PHOTO.11



PHOTO.12

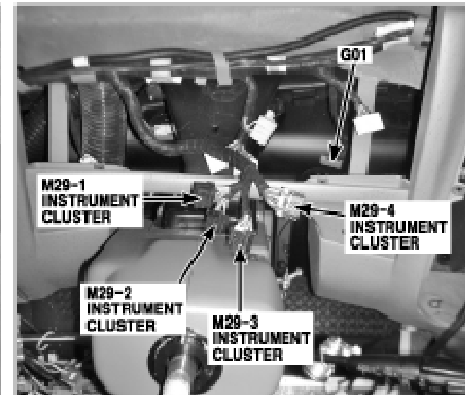


PHOTO.13

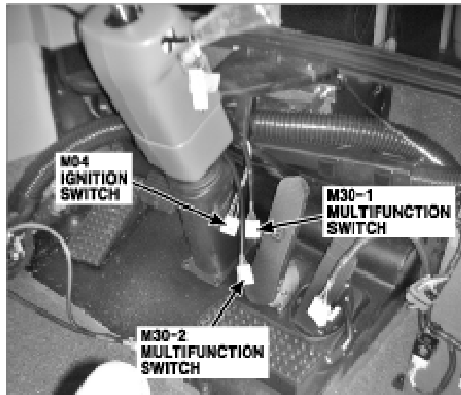


PHOTO.14

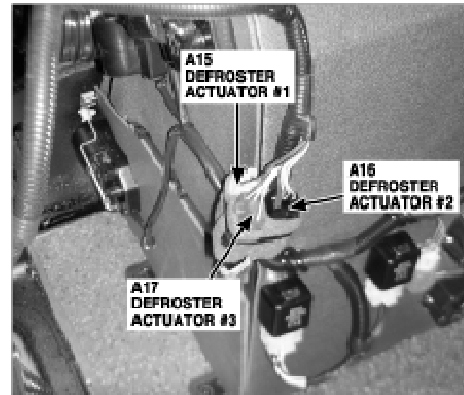


PHOTO.15

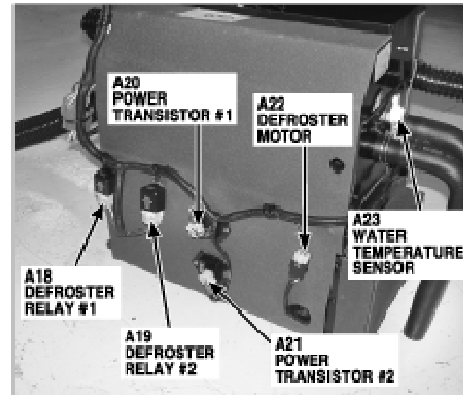


PHOTO.16

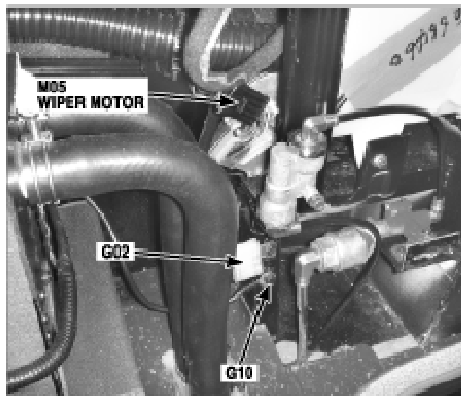


PHOTO.17



PHOTO.18

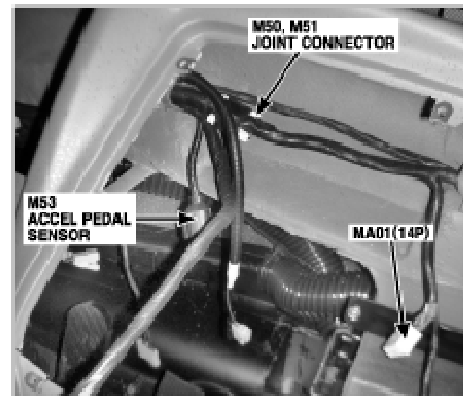


PHOTO.19

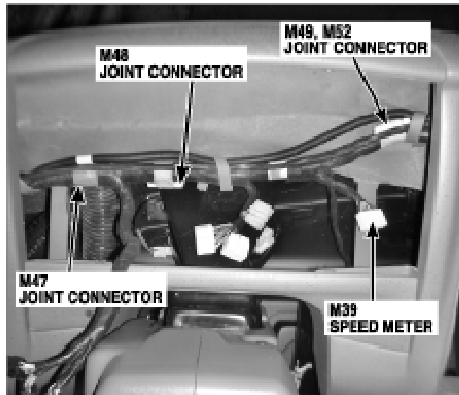


PHOTO.20

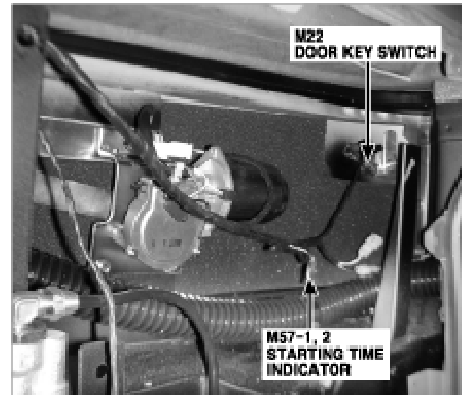


PHOTO.21

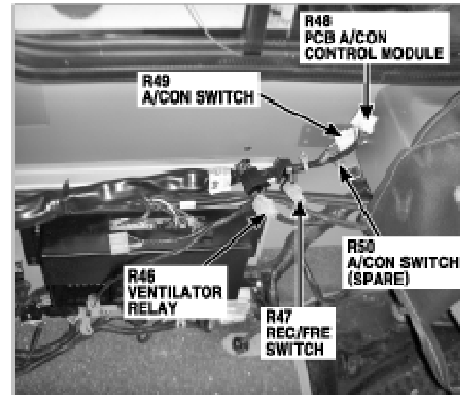


PHOTO.22



PHOTO.23



PHOTO.24

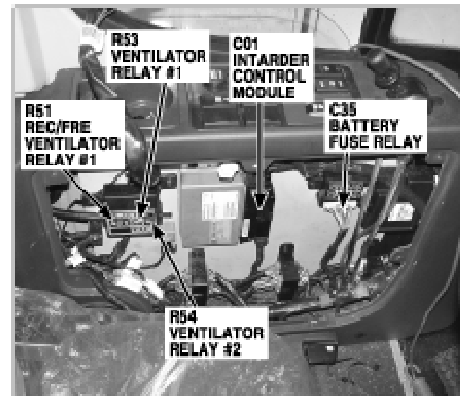


PHOTO.25

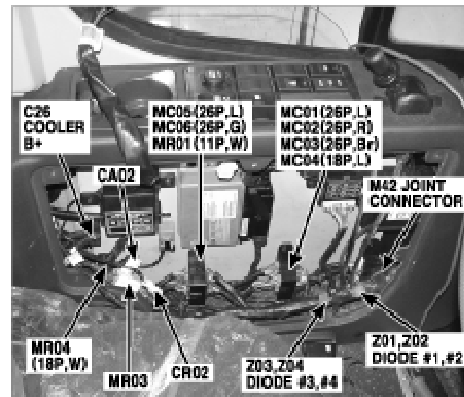


PHOTO.26

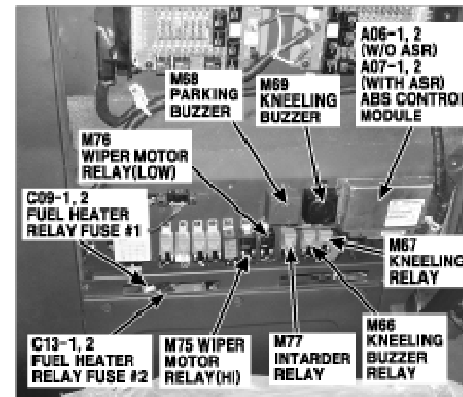


PHOTO.27

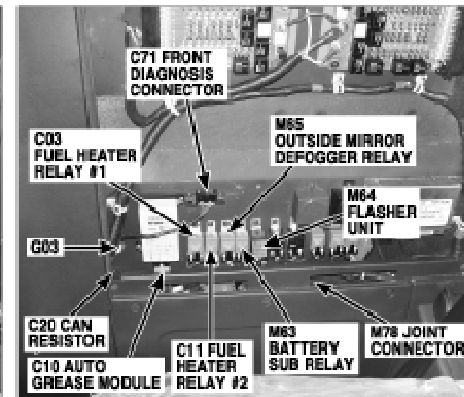


PHOTO.28

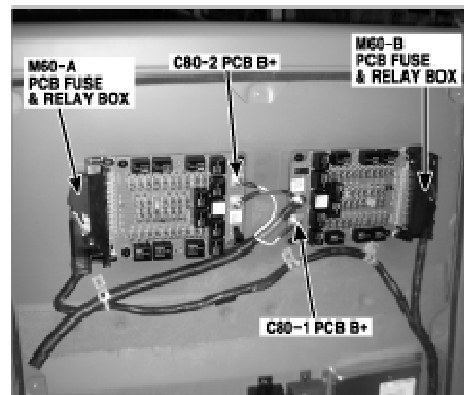


PHOTO.29

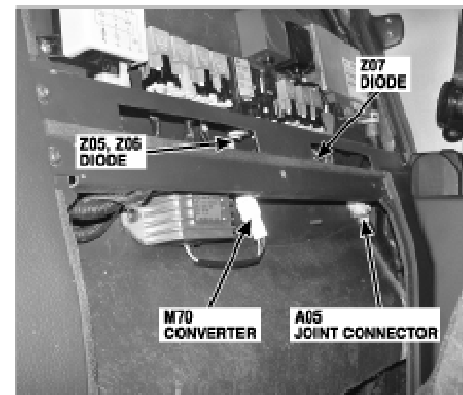


PHOTO.30

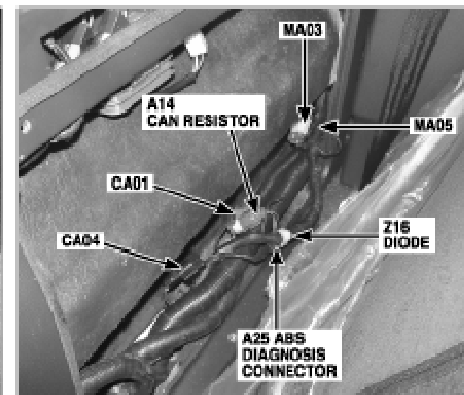




PHOTO.31

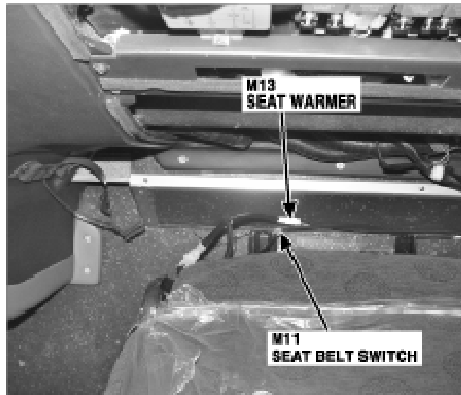


PHOTO.32

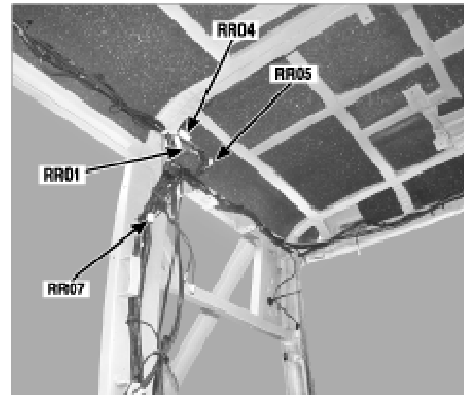


PHOTO.33

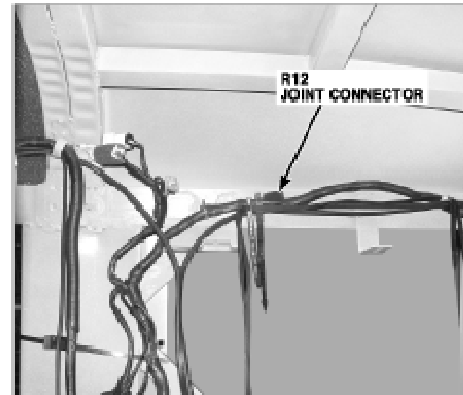


PHOTO.34



PHOTO.35



PHOTO.36

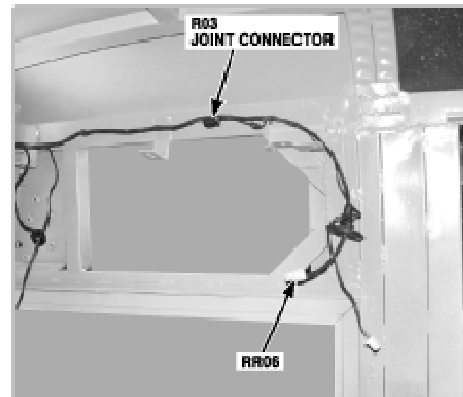


PHOTO.37



PHOTO.38



PHOTO.39

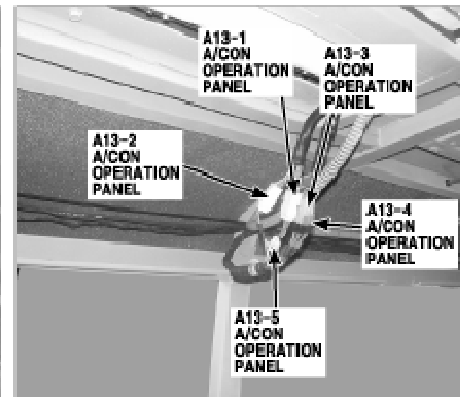


PHOTO.40

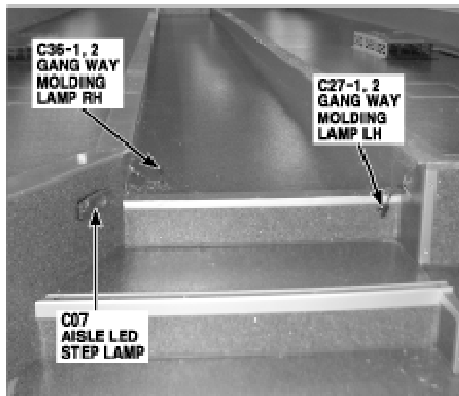


PHOTO.41

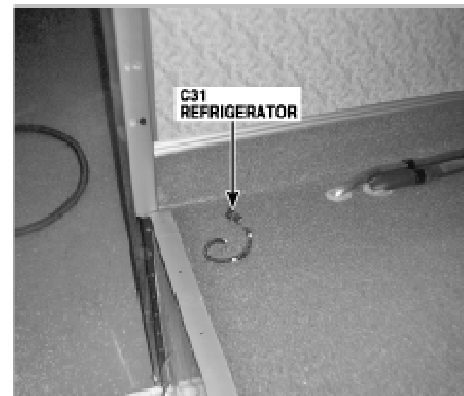


PHOTO.42



PHOTO.43

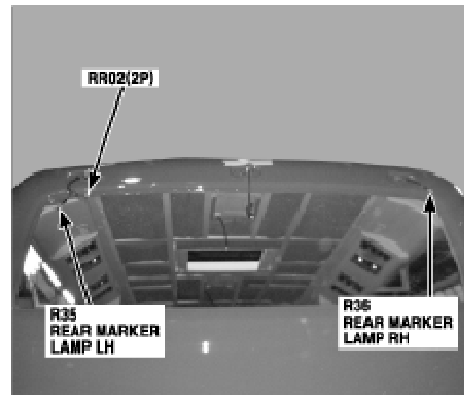


PHOTO.44

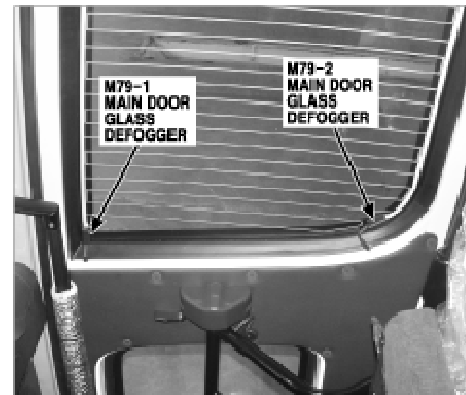


PHOTO.45

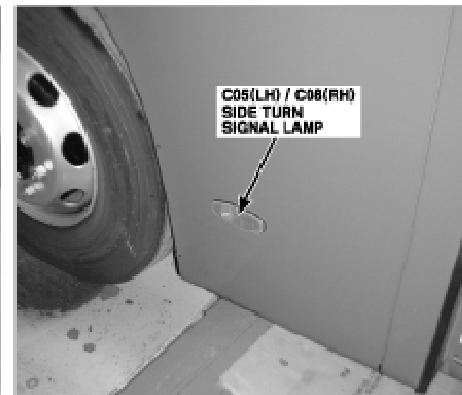


PHOTO.46



PHOTO.47

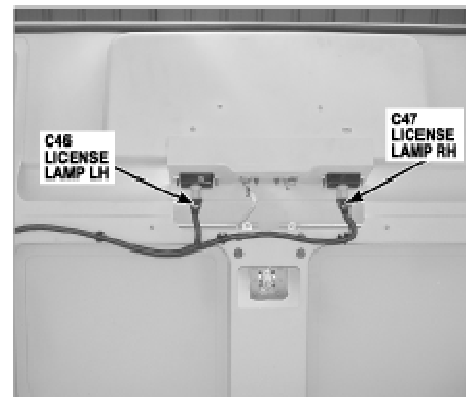


PHOTO.48

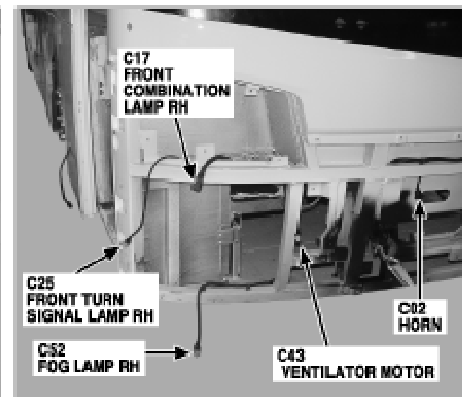


PHOTO.49

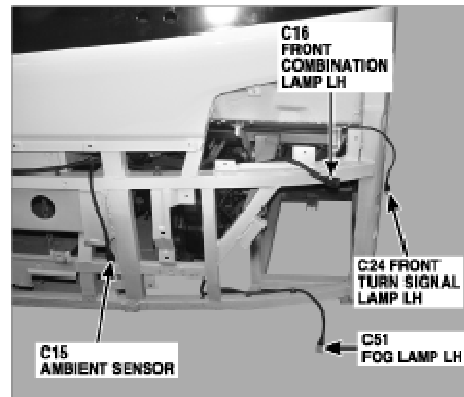


PHOTO.50



PHOTO.51



PHOTO.52

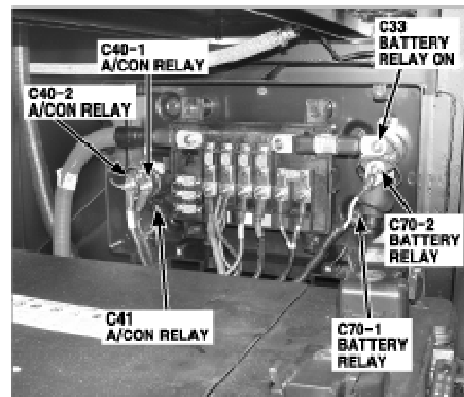


PHOTO.53

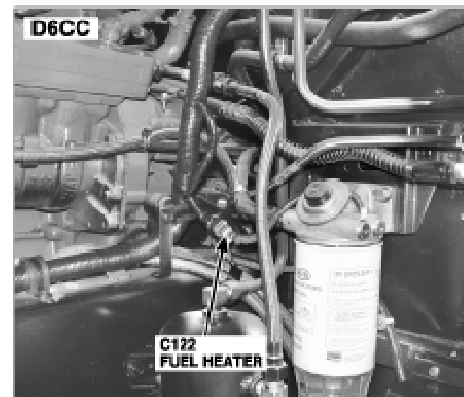


PHOTO.54

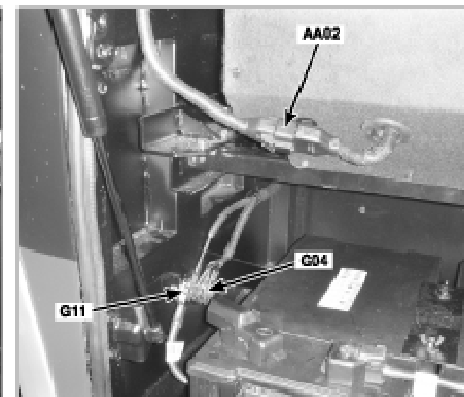


PHOTO.55

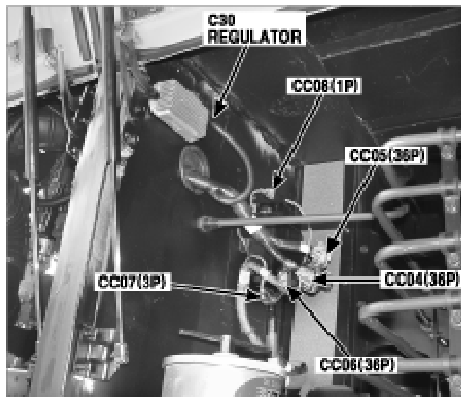


PHOTO.56

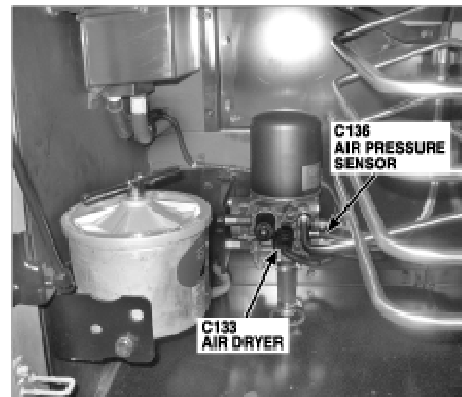


PHOTO.57

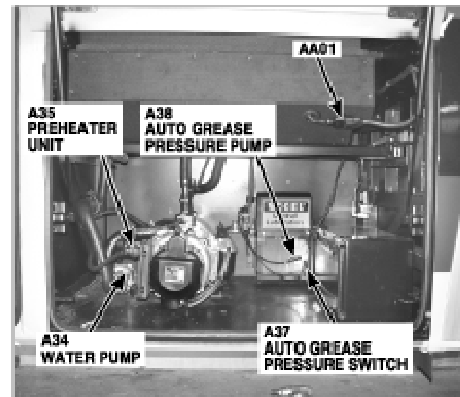


PHOTO.58

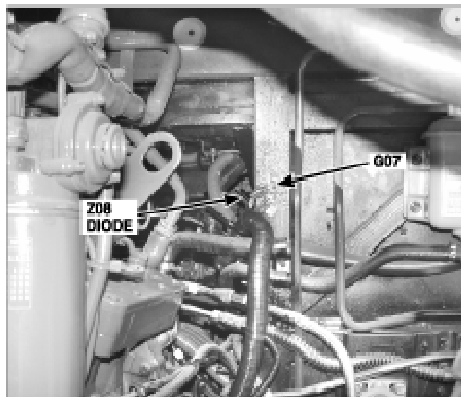


PHOTO.59

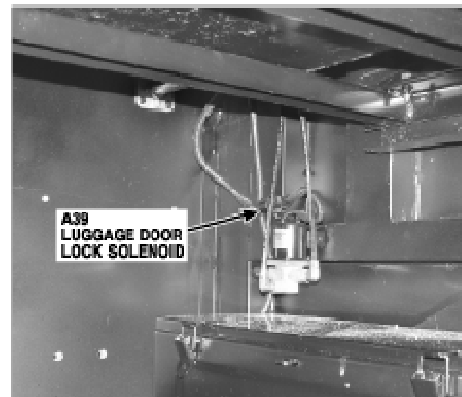
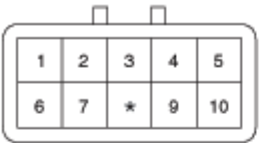
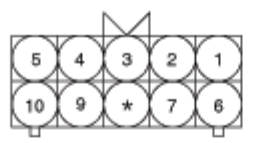
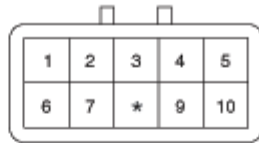
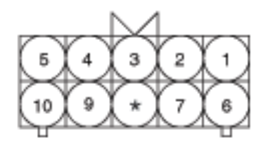

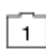
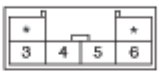



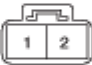
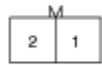







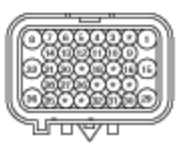


PHOTO.60






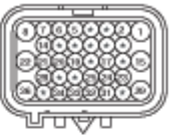
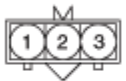





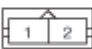
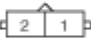
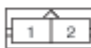
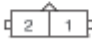
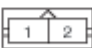
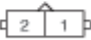
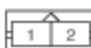



Harness Connectors (1)

CC-1

<p><b>AA01</b></p>  <p>NMWP_10M</p>  <p>NMWP_10F</p>	<p><b>AA02</b></p>  <p>NMWP_10M</p>  <p>NMWP_10F</p>
<p><b>CA01</b></p>  <p>MC_AL_1M</p>  <p>MC_AL_1F</p>	<p><b>CA02</b></p>  <p>MNK-DL-4M</p>  <p>MNK-DL-4F</p>
<p><b>CA03</b></p>  <p>JPT_36M</p>  <p>JPT_36F</p>	<p><b>CA04</b></p>  <p>NMWP_2M</p>  <p>NMWP_2F</p>
<p><b>CC01</b></p>  <p>JPT_36M</p>  <p>JPT_36F</p>	<p><b>CC02</b></p>  <p>JPT_36M</p>  <p>JPT_36F</p>
<p><b>CC03</b></p>  <p>JPT_36M</p>  <p>JPT_36F</p>	<p><b>CC04</b></p>  <p>JPT_36M</p>  <p>JPT_36F</p>

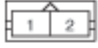
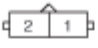

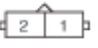
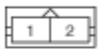
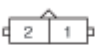
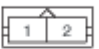
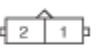
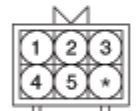
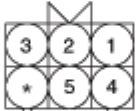


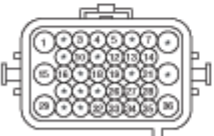

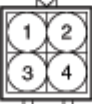



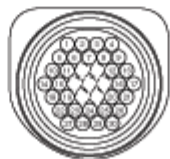
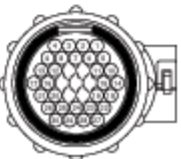
Harness Connectors (2)

CC-2

<p><b>CC05</b></p>  <p>JPT_36M</p>  <p>JPT_36F</p>	<p><b>CC06</b></p>  <p>JPT_36M</p>  <p>JPT_36F</p>
<p><b>CC07</b></p>  <p>CR03B019</p> 	<p><b>CC08</b></p>  <p>KET_312IWP_01M</p>  <p>KET_312IWP_01F</p>
<p><b>CC09</b></p>  <p>KET_312IWP_01M</p>  <p>KET_312IWP_01F</p>	<p><b>CC11</b></p>  <p>MN-SL-2M</p>  <p>MN-SL-2F</p>
<p><b>CC12</b></p>  <p>MN-SL-2M</p>  <p>MN-SL-2F</p>	<p><b>CC13</b></p>  <p>MN-SL-2M</p>  <p>MN-SL-2F</p>
<p><b>CC14</b></p>  <p>MN-SL-2M</p>  <p>MN-SL-2F</p>	<p><b>CC15</b></p>  <p>NMWP-4M</p>  <p>NMWP-4F</p>

Harness Connectors (3)

CC-3

<p style="text-align: center;"><b>CC21</b></p> <div style="display: flex; justify-content: space-around; align-items: center;"> <div style="text-align: center;">  <p>MN-SL-2M</p> </div> <div style="text-align: center;">  <p>MN-SL-2F</p> </div> </div>	<p style="text-align: center;"><b>CC22</b></p> <div style="display: flex; justify-content: space-around; align-items: center;"> <div style="text-align: center;">  <p>MN-SL-2M</p> </div> <div style="text-align: center;">  <p>MN-SL-2F</p> </div> </div>
<p style="text-align: center;"><b>CC23</b></p> <div style="display: flex; justify-content: space-around; align-items: center;"> <div style="text-align: center;">  <p>MN-SL-2M</p> </div> <div style="text-align: center;">  <p>MN-SL-2F</p> </div> </div>	<p style="text-align: center;"><b>CC24</b></p> <div style="display: flex; justify-content: space-around; align-items: center;"> <div style="text-align: center;">  <p>MN-SL-2M</p> </div> <div style="text-align: center;">  <p>MN-SL-2F</p> </div> </div>
<p style="text-align: center;"><b>CR01</b></p> <div style="display: flex; justify-content: space-around; align-items: center;"> <div style="text-align: center;">  <p>CR06B001</p> </div> <div style="text-align: center;">  <p>CR06B001</p> </div> </div>	<p style="text-align: center;"><b>CR02</b></p> <div style="display: flex; justify-content: space-around; align-items: center;"> <div style="text-align: center;">  <p>CR03B019</p> </div> <div style="text-align: center;">  <p>CR03B019</p> </div> </div>
<p style="text-align: center;"><b>EC02</b></p> <div style="display: flex; justify-content: space-around; align-items: center;"> <div style="text-align: center;">  <p>JPT_36M</p> </div> <div style="text-align: center;">  <p>JPT_36F</p> </div> </div>	<p style="text-align: center;"><b>EC03</b></p> <div style="display: flex; justify-content: space-around; align-items: center;"> <div style="text-align: center;">  <p>CR04B007</p> </div> <div style="text-align: center;">  <p>CR04B007</p> </div> </div>
<p style="text-align: center;"><b>EC04</b></p> <div style="display: flex; justify-content: space-around; align-items: center;"> <div style="text-align: center;">  <p>CR01B028</p> </div> <div style="text-align: center;">  <p>CR01B028</p> </div> </div>	<p style="text-align: center;"><b>EE02</b></p> <div style="display: flex; justify-content: space-around; align-items: center;"> <div style="text-align: center;">  <p>CR30B001</p> </div> <div style="text-align: center;">  <p>CR30B001</p> </div> </div>



### Harness Connectors (4)

CC-4

#### MA01



MNK-DL-14M



MNK-DL-14F

#### MA03

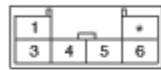


MCD-AL-4M



MCD-AL-4F

#### MA05



MNK-DL-6M



MNK-DL-6F

#### MC01



AMP\_09011\_26M



AMP\_09011\_26F

#### MC02



AMP\_09011\_26M



AMP\_09011\_26F

#### MC03



AMP\_09011\_26M



AMP\_09011\_26F

#### MC04



AMP\_09011\_16M



AMP\_09011\_16F

#### MC05



AMP\_09011\_26M



AMP\_09011\_26F

#### MC06



AMP\_09011\_26M



AMP\_09011\_26F

#### MC07



MN-SL-2M



MN-SL-2F

# Harness Connectors (5)

CC-5

## MM01



AMP\_090H\_26M



AMP\_090H\_26F

## MM02

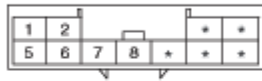


AMP\_090H\_26M



AMP\_090H\_26F

## MR01

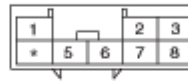


MNK-DL-11M

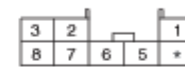


MNK-DL-11F

## MR02

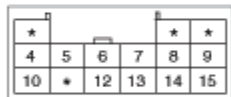


MNK-DL-8M

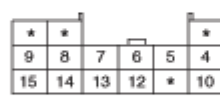


MNK-DL-8F

## MR03



MNK-DL-15M

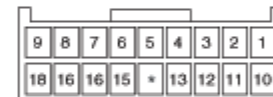


MNK-DL-15F

## MR04

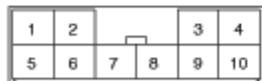


AMP\_090H\_18M

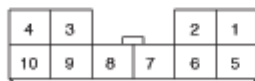


AMP\_090H\_18F

## MR05

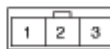


CR10B00S

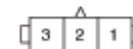


CR10B00S

## MR06



MN\_SL\_3M



MN\_SL\_3F

## MR07

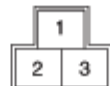


CR10B00S



CR10B00S

## MR08



MC-AL-3M



MC-AL-3F

Harness Connectors (6)

CC-6

RR01

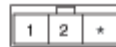


MNK-DL-15M

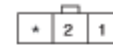


MNK-DL-16F

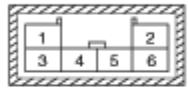
RA02



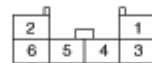
CR03B019



RR01



MNK-DL-06M



MNK-DL-06F

RR02

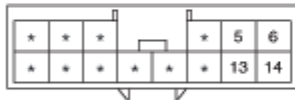


MSA-DL-2M



MSA-DL-2F

RR03

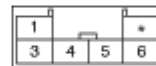


MNK-DL-14M

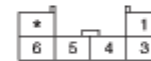


MNK-DL-14F

RR04



MNK-DL-6M



MNK-DL-6F

RR05

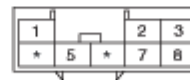


MNK-DL-6M



MNK-DL-6F

RR06



MNK-DL-8M



MNK-DL-8F

RR07

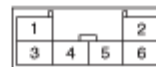


MNK-DL-8M



MNK-DL-8F

RR08



MNK-DL-6M



MNK-DL-6F

Harness Connectors (7)

CC-7

RR09



MNK-DL-6M



MNK-DL-6F

RR10



MNK-DL-6M

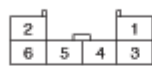


MNK-DL-6F

RR11



MNK-DL-6M

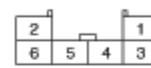


MNK-DL-6F

RR12

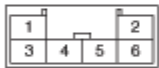


MNK-DL-6M

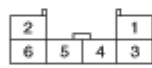


MNK-DL-6F

RR13

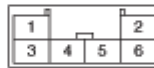


MNK-DL-6M

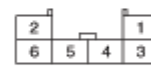


MNK-DL-6F

RR14

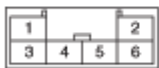


MNK-DL-6M



MNK-DL-6F

RR15



MNK-DL-6M



MNK-DL-6F

BLANK

Joint Connectors (1)

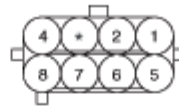
CC-8

**A05**



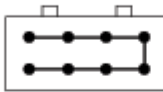
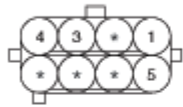
CR04F009

**C87**



CR08F008

**C88**



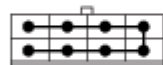
CR08F008

**M41**



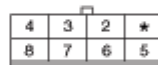
CR08F008

**M42**



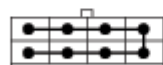
CR08F008

**M43**



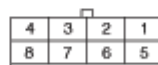
CR08F008

**M44**



CR08F008

**M45**



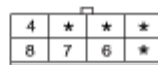
CR08F008

**M46**



CR08F008

**M47**



CR08F008

Joint Connectors (2)

CC-9

**M48**

4	3	2	1
★	7	6	★



CR08F008

**M49**

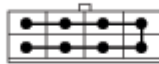
4	★	★	★
8	7	6	5



CR08F008

**M50**

4	3	2	1
8	7	6	5



CR08F008

**M51**

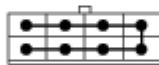
4	3	2	1
8	7	6	5



CR08F008

**M52**

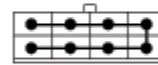
★	3	2	1
8	7	6	5



CR08F008

**M78**

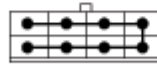
4	3	2	1
8	7	6	5



CR08F008

**R03**

4	3	2	1
★	7	★	★



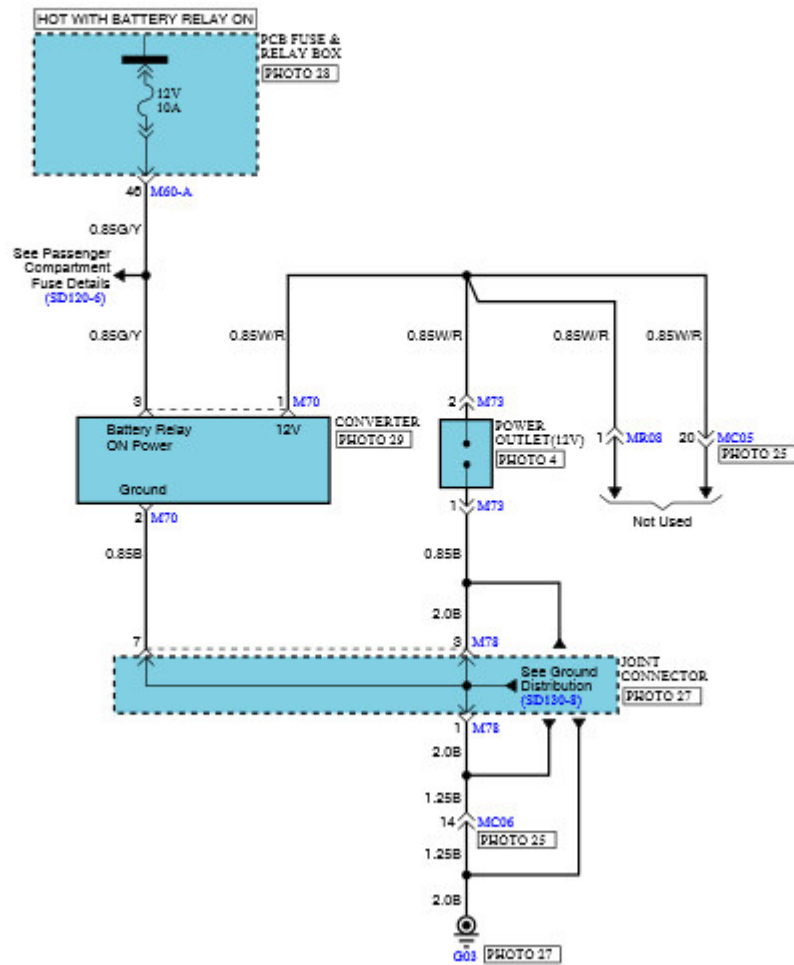
CR08F008

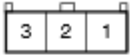
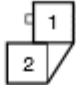
**R12**

4	3	★	1
8	7	★	5



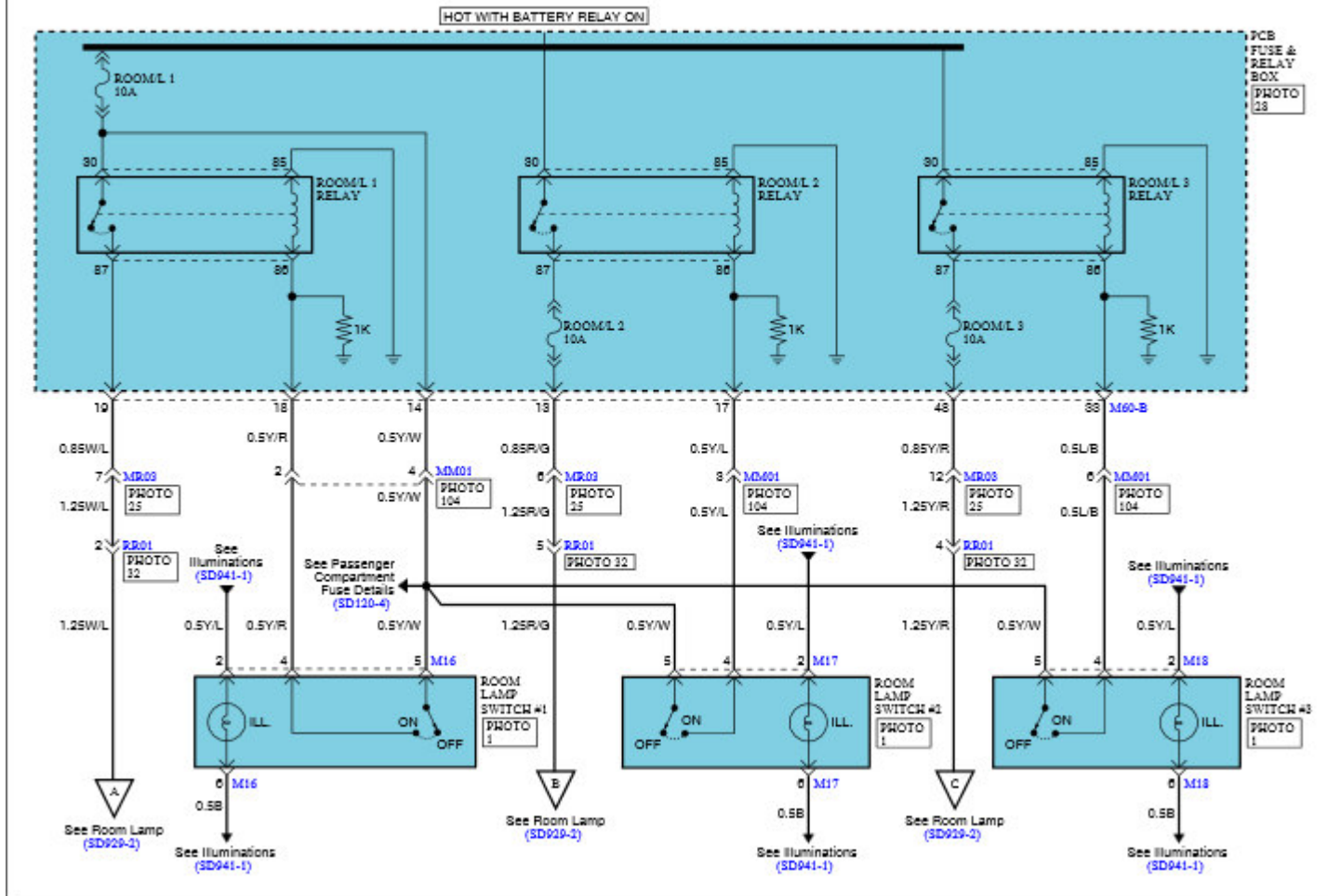
CR08F008

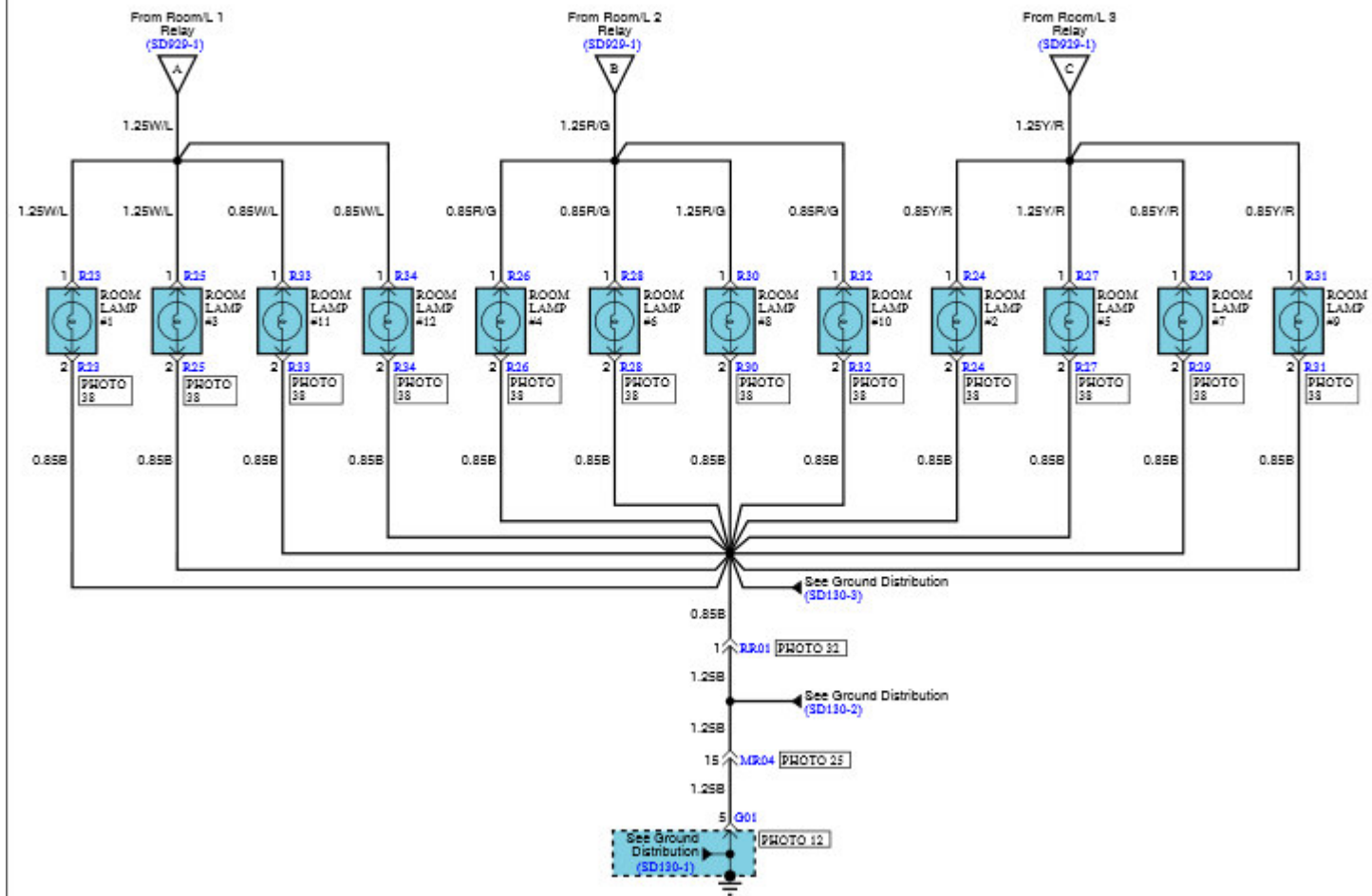


<p>M70</p>  <p>MNK_DL_3F</p>	<p>M73</p>  <p>GL_2F</p>	<p>BLANK</p>	<p>BLANK</p>
---	---	--------------	--------------

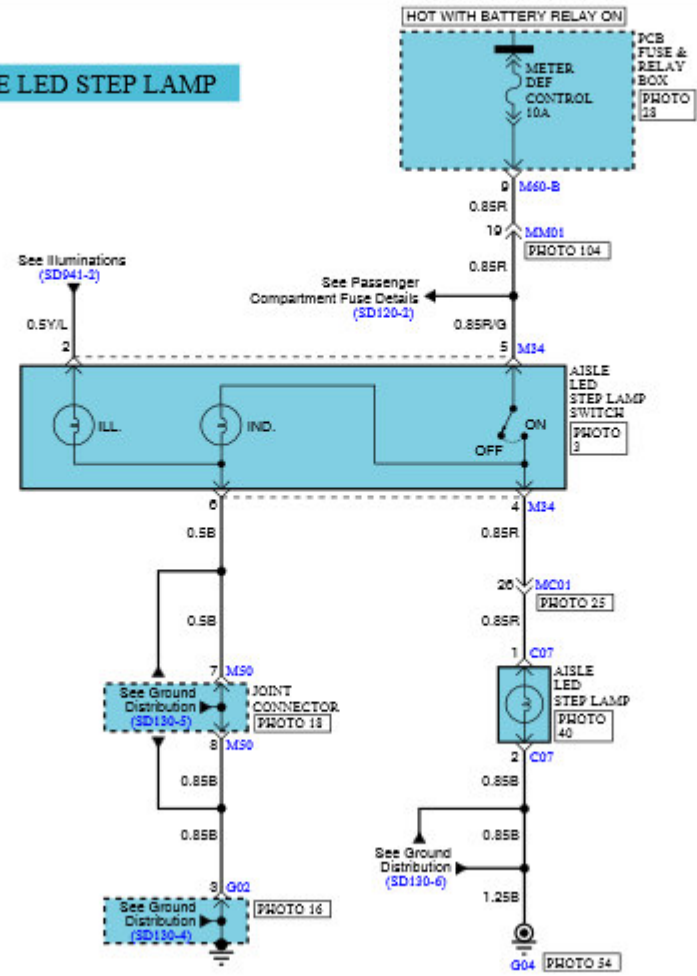







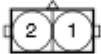
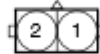
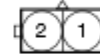
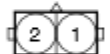
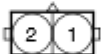
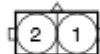
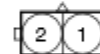
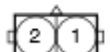
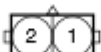
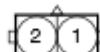
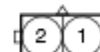
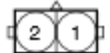


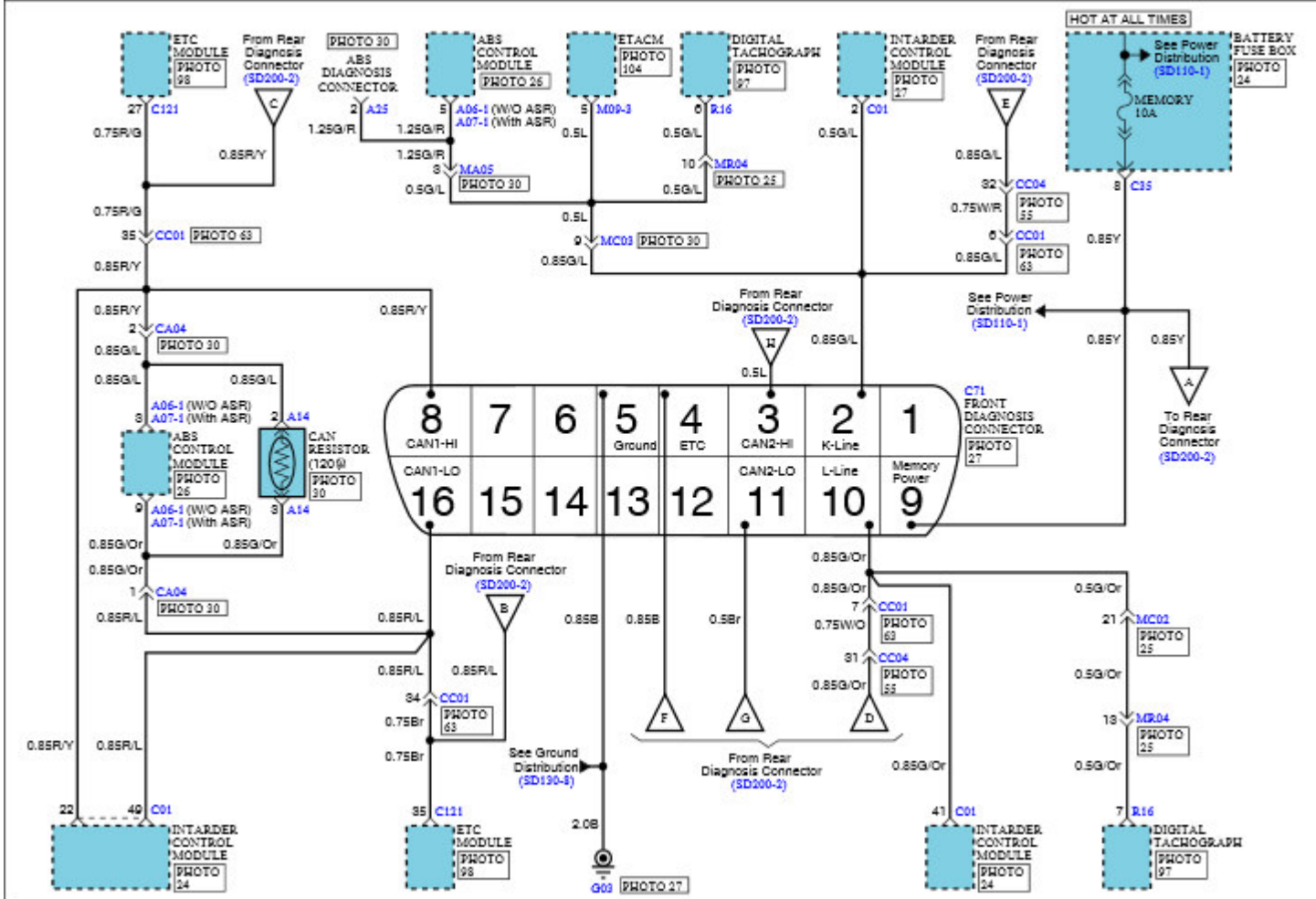


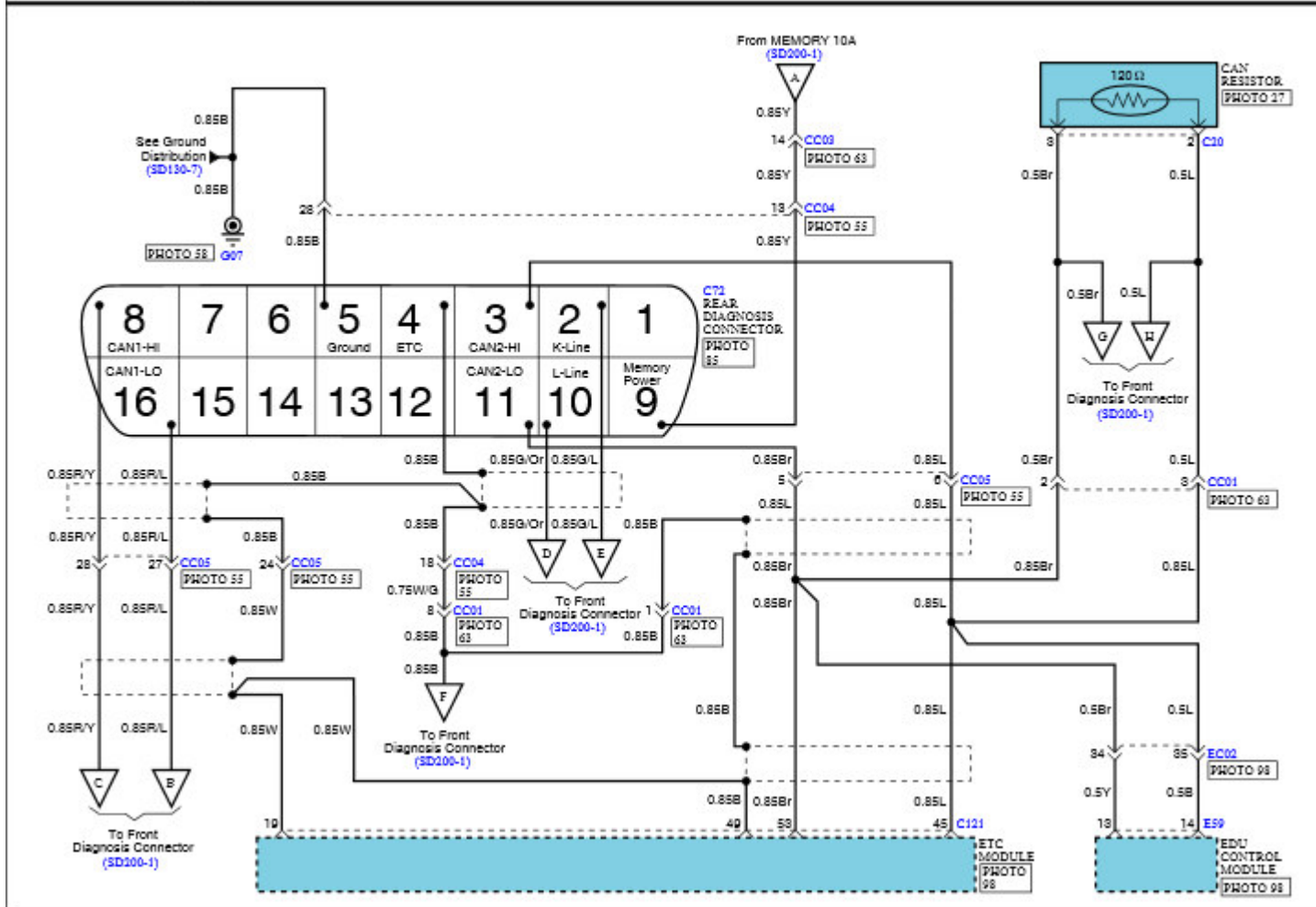


### AISLE LED STEP LAMP



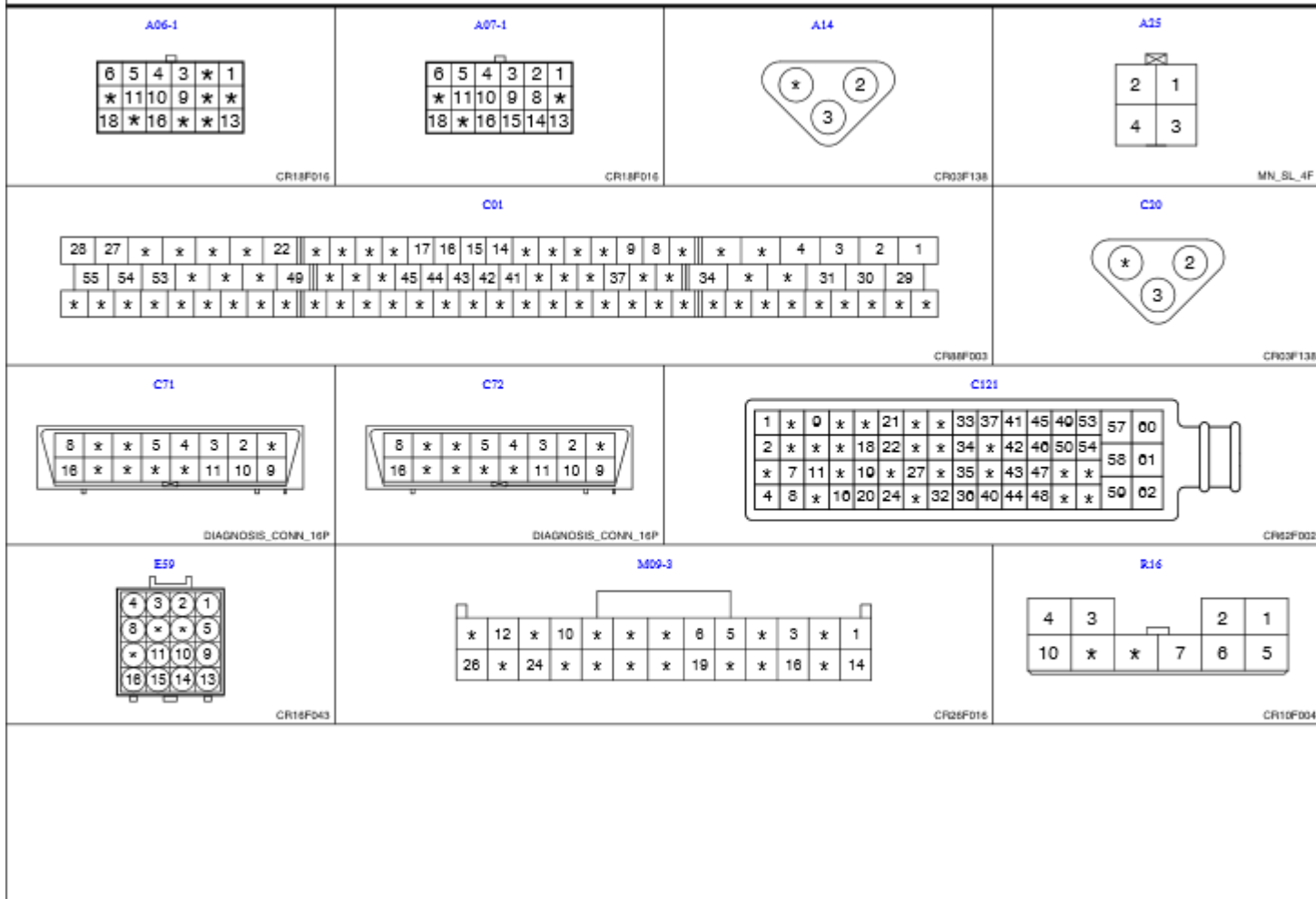
<p style="text-align: center; color: blue;">C07</p>  <p style="text-align: right; font-size: small;">MNWP_2F</p>	<p style="text-align: center; color: blue;">M16</p>  <p style="text-align: right; font-size: small;">MNK_DL_6F</p>	<p style="text-align: center; color: blue;">M17</p>  <p style="text-align: right; font-size: small;">MNK_DL_6F</p>	<p style="text-align: center; color: blue;">M18</p>  <p style="text-align: right; font-size: small;">MNK_DL_6F</p>
<p style="text-align: center; color: blue;">M34</p>  <p style="text-align: right; font-size: small;">MNK_DL_6F</p>	<p style="text-align: center; color: blue;">R23</p>  <p style="text-align: right; font-size: small;">MN_SL_2F</p>	<p style="text-align: center; color: blue;">R24</p>  <p style="text-align: right; font-size: small;">MN_SL_2F</p>	<p style="text-align: center; color: blue;">R25</p>  <p style="text-align: right; font-size: small;">MN_SL_2F</p>
<p style="text-align: center; color: blue;">R26</p>  <p style="text-align: right; font-size: small;">MN_SL_2F</p>	<p style="text-align: center; color: blue;">R27</p>  <p style="text-align: right; font-size: small;">MN_SL_2F</p>	<p style="text-align: center; color: blue;">R28</p>  <p style="text-align: right; font-size: small;">MN_SL_2F</p>	<p style="text-align: center; color: blue;">R29</p>  <p style="text-align: right; font-size: small;">MN_SL_2F</p>
<p style="text-align: center; color: blue;">R30</p>  <p style="text-align: right; font-size: small;">MN_SL_2F</p>	<p style="text-align: center; color: blue;">R31</p>  <p style="text-align: right; font-size: small;">MN_SL_2F</p>	<p style="text-align: center; color: blue;">R32</p>  <p style="text-align: right; font-size: small;">MN_SL_2F</p>	<p style="text-align: center; color: blue;">R33</p>  <p style="text-align: right; font-size: small;">MN_SL_2F</p>
<p style="text-align: center; color: blue;">R34</p>  <p style="text-align: right; font-size: small;">MN_SL_2F</p>	<p style="text-align: center;">BLANK</p>	<p style="text-align: center;">BLANK</p>	<p style="text-align: center;">BLANK</p>



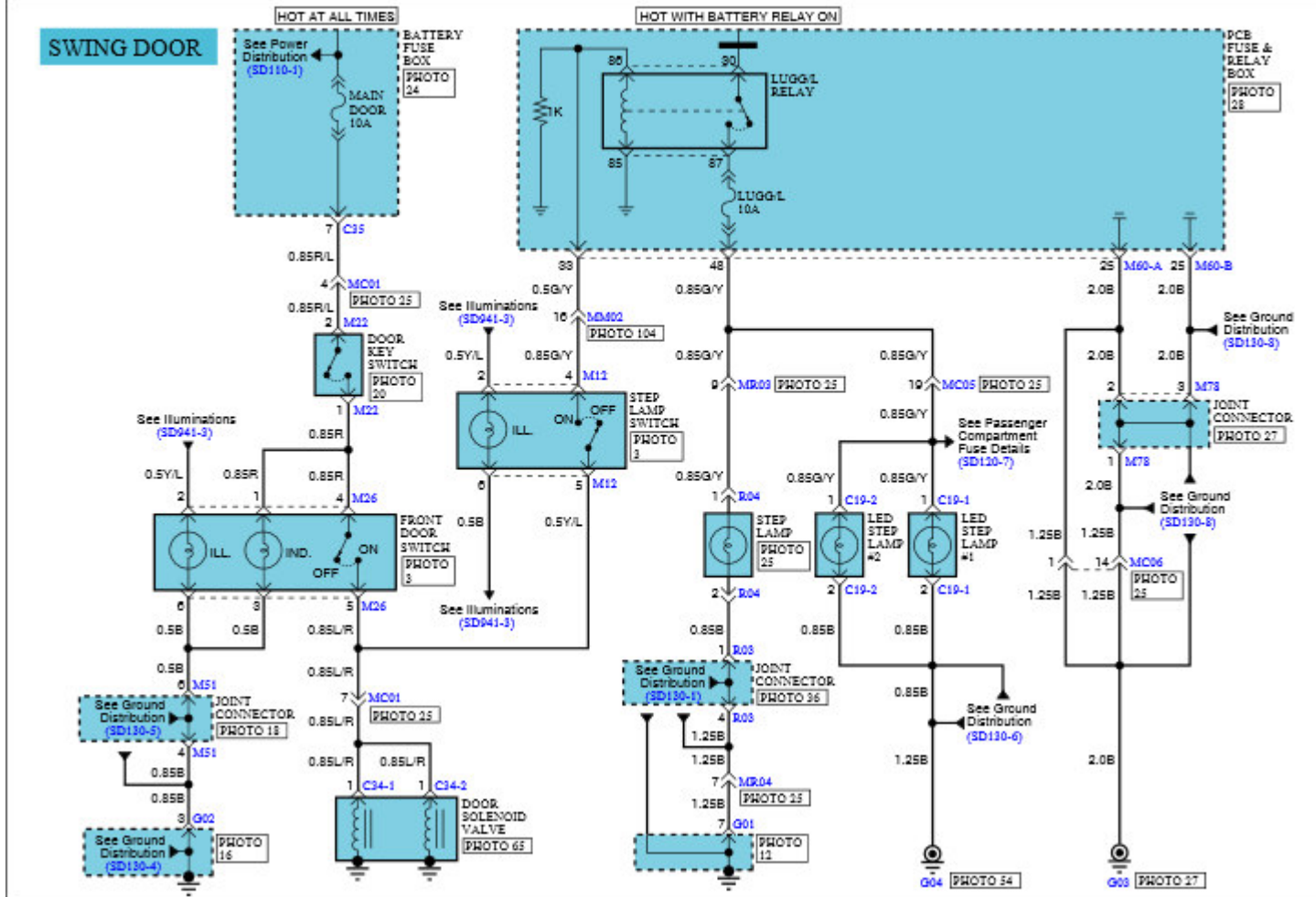


Data Link Details (3)

SD200-3

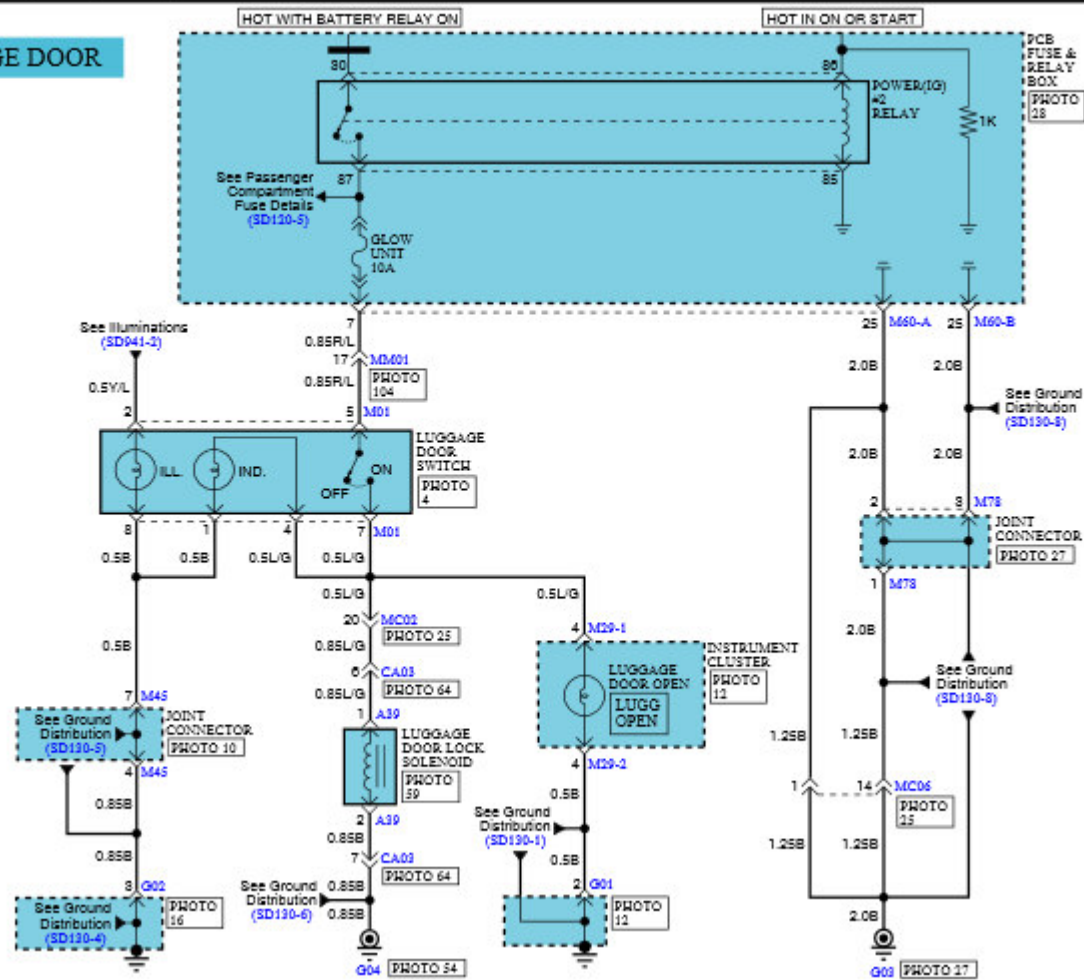







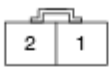
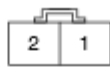


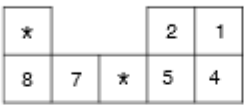
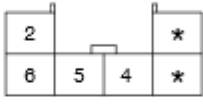
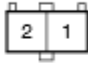
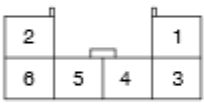
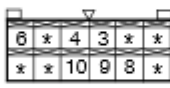
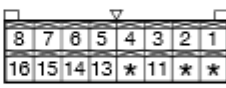
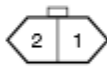


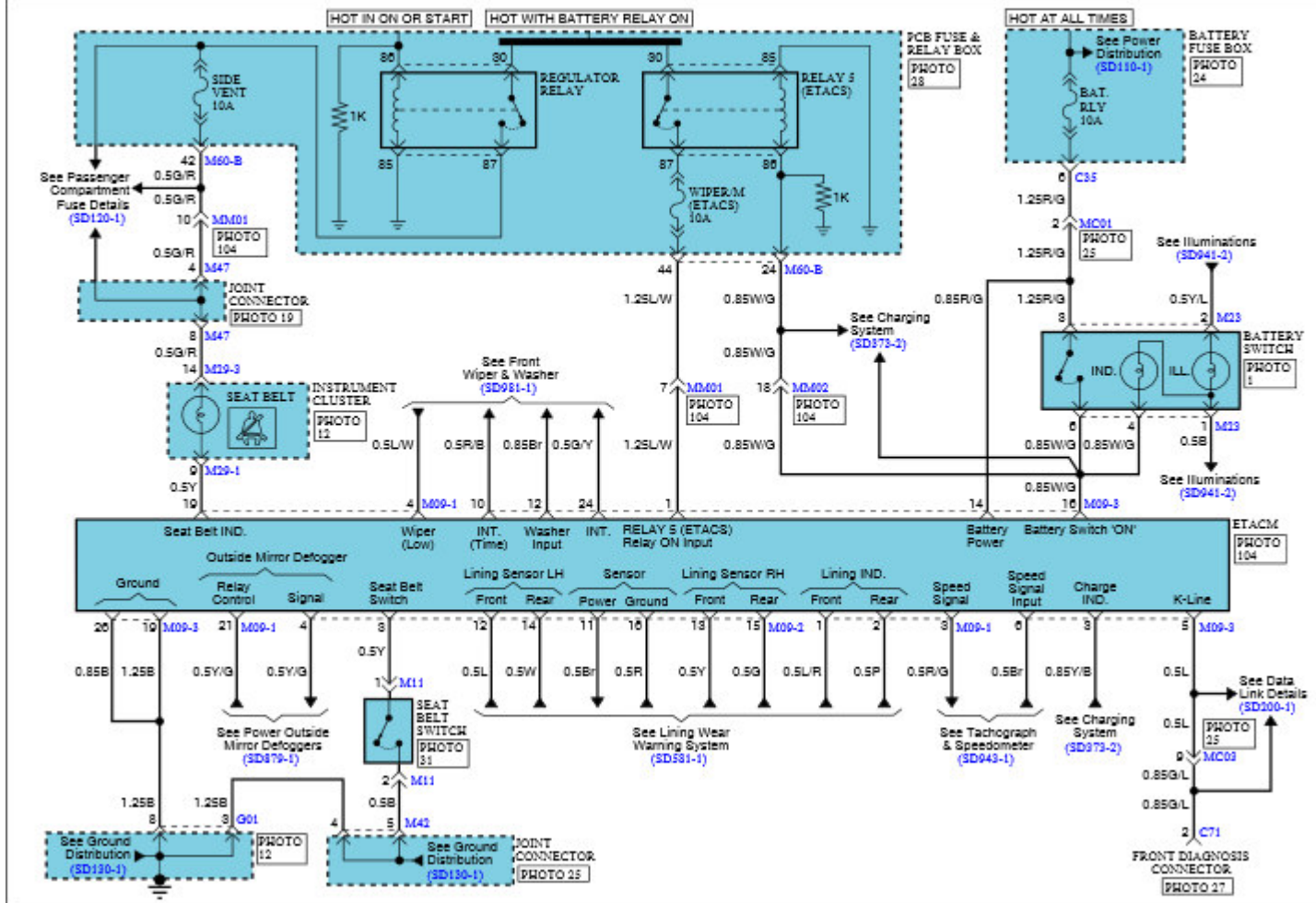
**LUGGAGE DOOR**



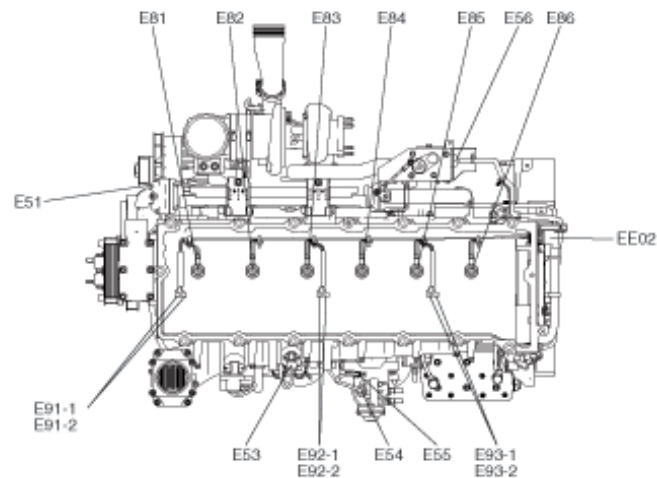
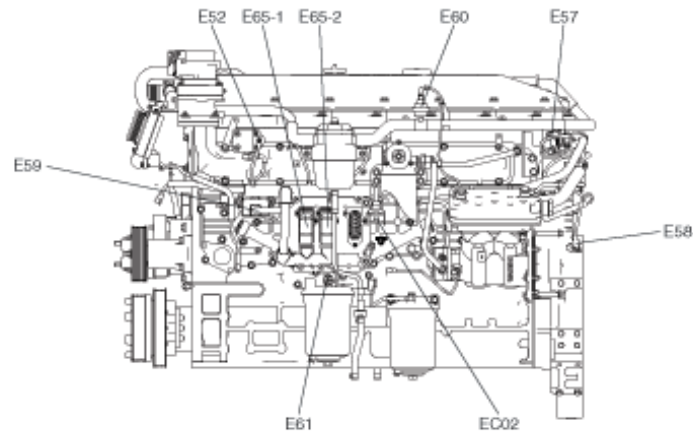
Door Control & Step Lamps (3)

SD752-3

<p>A39</p>  <p>NMSP_2F</p>	<p>C19-1</p>  <p>NMWP_2F</p>	<p>C19-2</p>  <p>NMWP_2F</p>	<p>C34-1</p>  <p>CR01F034</p>
<p>C34-2</p>  <p>CR01F034</p>	<p>M01</p>  <p>CR08F031</p>	<p>M12</p>  <p>MNK_DL_2F</p>	<p>M22</p>  <p>MNK_DL_2F</p>
<p>M26</p>  <p>MNK_DL_6F</p>	<p>M29-1</p>  <p>CR12F031</p>	<p>M29-2</p>  <p>CR16F019</p>	<p>R04</p>  <p>SWP_2F</p>



<p style="text-align: center;"><b>C71</b></p> <p style="text-align: center;">DIAGNOSIS_CONN_16P</p>	<p style="text-align: center;"><b>M09-1</b></p> <p style="text-align: center;">CR22F020</p>	<p style="text-align: center;"><b>M09-2</b></p> <p style="text-align: center;">CR16F052</p>	<p style="text-align: center;">BLANK</p>
<p style="text-align: center;"><b>M09-3</b></p> <p style="text-align: center;">CR26F016</p>	<p style="text-align: center;"><b>M11</b></p> <p style="text-align: center;">MN_SL-2M</p>	<p style="text-align: center;"><b>M23</b></p> <p style="text-align: center;">PA_7P</p>	
<p style="text-align: center;"><b>M29-1</b></p> <p style="text-align: center;">CR12F091</p>	<p style="text-align: center;"><b>M29-3</b></p> <p style="text-align: center;">CR20F021</p>	<p style="text-align: center;">BLANK</p>	<p style="text-align: center;">BLANK</p>
<p style="text-align: center;">BLANK</p>			



**ENGINE HARNESS**

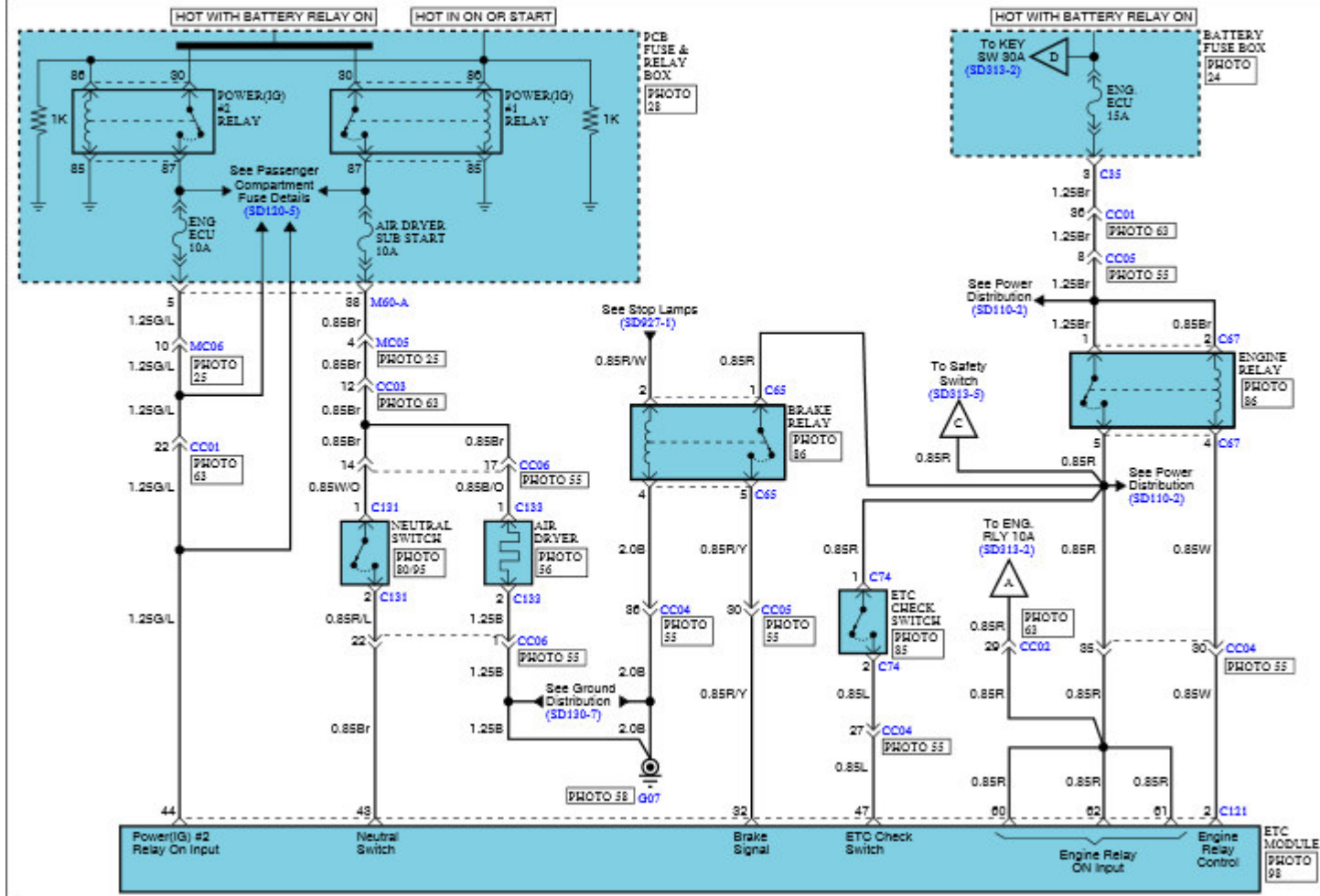
- E51 Water Temperature Sensor
- E52 Air Heater Relay & Monitoring
- E53 Boost Pressure Sensor
- E54 Fuel Temperature & Pressure Sensor
- E55 Fuel Heater
- E56 EGR Actuator Dc Motor
- E57 Camshaft Position Sensor
- E58 Crankshaft Position Sensor
- E59 EDU Control Module
- E60 CCV Filter Switch
- E61 Oil Bypass Switch
- E65-1 ETC Module
- E65-2 ETC Module
- EC02 Connection With Front Chassis Harness
- EE02 Connection With Injector Harness

**INJECTOR HARNESS**

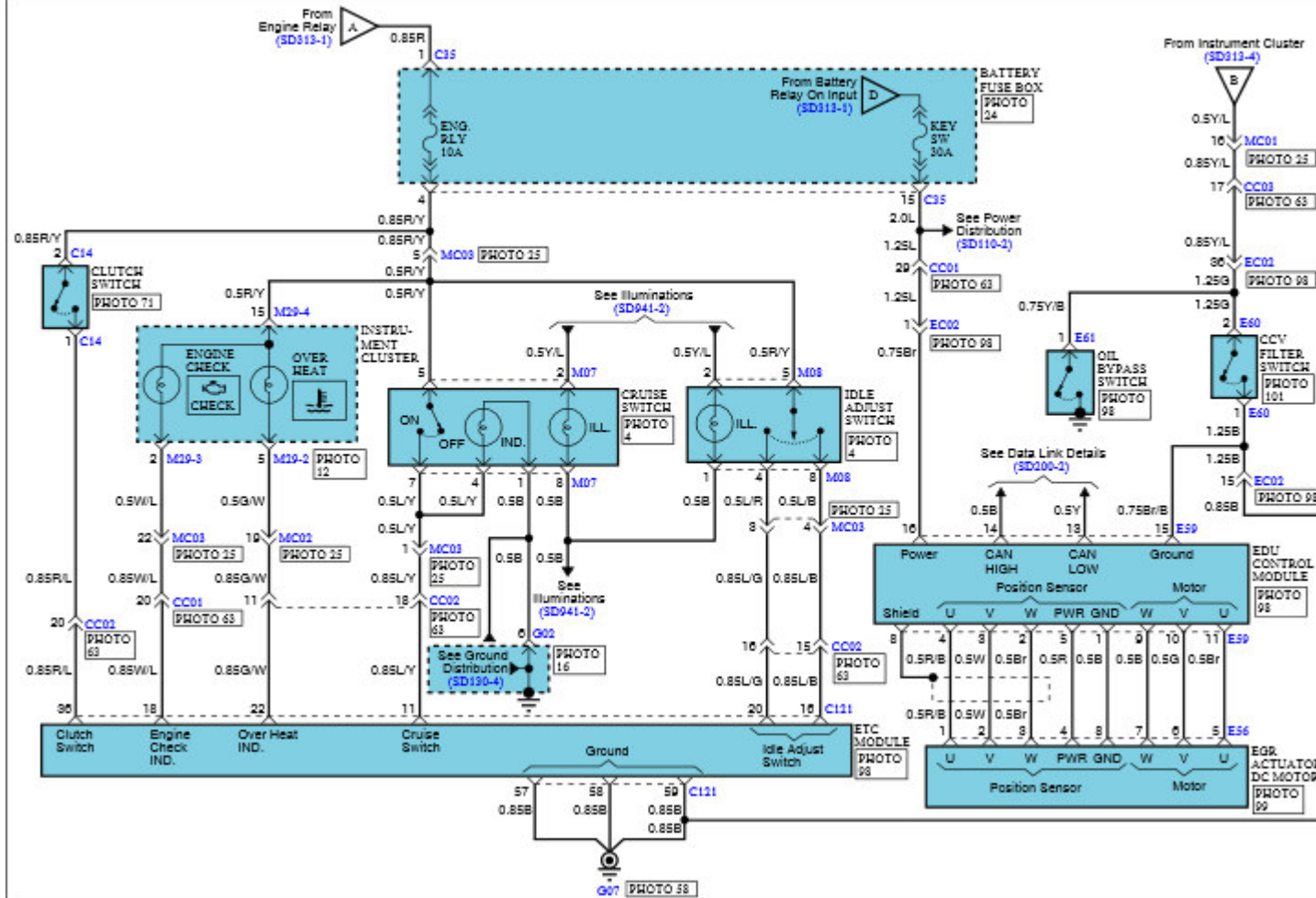
- E81 Injector #1
- E82 Injector #2
- E83 Injector #3
- E84 Injector #4
- E85 Injector #5
- E86 Injector #6
- E91-1 Jake Brake Solenoid #1
- E91-2 Jake Brake Solenoid #1
- E92-1 Jake Brake Solenoid #2
- E92-2 Jake Brake Solenoid #2
- E93-1 Jake Brake Solenoid #3
- E93-2 Jake Brake Solenoid #3
- EE02 Connection With Engine Harness

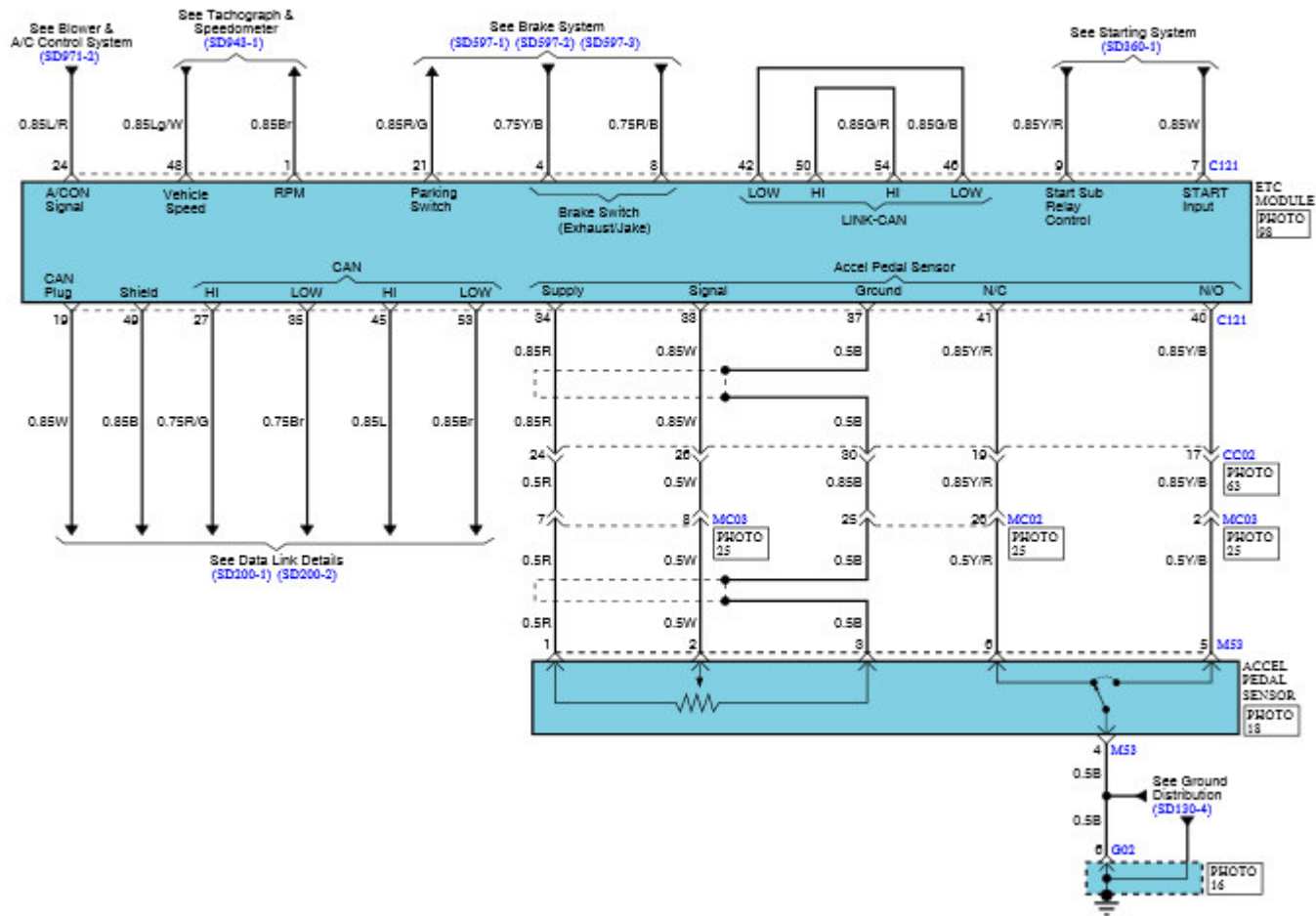
**GENERATOR HARNESS**

- E21 Starter Motor
- E22-1 Generator
- E22-2 Generator
- EC03 Connection With Rear Module Harness

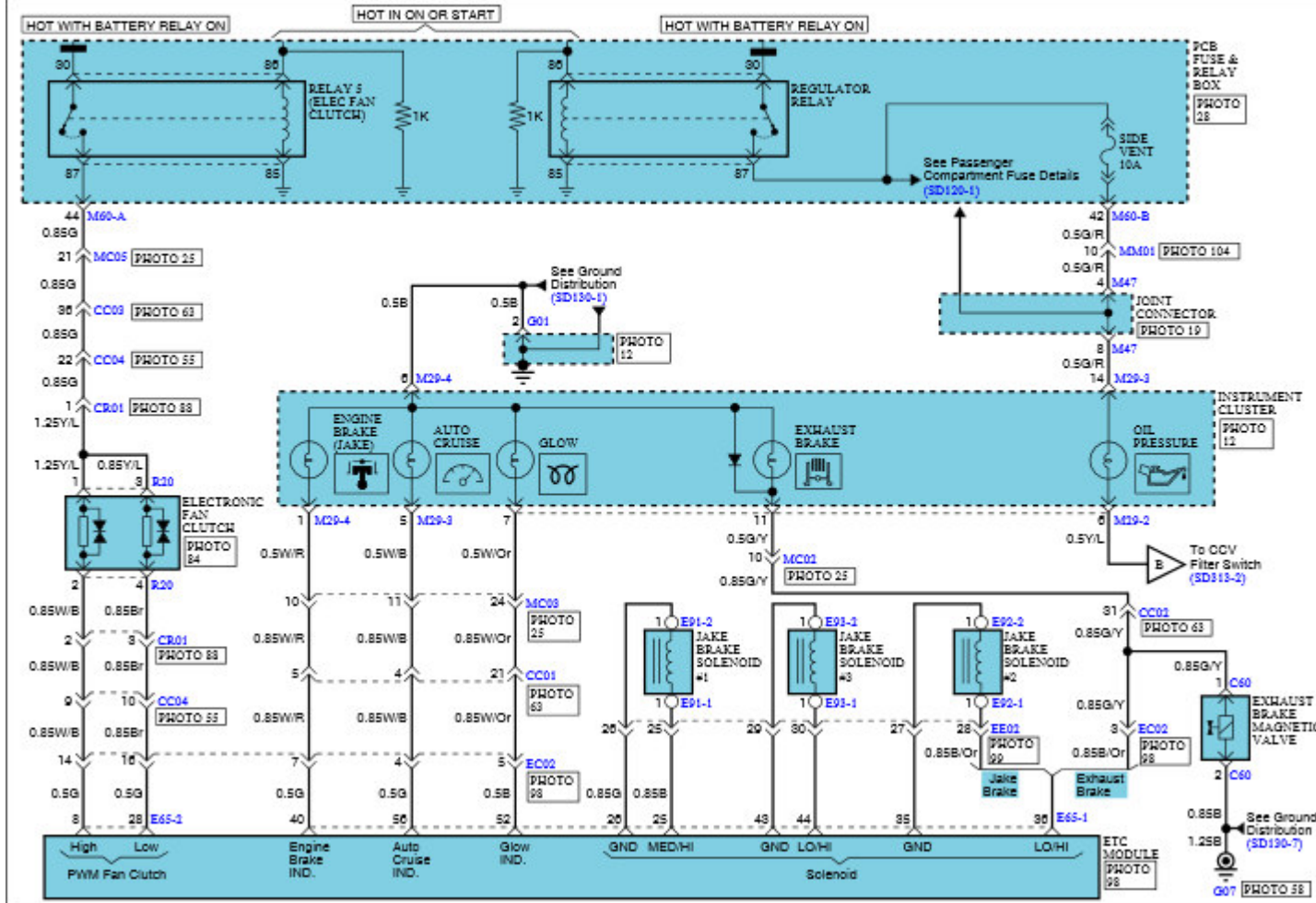


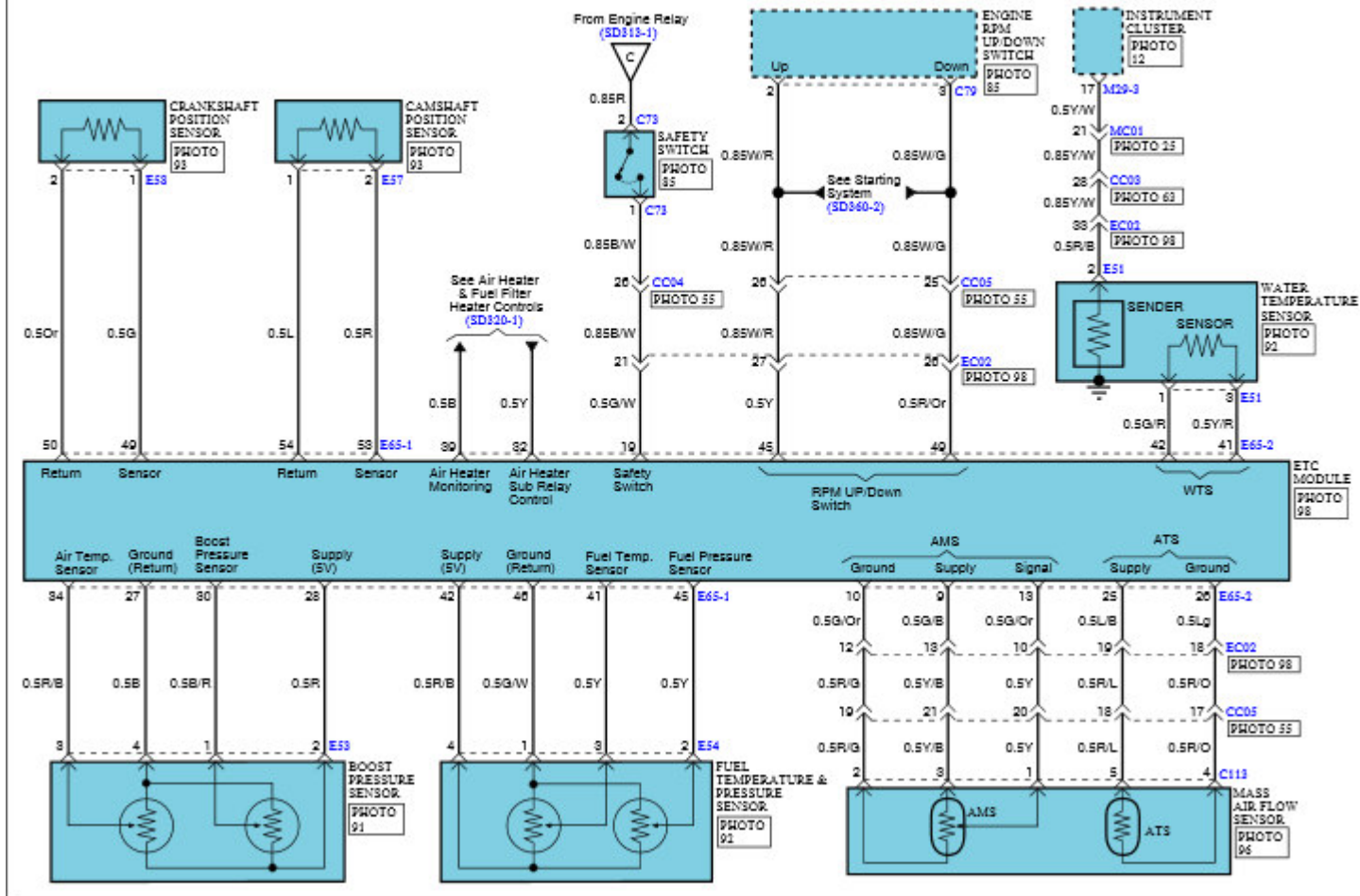


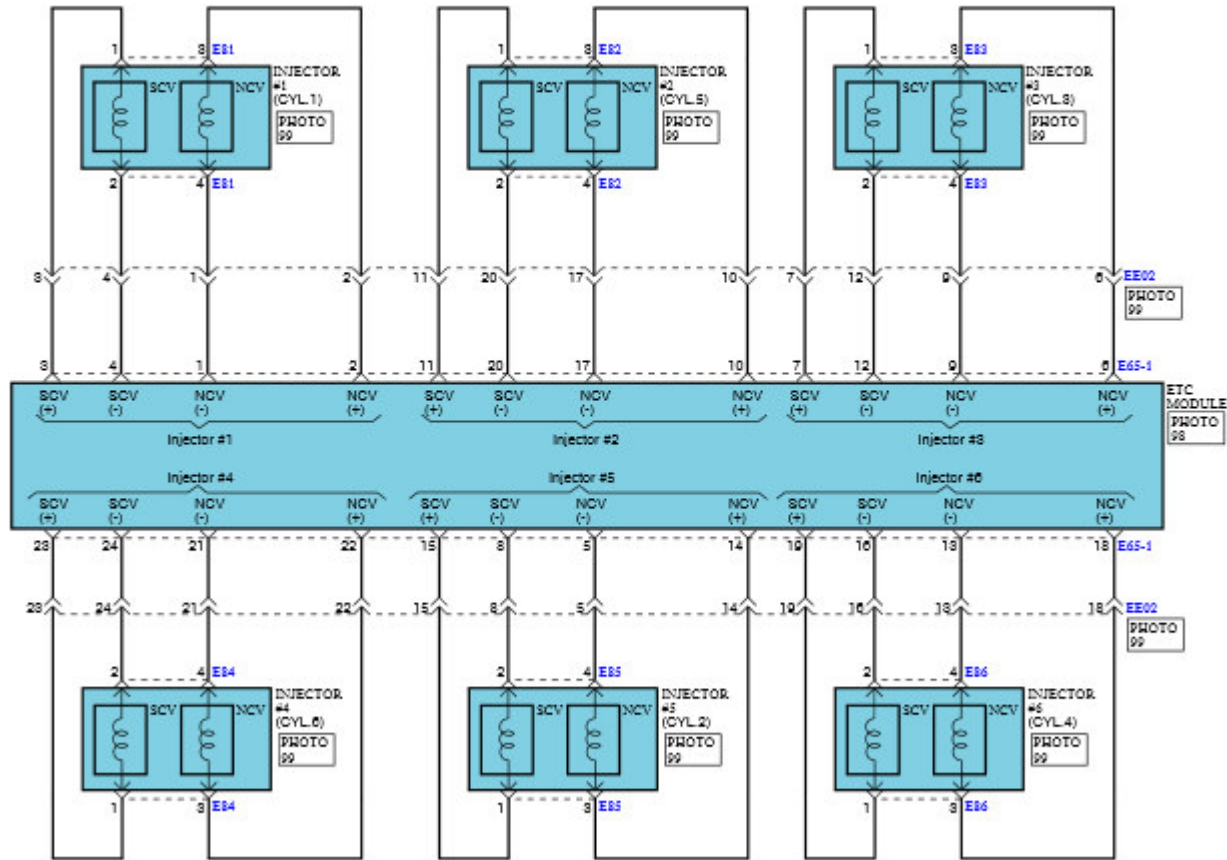




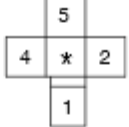
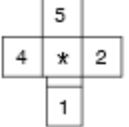



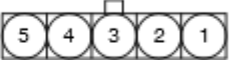
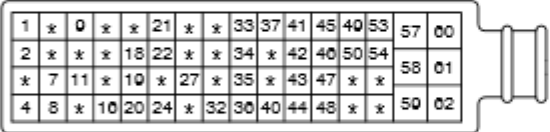


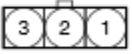
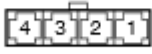
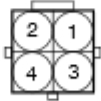
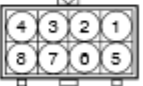


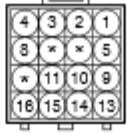
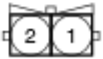


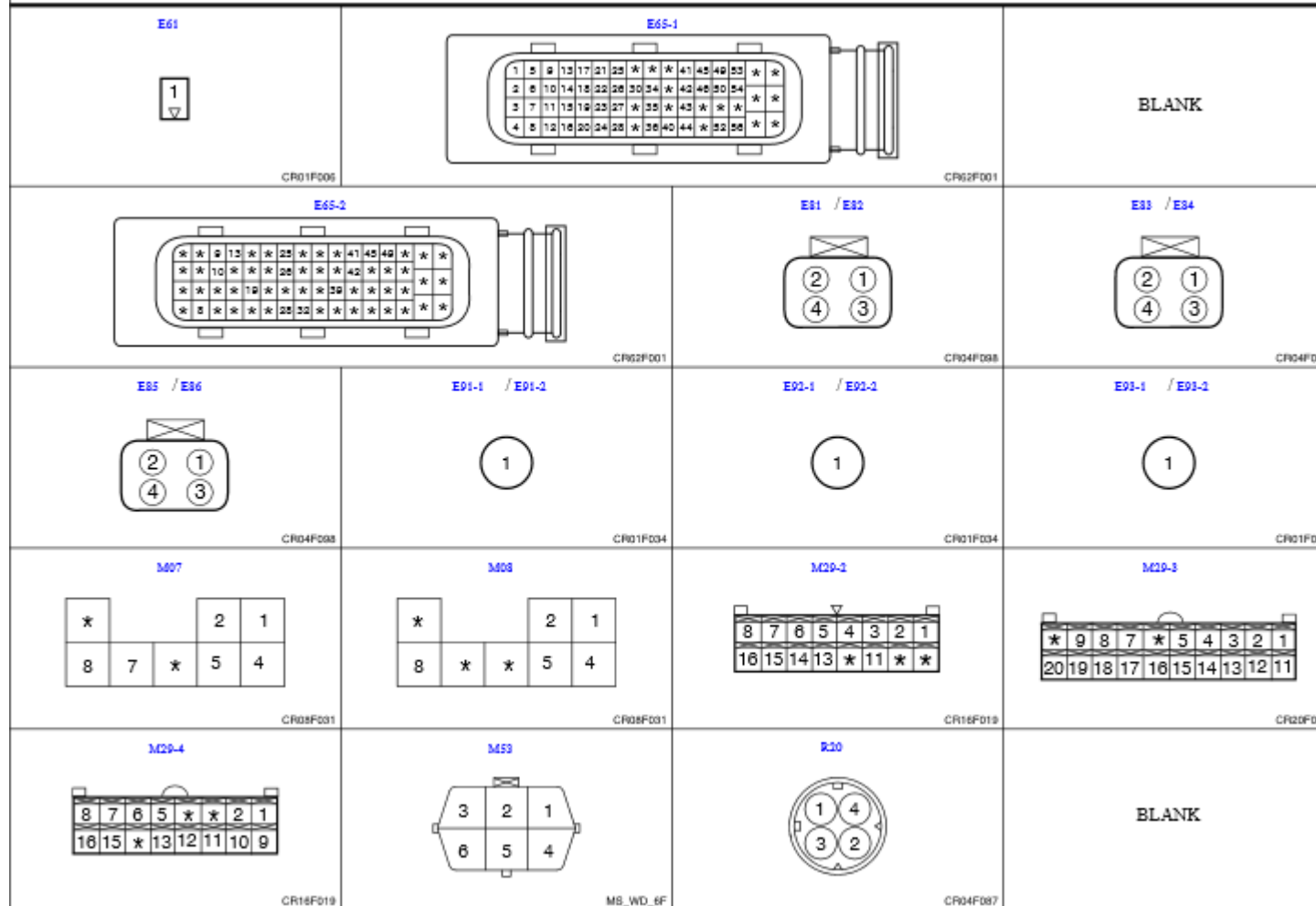


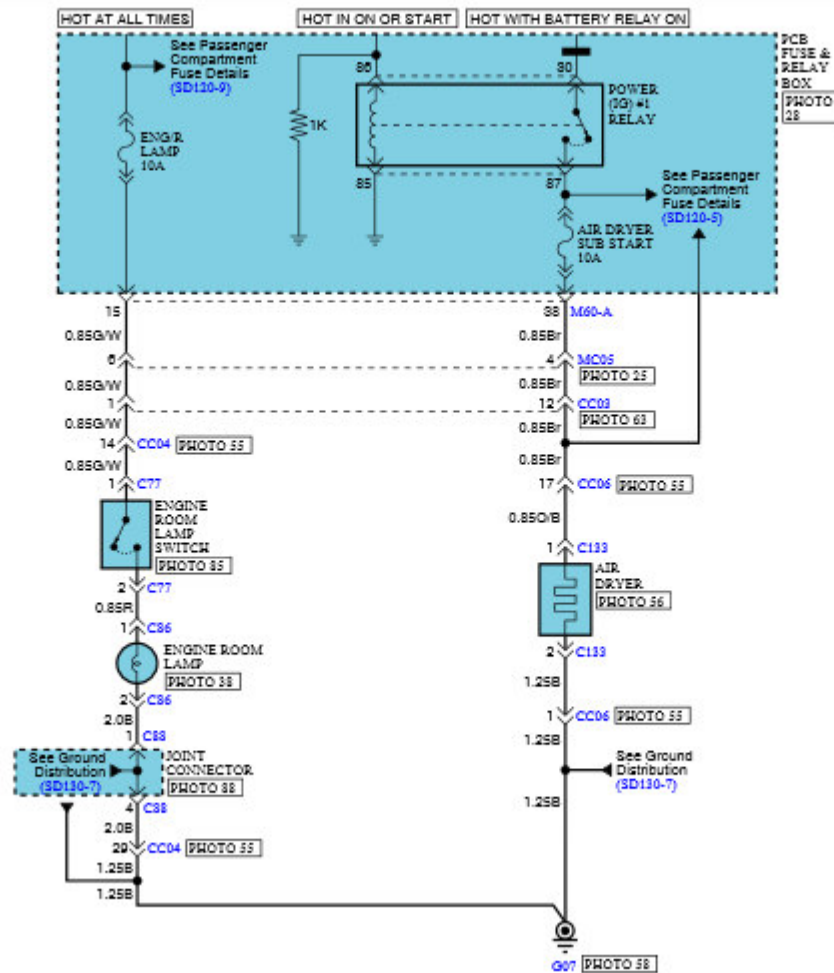



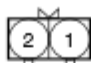





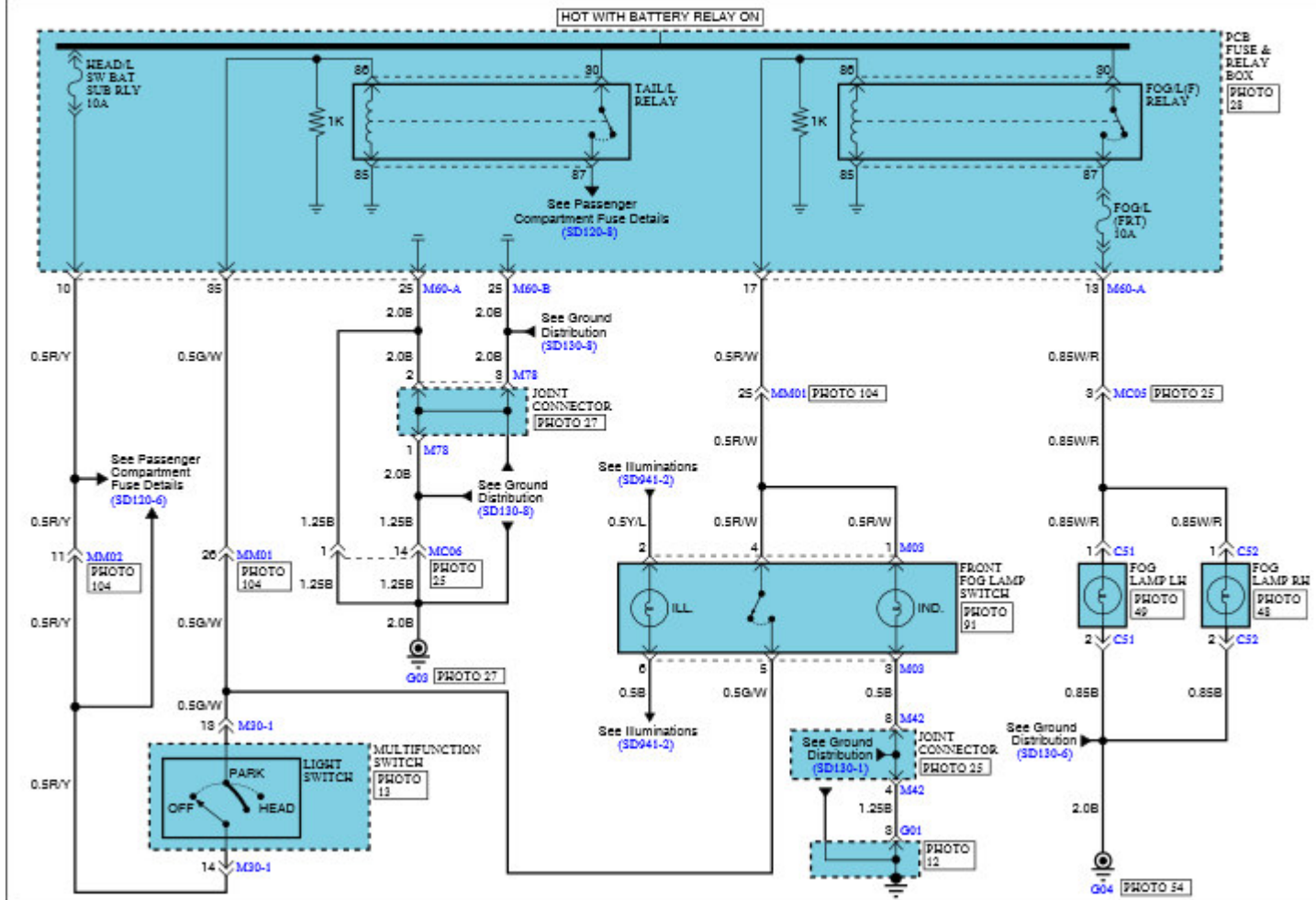
<p><b>C14</b></p>  <p>NMSP_2P</p>	<p><b>C60</b></p>  <p>CR04F087</p>	<p><b>C65</b></p>  <p>MC_PD_5P</p>	<p><b>C67</b></p>  <p>MC_PD_5P</p>
<p><b>C73</b></p>  <p>CR03F073</p>	<p><b>C74</b></p>  <p>NMSP_2P</p>	<p><b>C79</b></p>  <p>CR03F073</p>	<p><b>C113</b></p>  <p>CR05F053</p>
<p><b>C121</b></p>  <p>CR02F003</p>		<p><b>C131</b></p>  <p>CR04F087</p>	<p><b>C133</b></p>  <p>CR04F087</p>
<p><b>E51</b></p>  <p>CR03F073</p>	<p><b>E53</b></p>  <p>CR04F091</p>	<p><b>E54</b></p>  <p>CR04F065</p>	<p><b>E56</b></p>  <p>CR08F062</p>
<p><b>E57</b></p>  <p>CR02F041</p>	<p><b>E58</b></p>  <p>CR02F041</p>	<p><b>E59</b></p>  <p>CR16F043</p>	<p><b>E60</b></p>  <p>CR02F041</p>





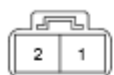
<p>C77</p>  <p>CR03F073</p>	<p>C86</p>  <p>CR02F040</p>	<p>C133</p>  <p>CR04F087</p>	<p>BLANK</p>
--	--	--	--------------





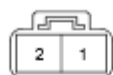


CS1



NWSP\_2F

CS2



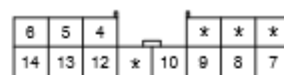
NWSP\_2F

M03

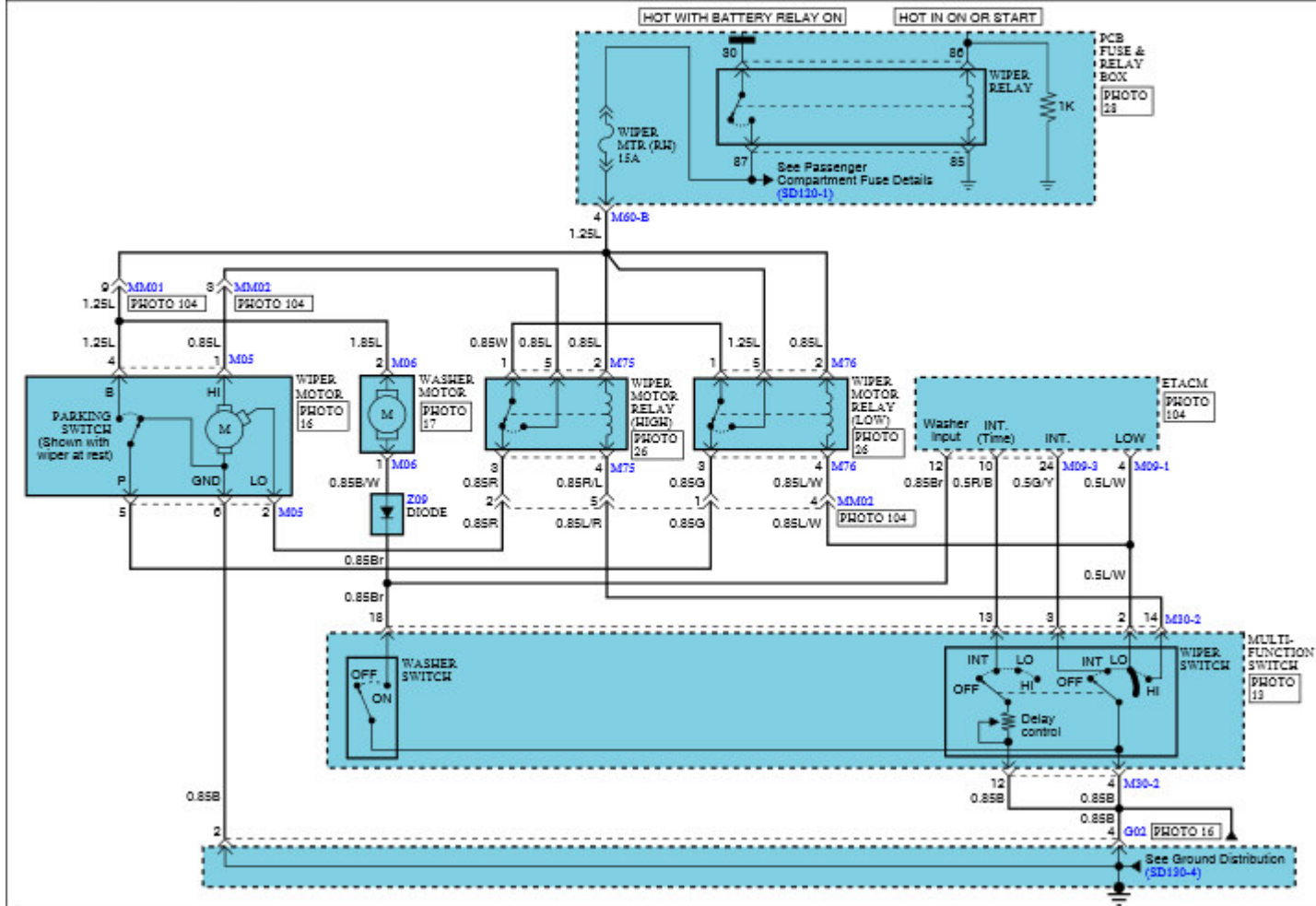


MNK\_DL\_6F

M00-1



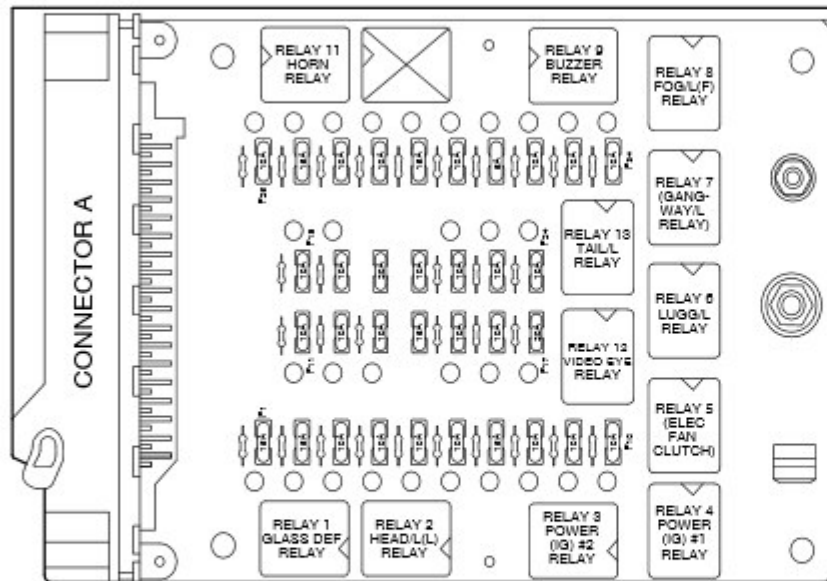
MNK-DL-14F



<p>M05</p> <p>CR05F073</p>	<p>M06</p> <p>SWP_2F</p>	<p>M09-1</p> <p>CR22F020</p>	<p>BLANK</p>
<p>M09-3</p> <p>CR05F016</p>	<p>M30-1</p> <p>MNK-DL-10F</p>	<p>M75</p> <p>CR05F032</p>	
<p>M76</p> <p>CR05F022</p>	<p>BLANK</p>	<p>BLANK</p>	<p>BLANK</p>

PCB FUSE & RELAY BOX  
LAYOUT

CONNECTOR A



Relay No.	Relay Name	Type
1	GLASS DEF RELAY	MINI PCB-TYPE
2	HEAD/L(L) RELAY	MINI PCB-TYPE
3	POWER(IG) #2 RELAY	MINI PCB-TYPE
4	POWER(IG) #1 RELAY	MINI PCB-TYPE
5	(ELEC FAN CLUTCH)	MINI PCB-TYPE
6	LUGG/L RELAY	MINI PCB-TYPE
7	(GANGWAY/L RELAY)	MINI PCB-TYPE
8	FOG/L(F) RELAY	MINI PCB-TYPE
9	BUZZER RELAY	MINI PCB-TYPE
11	HORN RELAY	MINI PCB-TYPE
12	VIDEO SYS RELAY	MINI PCB-TYPE
13	TAIL/L RELAY	MINI PCB-TYPE

M60-A

x	x	17	16	15	14	13	12	11	10	9	8	7	x	5	4	3	2	1
37	36	35	34	33	x	31	x	x	x	x	x	25	24	23	22	21	20	
55	x	x	52	x	50	49	48	47	46	45	44	43	42	41	40	39	38	

CrossFuses

✘ USE THE DESIGNATED FUSE ONLY

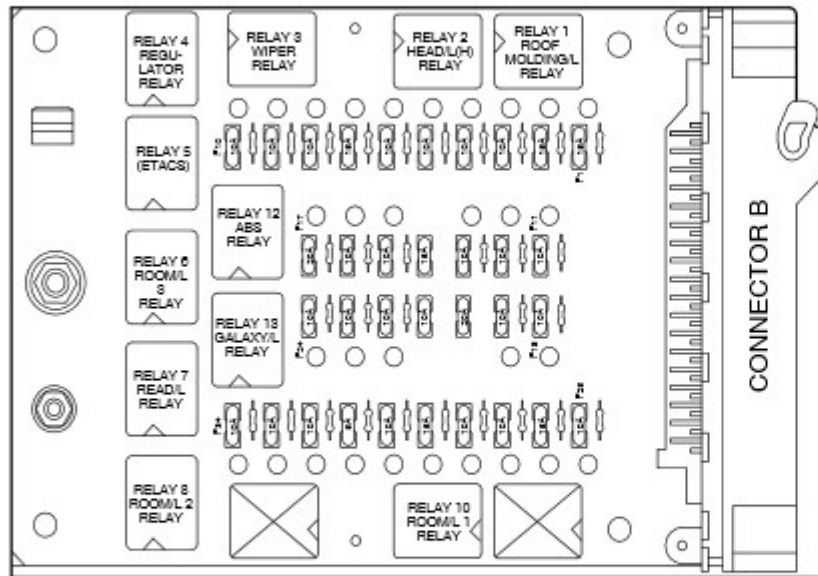
## CONNECTOR A

NO.	(A)	FUSE	Circuit Protected
F1	15A	DOOR DEF.	Main Door Glass Defogger
F2	15A	GLASS DEF.	Driver Window Defogger
F3	10A	HEAD/L LO LH	Front Combination Lamp LH
F4	10A	HEAD/L LO RH	Front Combination Lamp RH
F5	10A	SEAT HTR R. MIRR	Outside Mirror Switch, Seat Warmer Switch
F6	10A	AIR DRYER SUB START	Air Dryer, Neutral Switch
F7	15A	MIRR DEF	Outside Mirror Defogger Relay
F8	10A	BUZZER RELAY DBR RELAY	Buzzer Relay
F9	10A	ENG ECU	Engine RPM Up/Down Switch, Engine Stop Switch, ETC Module, Fuel Heater Relay #1/#2
F10	10A	PRE-HTR(IG)	Preheater Relay #1, PCB A/Con Control Module
F11	10A	KNEEL'G	Kneeling Relay, Kneeling Switch, Intarder Control Module
F12	10A	VENT	REC/FRE Ventilator Relay #1/2, REC/FRE Switch, Ventilator Switch, Ventilator Relay #1/2
F13	10A	STOP/L	Stop Lamp Relay #1/2
F14	15A	SPARE	-
F15	10A	GLOW UNIT	Luggage Door Switch
F16	10A	COOLING FAN	-
F17	20A	VIDEO SYS	Front LCD TV, DVD Power
F18	10A	HEAD/L SW BAT SUB RLY	Multifunction Switch(Head Lamp), Instrument Cluster(ECS IND.), Battery Sub Relay
F19	10A	12V	Converter, Center TV
F20	20A	SPARE	-
F21	10A	SPARE	-
F22	10A	TAILL RH	Audio, Speedometer, Instrument Cluster, Back View Monitor, Side Marker Lamp RH #2, PCB A/Con Control Module, Wheel Lamp LH Front Combination Lamp RH, Side Marker Lamp LH #2/#3, Rear Stop & Tail Lamp LH #1/2, Defroster Control Module
F23	10A	TAILL LH	Marker Lamp LH/RH, Digital Clock, Digital Tachograph, Rear Marker Lamp LH/RH, Wheel Lamp RH, Cruise Switch, License Lamp LH/RH Side Marker Lamp RH #1/3, Side Marker Lamp LH #1, Rear Stop & Tail Lamp RH #1/2, Front Combination Lamp LH, Brake Select Switch Kneeling Switch, Power Window Switch, IC Route Guide Switch, Front Fog Lamp Switch, Idle Adjust Switch, Roof Molding Lamp Switch Luggage Door Switch, Battery Switch, Front TV Switch, Seat Warmer Switch, ASR Off Switch, Aisle LED Step Lamp Switch, Room Lamp Switch #1/2/3, Gangway Molding Lamp Switch, Front Door Switch, Center TV Switch, Driver Lamp Switch LED Room Lamp Switch, Reading Lamp Switch, Outside Mirror Defogger Switch, Step Lamp Switch, Refrigerator Switch
F24	10A	LUGG/L	LED Step Lamp #1/2, Driver Luggage Lamp, Front Luggage Lamp LH/RH, Rear Luggage Lamp LH/RH, Step Lamp(Roof)
F25	10A	HORN	Horn
F26	15A	STARTER RELAY	ETC Module
F27	10A	SPARE	-
F28	10A	ENG/R LAMP	Engine Room Lamp Switch
F29	15A	SPARE	-
F30	10A	PWIN	Power Window Switch
F31	5A	BUZZER	Parking Buzzer
F32	10A	FOG/L(FRT)	Fog Lamp LH/RH
F33	10A	GANGWAY/L LH	Gangway Molding Lamp LH
F34	10A	GANGWAY/L RH	Gangway Molding Lamp RH

✘ USE THE DESIGNATED FUSE ONLY

PCB FUSE & RELAY BOX  
LAYOUT

CONNECTOR B



Relay No.	Relay Name	Type
1	ROOF MOLDING/L RELAY	MINI PCB-TYPE
2	HEAD/L(H) RELAY	MINI PCB-TYPE
3	WIPER RELAY	MINI PCB-TYPE
4	REGULATOR RELAY	MINI PCB-TYPE
5	(ETACS)	MINI PCB-TYPE
6	ROOM/L 3 RELAY	MINI PCB-TYPE
7	READ/L RELAY	MINI PCB-TYPE
8	ROOM/L 2 RELAY	MINI PCB-TYPE
10	ROOM/L 1 RELAY	MINI PCB-TYPE
12	ABS RELAY	MINI PCB-TYPE
13	GALAXY/L RELAY	MINI PCB-TYPE

M60-B

19	18	17	16	15	14	13	12	11	10	9	8	7	6	5	4	3	2	1
x	x	x	85	84	83	x	x	x	x	x	x	x	25	24	23	22	21	20
55	x	x	x	x	x	40	48	47	46	45	44	43	42	41	40	39	x	

CR65F008

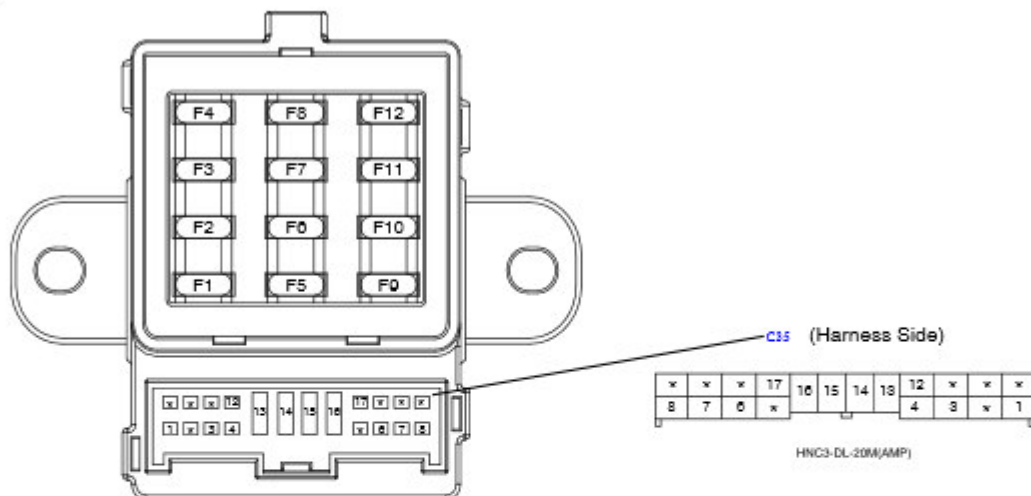
✘ USE THE DESIGNATED FUSE ONLY

## CONNECTOR B

NO.	(A)	FUSE	Circuit Protected
F1	15A	ROOF MOLDING/L LH	Roof Molding Lamp LH
F2	15A	ROOF MOLDING/L RH	Roof Molding Lamp RH
F3	10A	HEAD/L HI LH	Front Combination Lamp RH
F4	10A	HEAD/L HI RH	Front Combination Lamp LH
F5	10A	AUTO GREASE	Auto Grease Module, Auto Grease Pressure Switch
F0	10A	WIPER MTR(LH)	-
F7	15A	WIPER MTR(RH)	Wiper Motor Relay(Low), Wiper Motor Relay(High), Wiper Motor, Washer Motor
F8	10A	REVERSE LAMP	Back View Monitor, Back-up Lamp Switch
F0	10A	REGULATOR	Regulator, Air Heater Sub Relay
F10	10A	SIDE VENT	Instrument Cluster, Speedometer, ABS Control Module
F11	10A	REFRIGERATOR	Digital Tachograph, Digital Clock, Refrigerator Switch, Front TV Switch, Center TV Switch
F12	10A	DRIVER'S LAMP	Starting Time Indicator, Driver Lamp Switch, ABS Relay
F13	10A	METER DEF CONTROL	Aisle LED Step Lamp Switch, Defroster Control Module, Defroster Actuator #1/2/3, Power Transistor #1/2, Defroster Relay #1/2
F14	15A	SPARE	-
F15	10A	ENG. STOP MTR	Intarder Control Module
F10	10A	WIPER/M(ETACS)	ETACM
F17	20A	ABS ECU	ABS Diagnosis Connector, ABS Control Module, Brake Select Switch, Multifunction Switch(Brake SW)
F18	10A	DEFROSTER MOTOR1	Defroster Relay #1
F10	10A	DEFROSTER MOTOR2	Defroster Relay #2
F20	20A	SPARE	-
F21	10A	SPARE	-
F22	10A	LED ROOM LAMP	LED Room Lamp #1~7
F23	10A	GALAXY LAMP	-
F24	10A	ROOM/L 3	Room Lamp #2/5/7/0
F25	10A	SPARE	-
F20	15A	ACC POWER	IC Route Guide Module, Audio, Earphone #1~18, Driver Earphone
F27	10A	SPARE	-
F28	10A	PUBLIC PHONE	-
F20	15A	SPARE	-
F30	10A	ROOM/L 1	Room Lamp Switch #1/2/3, LED Room Lamp Switch, Roof Molding Lamp Switch, Gangway Molding Lamp Switch, Room/L 1 Relay, Reading Lamp Switch
F31	5A	ABS EXH BRAKE	-
F32	10A	ROOM/L 2	Room Lamp 4/0/8/10
F33	10A	READING LAMP RH	Reading Lamp & Speaker RH #1~12
F34	10A	READING LAMP LH	Reading Lamp & Speaker LH #1~12

※ USE THE DESIGNATED FUSE ONLY

BATTERY FUSE BOX  
LAYOUT









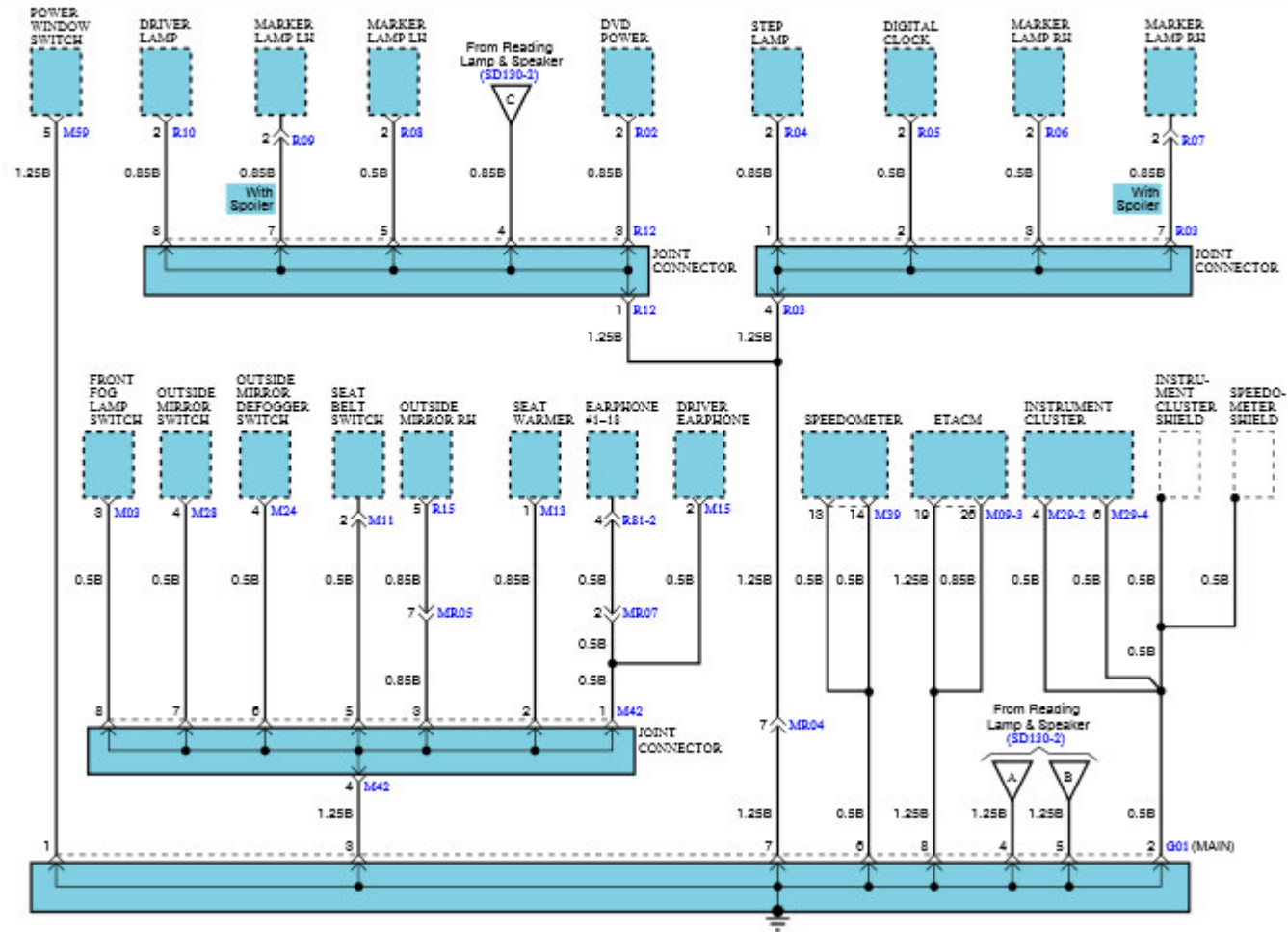
NO.	(A)	FUSE	Circuit Protected
F1	10A	WATER PUMP	-
F2	10A	ENG. RLY	Cruise Switch, Instrument Cluster(IND.), Idle Adjust Switch, Clutch Switch
F3	15A	SPARE	-
F4	15A	ENG. ECU	Engine Relay, Start Sub Relay
F5	30A	KEY SW	Ignition Switch, EDU Control Module
F6	20A	HAZARD	Flasher Unit
F7	20A	PRE-HTR	Preheater Unit
F8	30A	SPARE	-
F9	10A	MEMORY	Front/Rear Diagnosis Connector, Instrument Cluster(MICOM), Digital Tachograph, Digital Clock, Speedometer, Audio, Defroster Control Module, Auto Grease Module
F10	10A	MAIN DOOR	Door Key Switch
F11	10A	BAT. RLY	Battery Switch, ETACM
F12	15A	SPARE	-

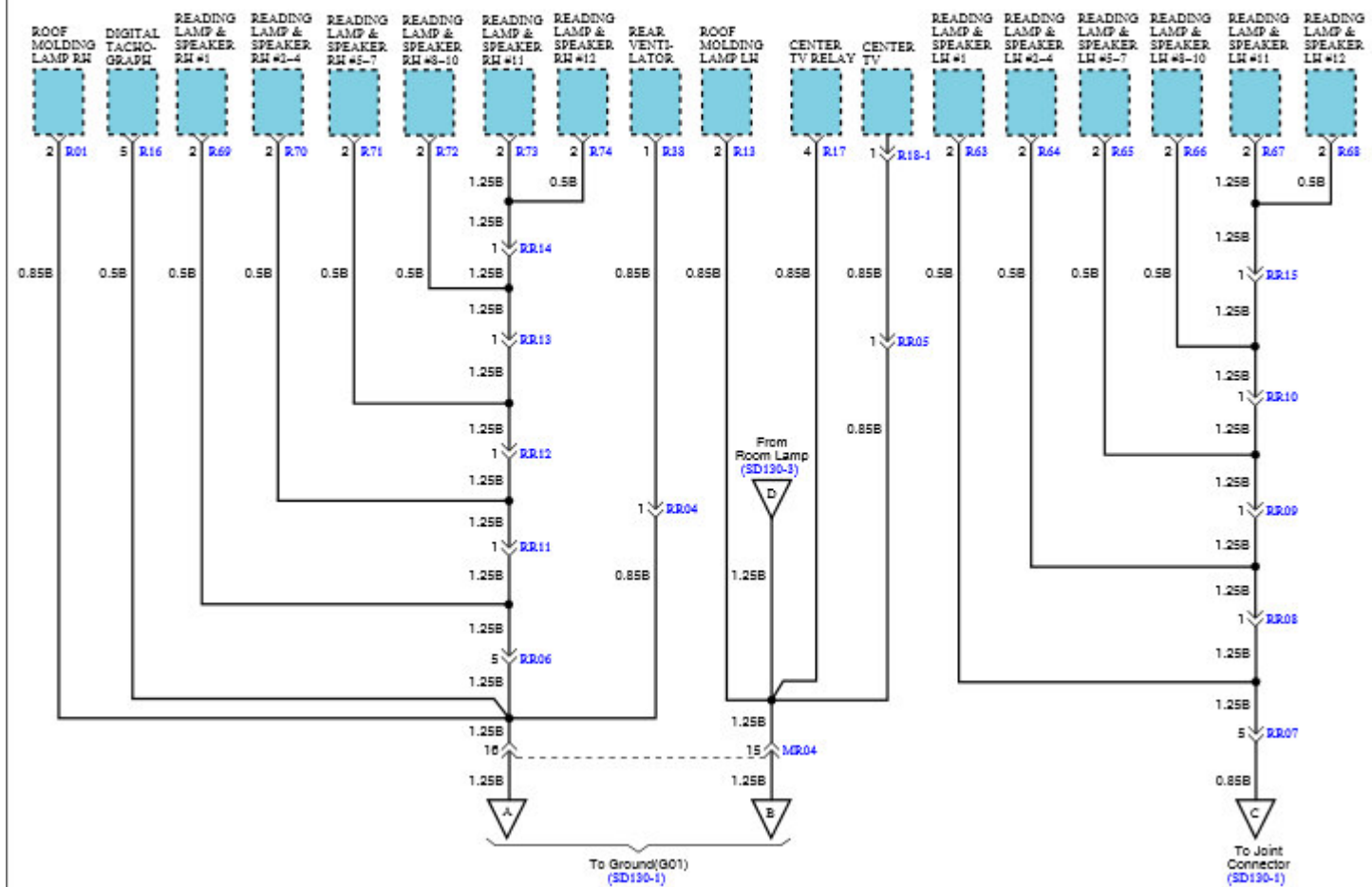
※ USE THE DESIGNATED FUSE ONLY

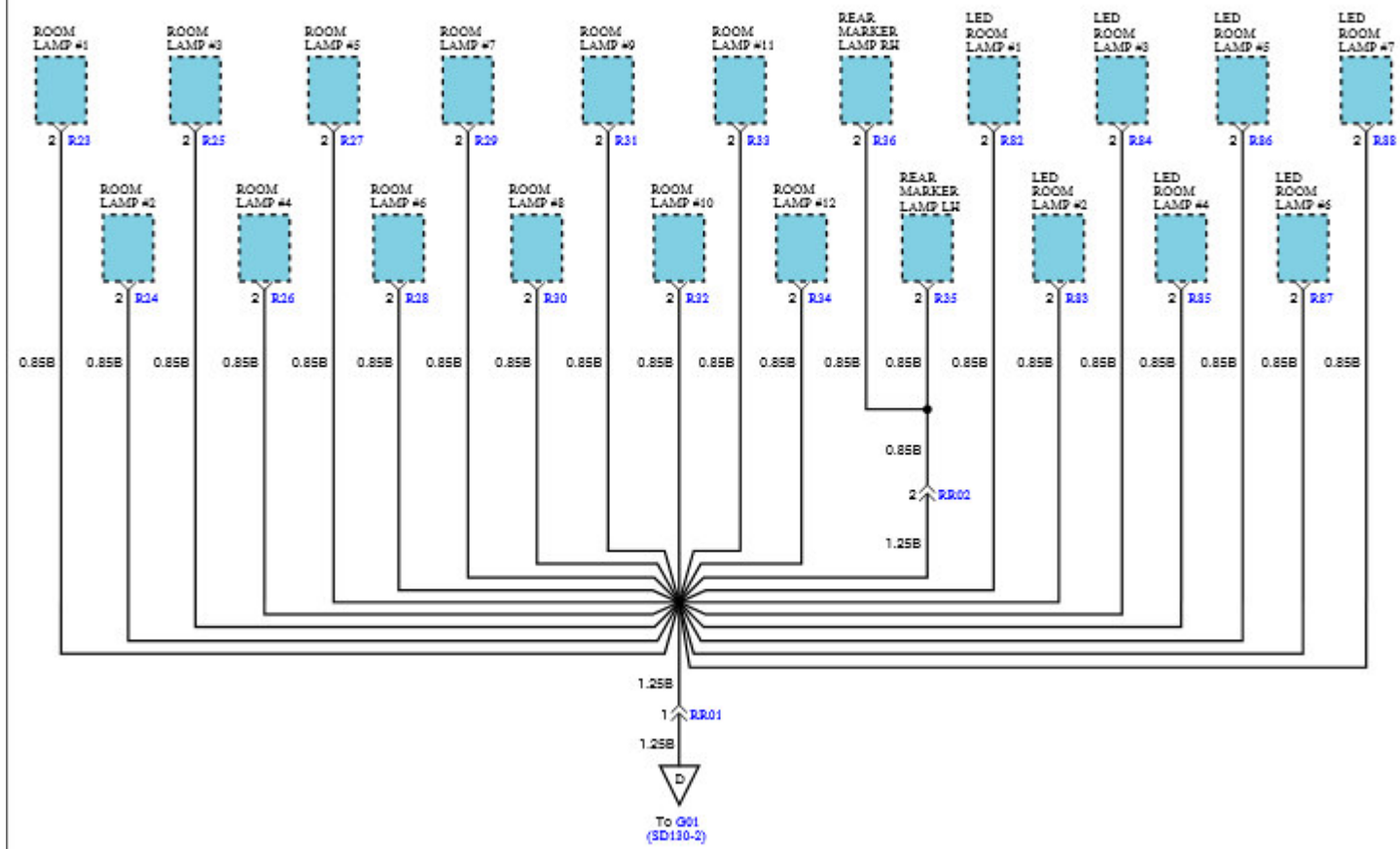


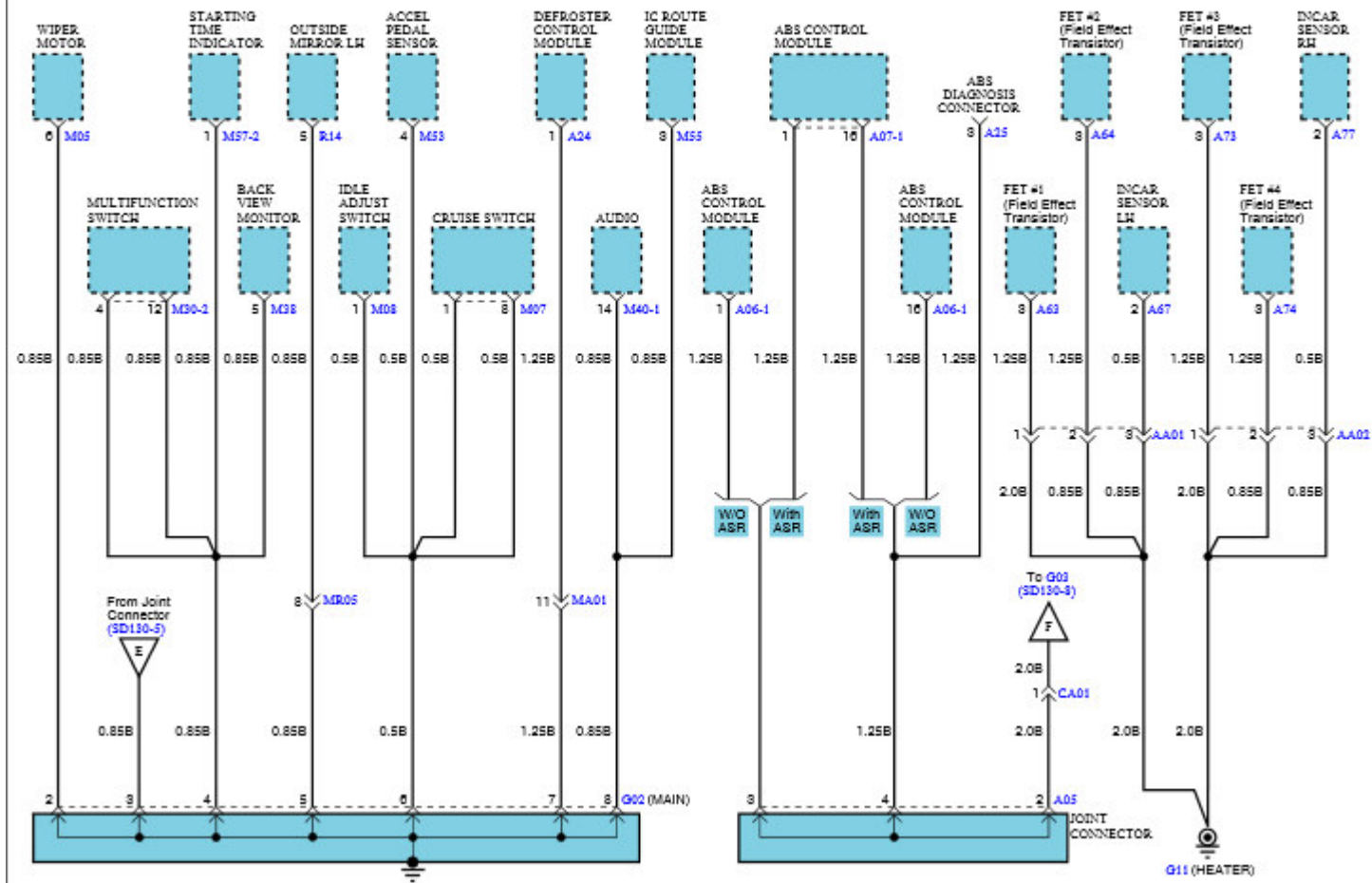
## BATTERY FUSIBLE LINK BOX

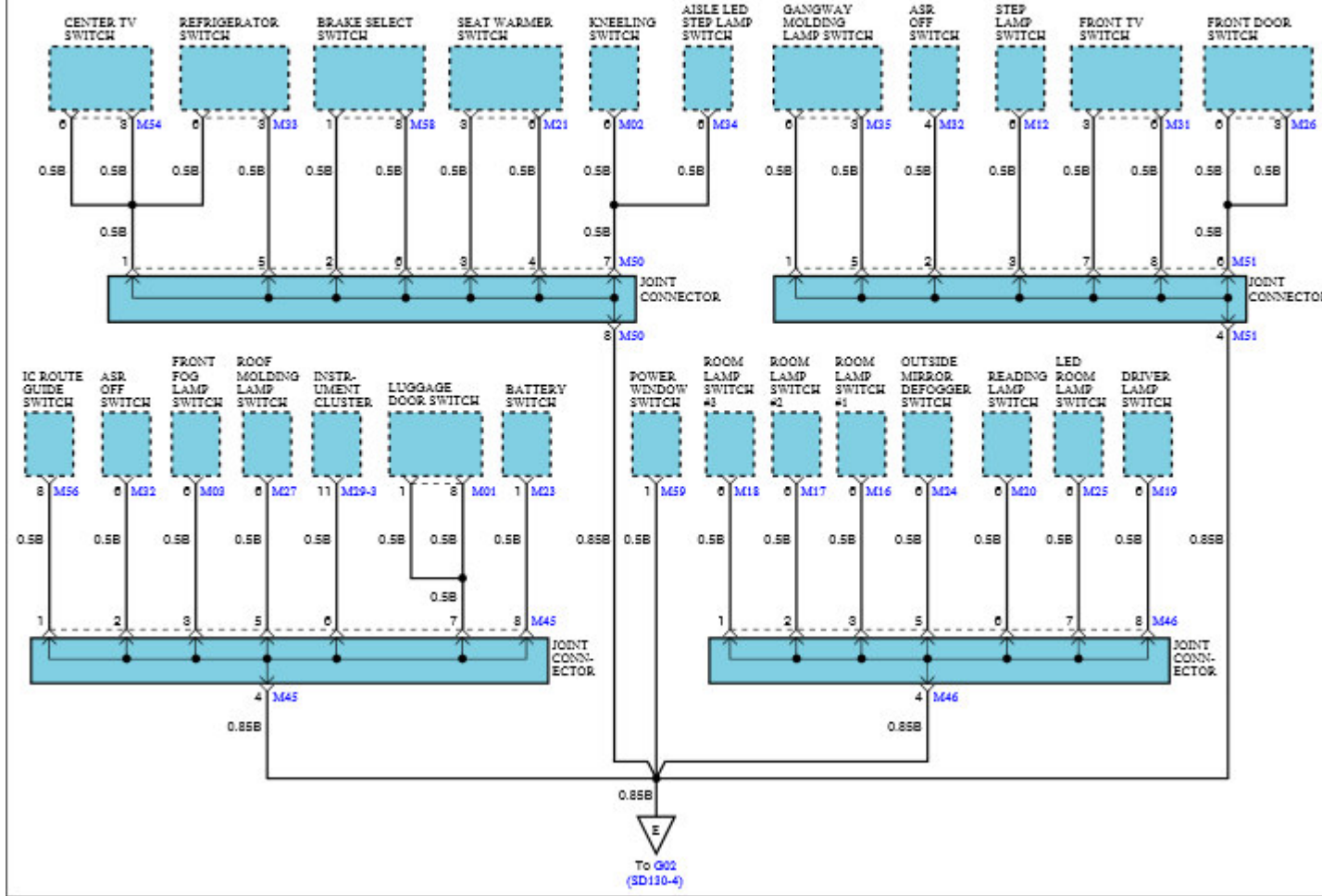
SPARE 70A	AIR CON 125A	START 125A	CHASSIS 100A	BODY 125A	PERMANENT 70A
SPARE 100A	91840-8D000 BOX ASSY-BATTERY FUSE USE THE DESIGNATED FUSES ONLY.				
SPARE 125A					
 경고	 WARNING	 تحذير			
<ul style="list-style-type: none"> <li>• 퓨즈와 연결케이블 접합시 배터리 (-) 케이블을 차체에서 분리하여 주십시오.</li> <li>• 화상을 입거나 화재, 감전 등의 원인이 될 수 있습니다.</li> </ul>	<ul style="list-style-type: none"> <li>• WHEN REPLACING FUSES AND REPAIRING CONNECTED CABLES, BE SURE TO SEPARATE BATTERY (-) CABLES FROM CAR BODIES.</li> <li>• IF NOT, IT CAUSE VARIOUS DAMAGES : BURNS, FIRES, ELECTRIC SHOCKS ETC.</li> </ul>	<ul style="list-style-type: none"> <li>• عند استبدال الفوس و إصلاح الكابلات المتوصلة، تأكد من فصل الكابلات السالبة (-) للسيارة عن جسم السيارة.</li> <li>• وإذا لم تفعل، قد تتعرض لأضرار مختلفة : لاحتراق ، حريق ، صدمات كهربائية ... الخ</li> </ul>			
 ADVERTENCIA	 UYARI	 警告			
<ul style="list-style-type: none"> <li>• AL CAMBIAR LOS FUSIBLES Y REPARAR LOS CABLES CONECTADOS, ASEGURESE DE SEPARAR LOS CABLES DE LA BATERIA (-) DE LA CARRROCERIA DEL COCHE.</li> <li>• SI NO PUEDE CAUSAR DAÑOS, QUEMADURAS, FUEGO, DESCARGAS ELECTRICAS, ETC.</li> </ul>	<ul style="list-style-type: none"> <li>• YİĞİRTALARI DEĞİŞTİRİRKEN VE BAĞLI KABLOLARI TAMİR EDERKEN, BATARYANIN (-) KABLOLARINI ARAC GÖVDELERİNDEN AYIRDIBİNİZDAN EMİN OLUNUZ.</li> <li>• AKSİ TAKDİRDE ÇEŞİTLİ HASARLARA NEDEN OLABİLECEK DİRNEĞİN YANDIKLAR, YANGINLAR, ELEKTRİK ÇARPMALARI VS. GİBİ.</li> </ul>	<ul style="list-style-type: none"> <li>• 更换熔断器或者维修连接好的电缆时，请确保电池（-）电缆与车体隔离。</li> <li>• 如果没有，会导致各种损坏、燃烧、火灾和电击等。</li> </ul>			

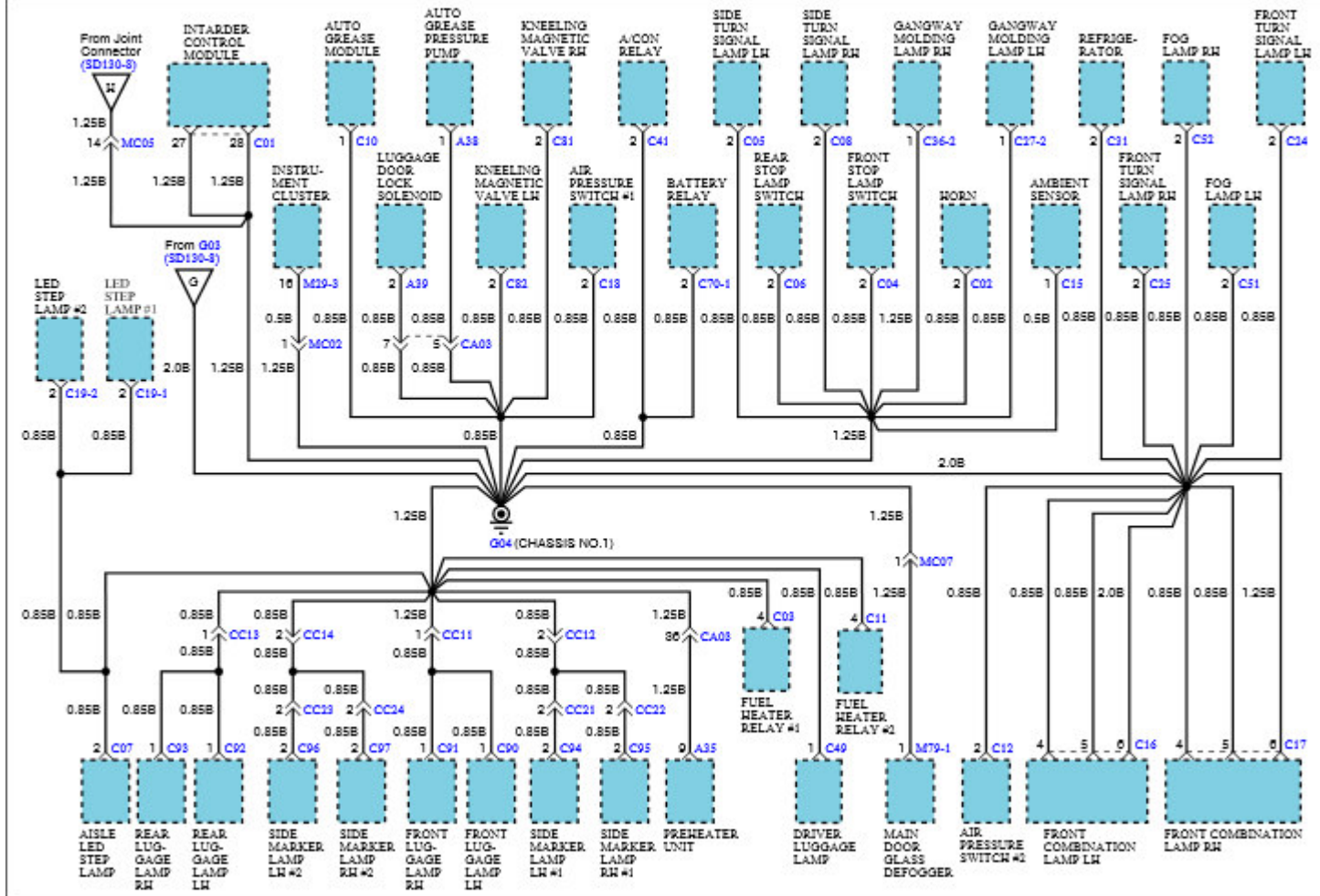








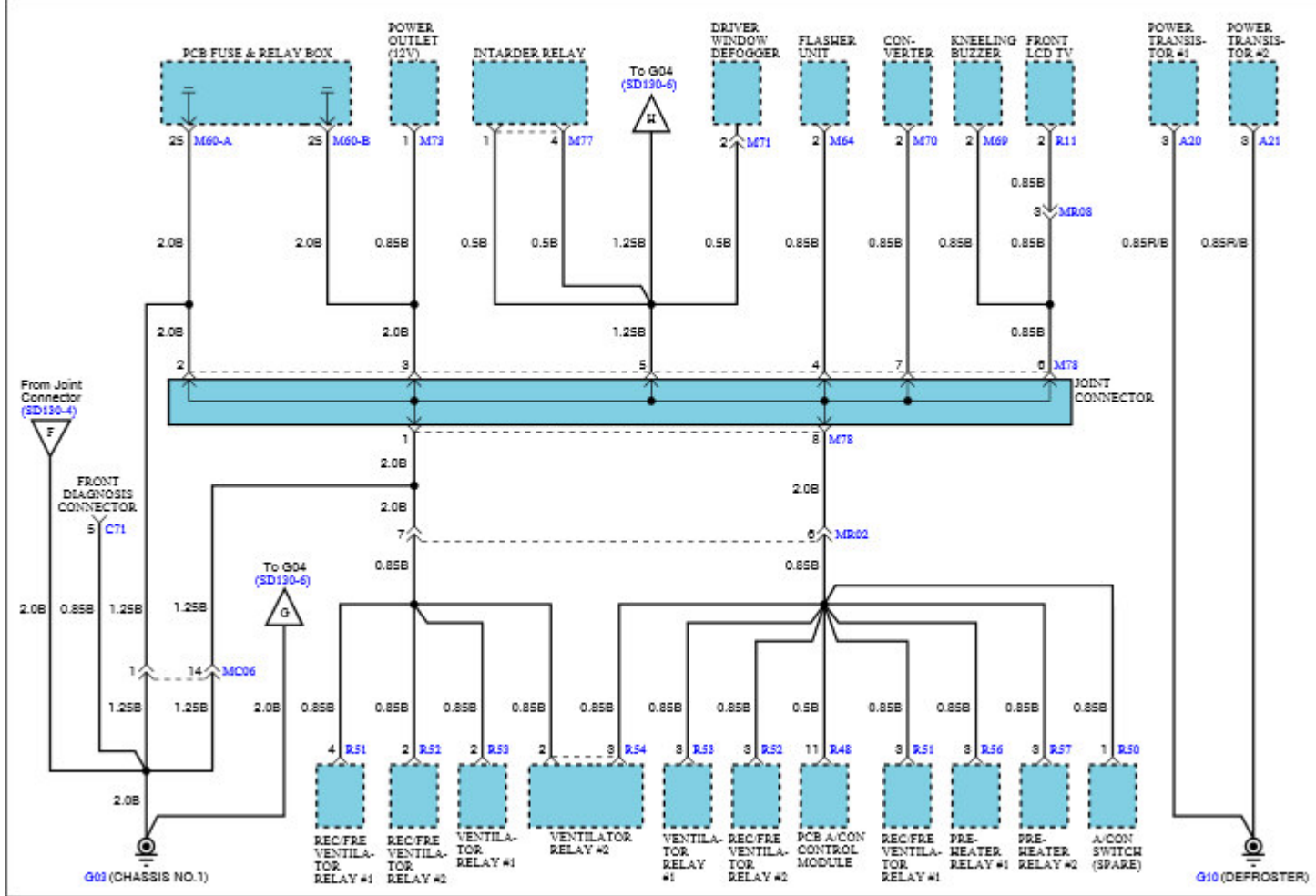










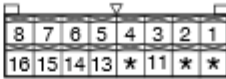

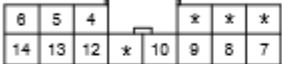




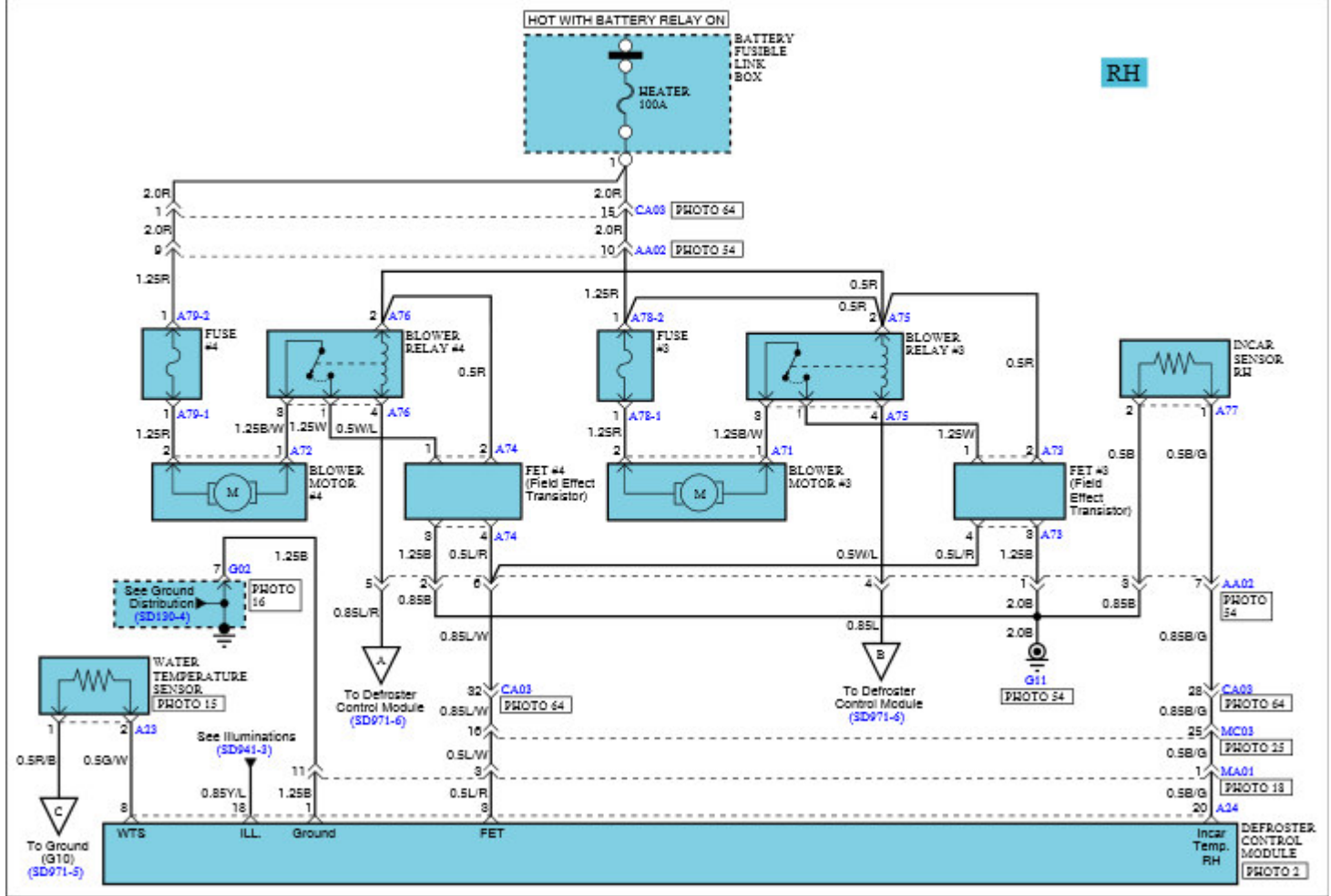


Head Lamps (2)

SD921-2










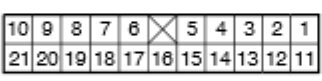










<p style="text-align: center; color: blue;">C16</p>  <p style="text-align: right; font-size: small;">NMWP_6F</p>	<p style="text-align: center; color: blue;">C17</p>  <p style="text-align: right; font-size: small;">NMWP_6F</p>	<p style="text-align: center; color: blue;">M29-2</p>  <p style="text-align: right; font-size: small;">CR16FD19</p>	<p style="text-align: center; color: blue;">M29-4</p>  <p style="text-align: right; font-size: small;">CR16FD19</p>
<p style="text-align: center; color: blue;">M30-1</p>  <p style="text-align: right; font-size: small;">MNK-DL-14F</p>	<p style="text-align: center;">BLANK</p>	<p style="text-align: center;">BLANK</p>	<p style="text-align: center;">BLANK</p>











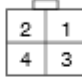








Heater Controls (4)

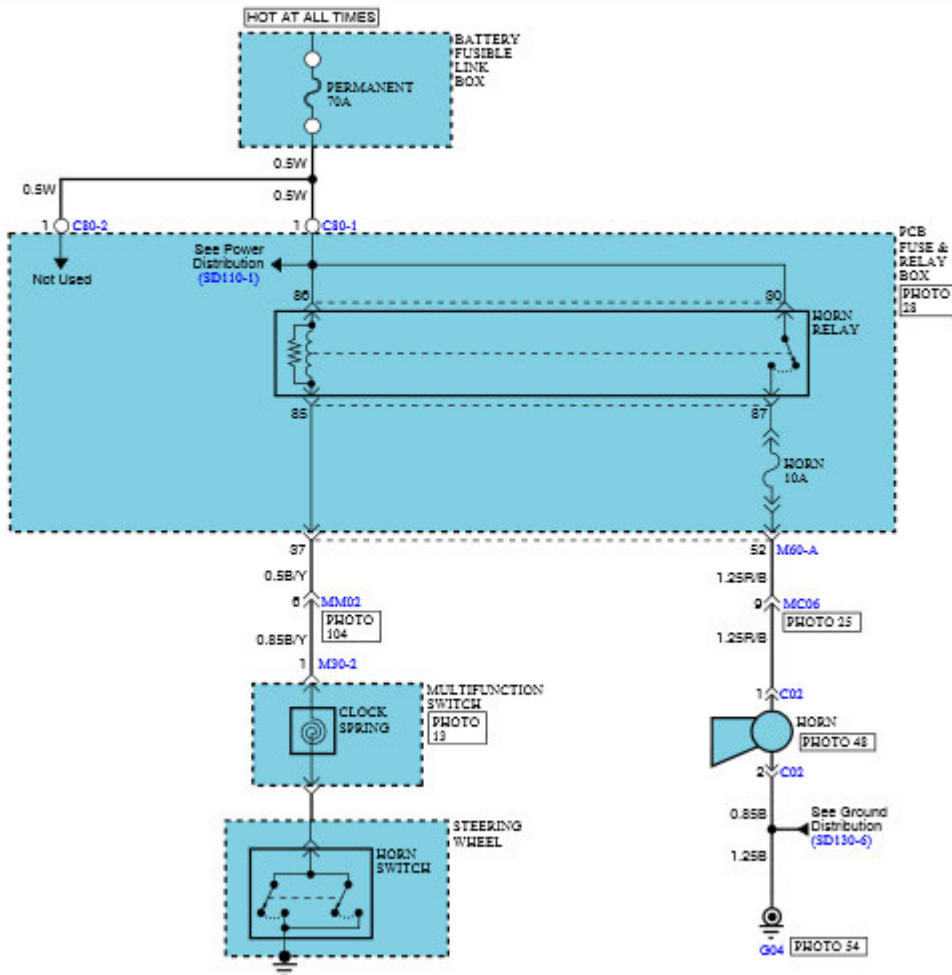
SD971-8

<p>A15</p>  <p>CR05F009</p>	<p>A16</p>  <p>CR05F009</p>	<p>A17</p>  <p>CR05F009</p>	<p>A18</p>  <p>MC_AL_6F</p>
<p>A19</p>  <p>MC_AL_6F</p>	<p>A20</p>  <p>CR04F106</p>	<p>A21</p>  <p>CR04F106</p>	<p>A22</p>  <p>CR04F106</p>
<p>A23</p>  <p>CR02F212</p>	<p>A24</p>  <p>MC_21F</p>	<p>A61</p>  <p>CR02F191</p>	<p>A62</p>  <p>CR02F191</p>
<p>A63</p>  <p>CR04F106</p>	<p>A64</p>  <p>CR04F106</p>	<p>A65</p>  <p>CR04F106</p>	<p>A66</p>  <p>CR04F106</p>
<p>A67</p>  <p>CR02F191</p>	<p>A68-1</p>  <p>CR01F034</p>	<p>A68-2</p>  <p>CR01F034</p>	<p>A69-1</p>  <p>CR01F034</p>

Heater Controls (5)

SD971-9

<p>A69-2</p>  <p>CR01F034</p>	<p>A71</p>  <p>CR02F191</p>	<p>A72</p>  <p>CR02F191</p>	<p>A73</p>  <p>CR04F106</p>
<p>A74</p>  <p>CR04F106</p>	<p>A75</p>  <p>CR04F106</p>	<p>A76</p>  <p>CR04F106</p>	<p>A77</p>  <p>CR02F191</p>
<p>A78-1</p>  <p>CR01F034</p>	<p>A78-2</p>  <p>CR01F034</p>	<p>A79-1</p>  <p>CR01F034</p>	<p>A79-2</p>  <p>CR01F034</p>
<p>C15</p>  <p>CR02F324</p>	<p>M29-3</p>  <p>CR02F021</p>	<p>M29-4</p>  <p>CR16F019</p>	<p>BLANK</p>





C02



NM\_WD\_2F

C30-1



CR01FD04

C30-1

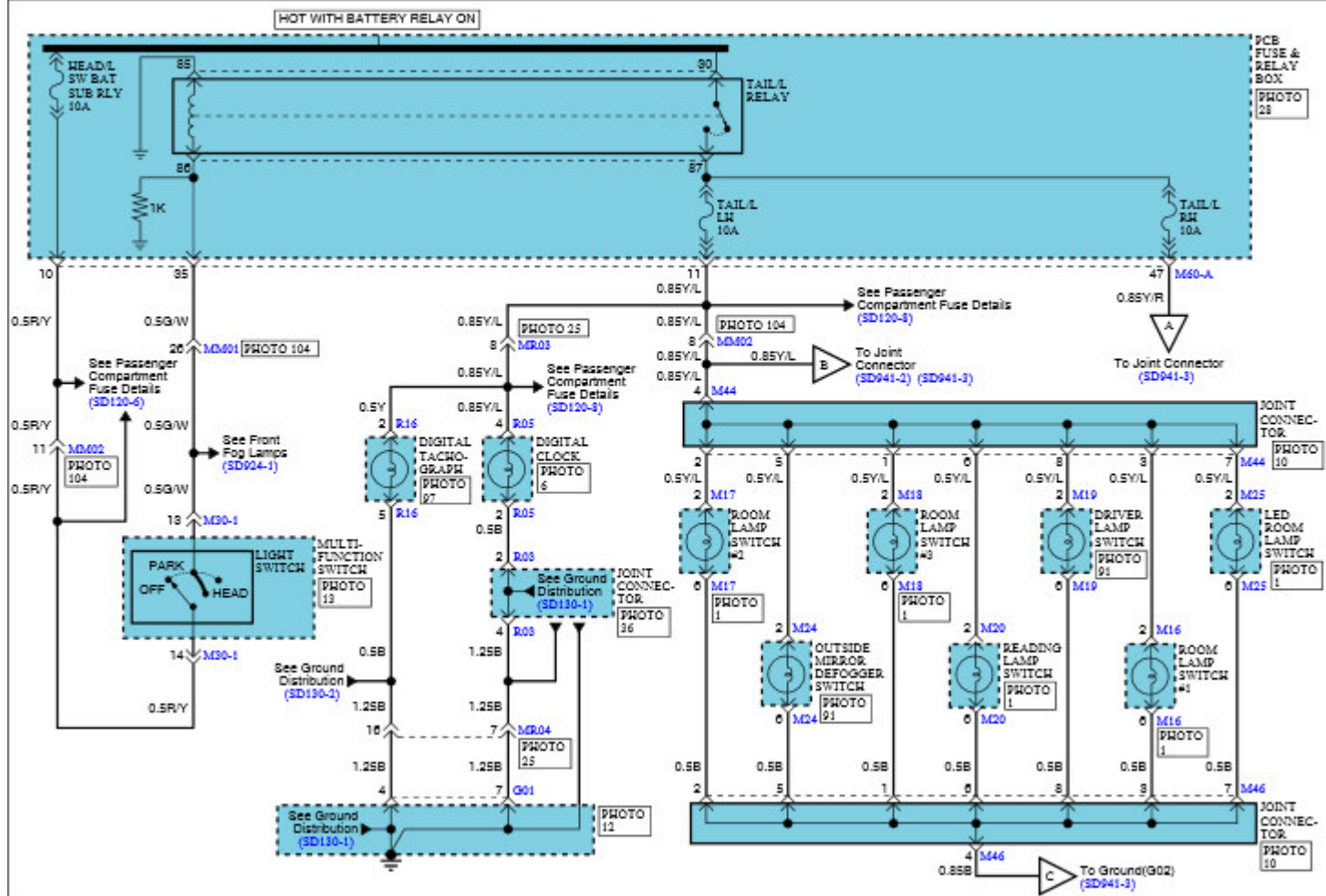


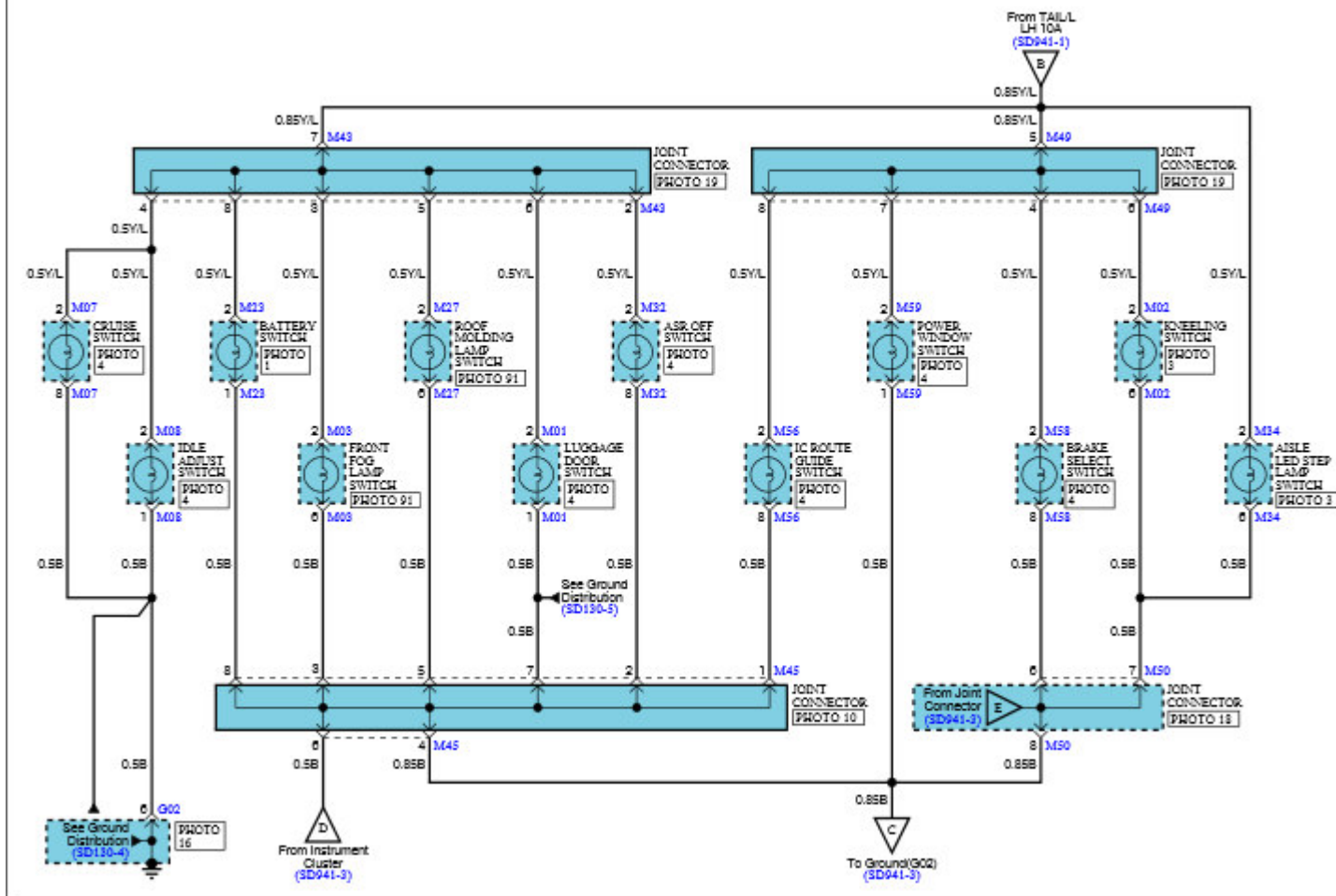
CR01FD04

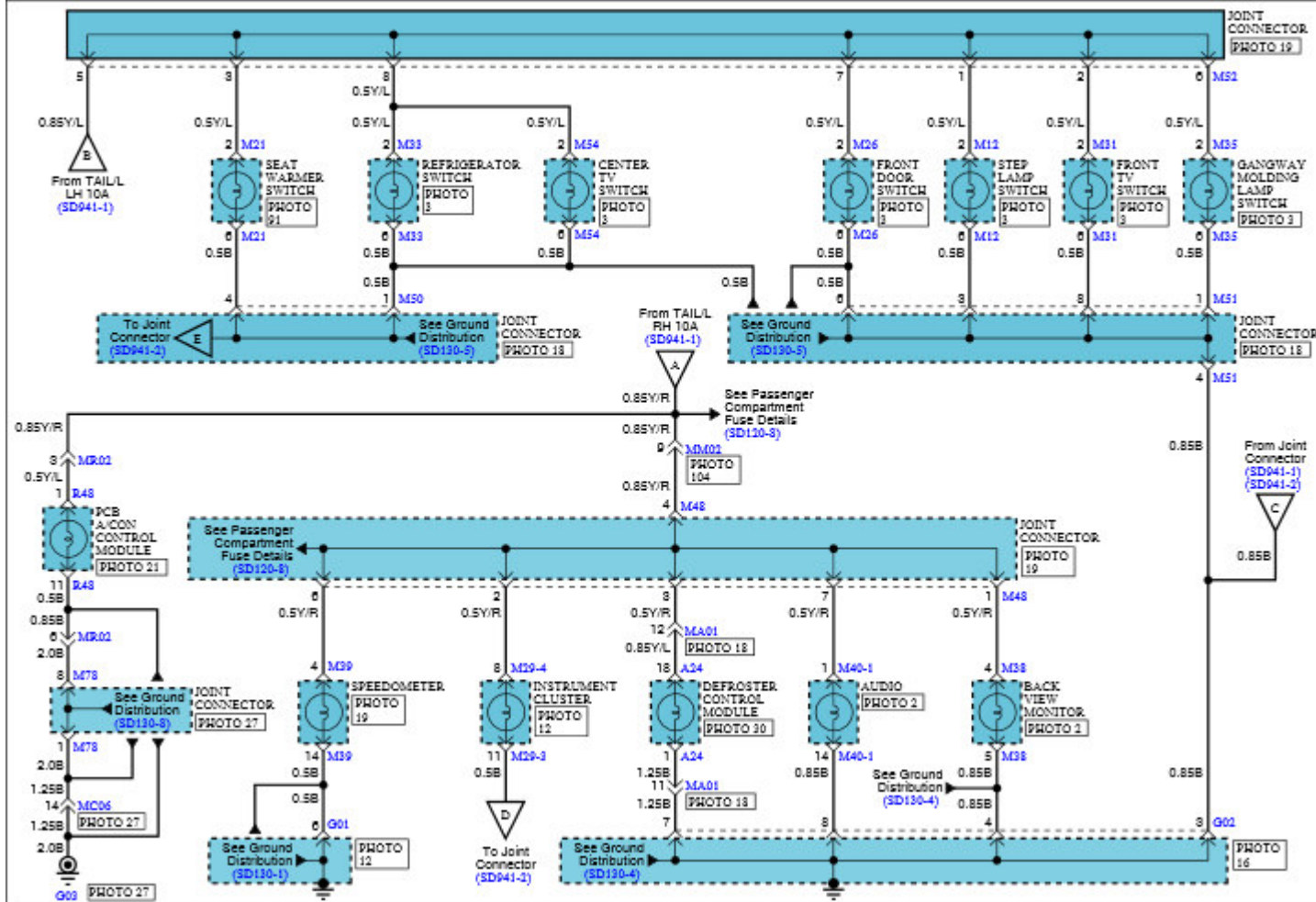
M30-2

8	7	6	5		4	3	2	1	
18	*	*	15	14	13	12	11	10	9

MFK-DL-18F

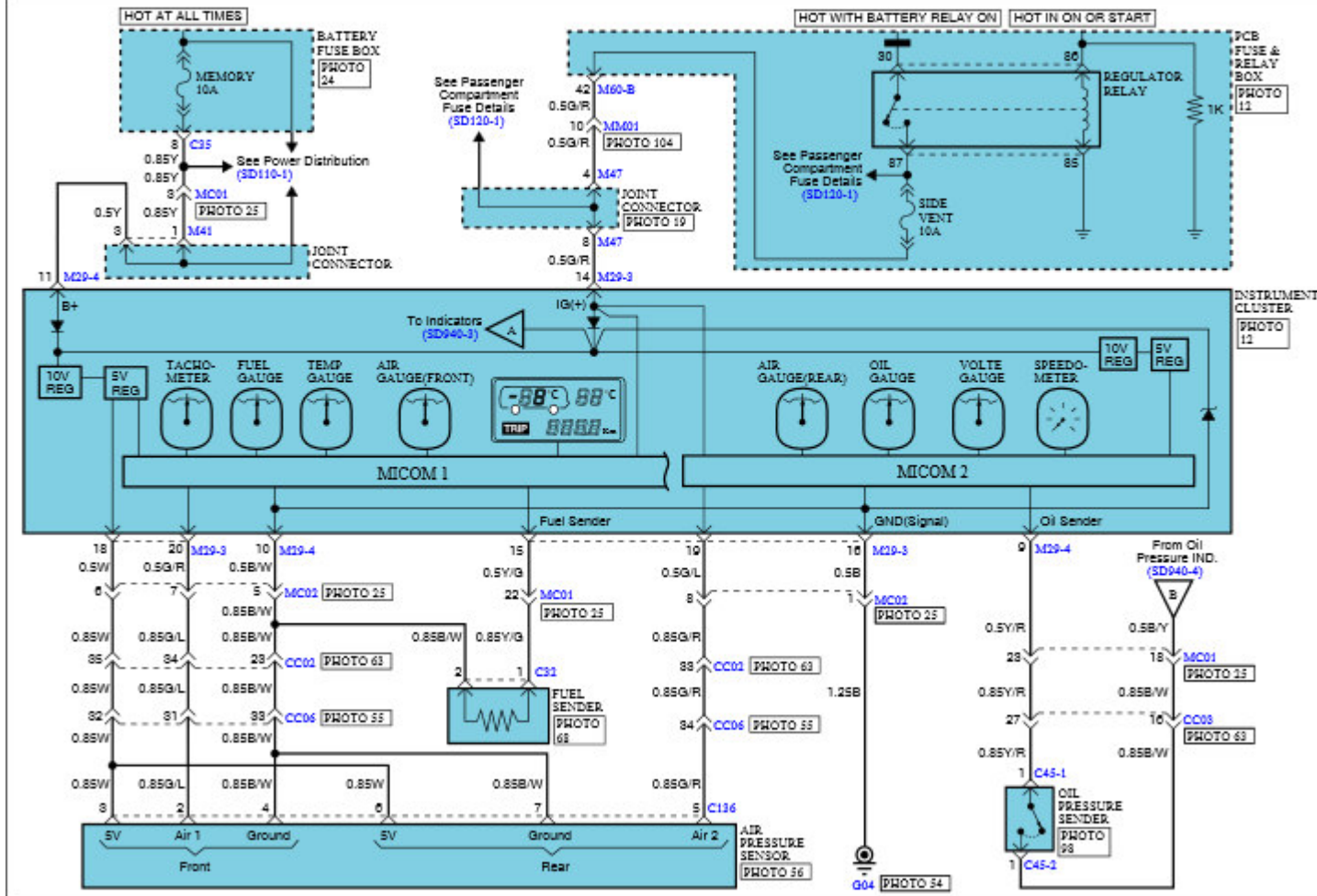




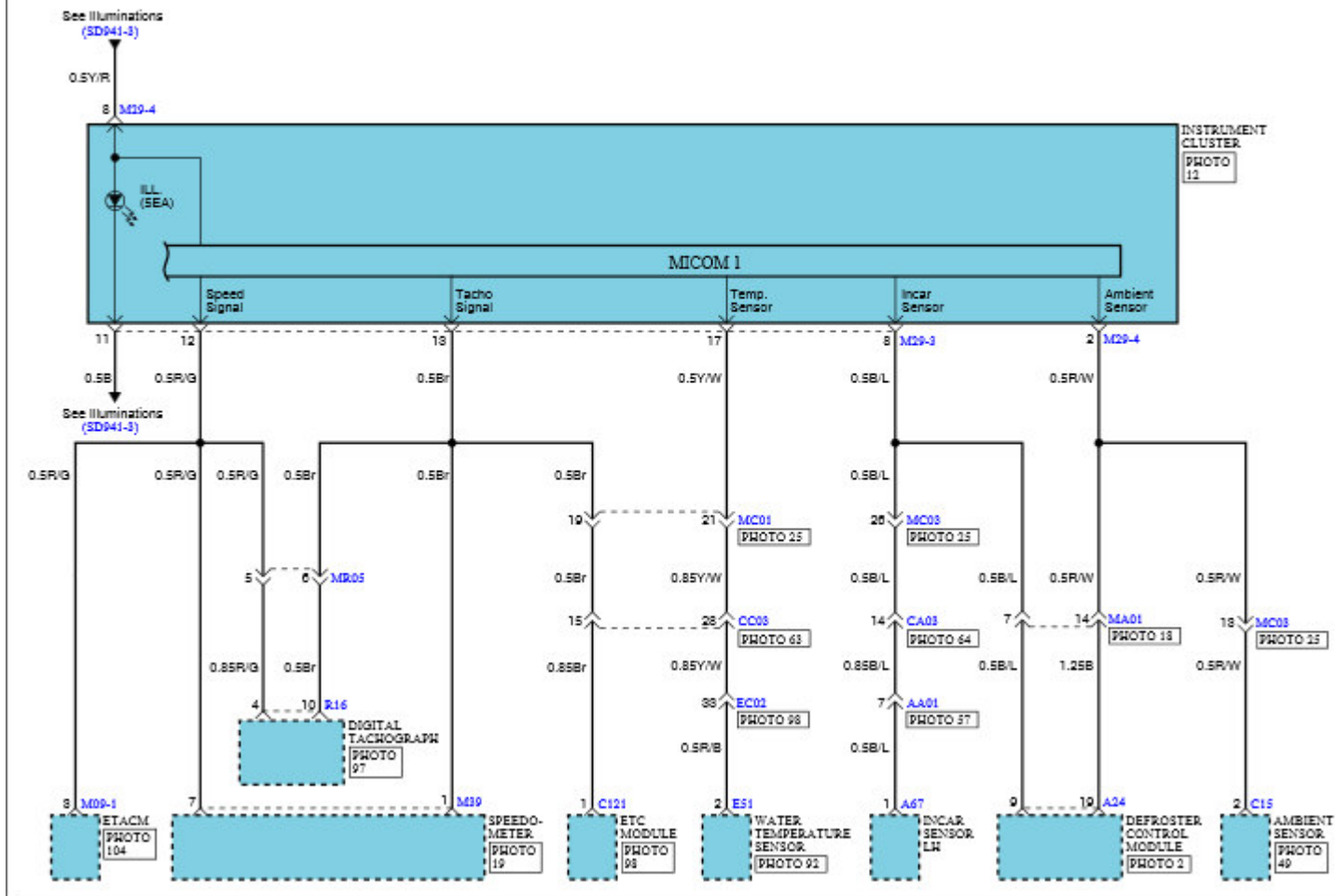


<p>A24</p> <table border="1" style="width: 100%; text-align: center;"> <tr> <td>10</td><td>9</td><td>8</td><td>7</td><td>6</td><td>⊗</td><td>5</td><td>4</td><td>3</td><td>2</td><td>1</td> </tr> <tr> <td>21</td><td>20</td><td>19</td><td>18</td><td>17</td><td>16</td><td>15</td><td>14</td><td>13</td><td>12</td><td>11</td> </tr> </table> <p style="text-align: right; font-size: small;">MC_21F</p>	10	9	8	7	6	⊗	5	4	3	2	1	21	20	19	18	17	16	15	14	13	12	11	<p>M01</p> <table border="1" style="width: 100%; text-align: center;"> <tr> <td style="width: 20px;">*</td><td style="width: 20px;"></td><td style="width: 20px;"></td><td style="width: 20px;">2</td><td style="width: 20px;">1</td> </tr> <tr> <td>8</td><td>7</td><td>*</td><td>5</td><td>4</td> </tr> </table> <p style="text-align: right; font-size: small;">CR08F001</p>	*			2	1	8	7	*	5	4	<p>M02</p> <table border="1" style="width: 100%; text-align: center;"> <tr> <td style="width: 20px;">2</td><td style="width: 20px;"></td><td style="width: 20px;"></td><td style="width: 20px;">*</td> </tr> <tr> <td>6</td><td>5</td><td>4</td><td>*</td> </tr> </table> <p style="text-align: right; font-size: small;">MNK_DL_6F</p>	2			*	6	5	4	*	<p>M03</p> <table border="1" style="width: 100%; text-align: center;"> <tr> <td style="width: 20px;">2</td><td style="width: 20px;"></td><td style="width: 20px;"></td><td style="width: 20px;">1</td> </tr> <tr> <td>6</td><td>5</td><td>4</td><td>3</td> </tr> </table> <p style="text-align: right; font-size: small;">MNK_DL_6F(L)</p>	2			1	6	5	4	3				
10	9	8	7	6	⊗	5	4	3	2	1																																													
21	20	19	18	17	16	15	14	13	12	11																																													
*			2	1																																																			
8	7	*	5	4																																																			
2			*																																																				
6	5	4	*																																																				
2			1																																																				
6	5	4	3																																																				
<p>M07</p> <table border="1" style="width: 100%; text-align: center;"> <tr> <td style="width: 20px;">*</td><td style="width: 20px;"></td><td style="width: 20px;"></td><td style="width: 20px;">2</td><td style="width: 20px;">1</td> </tr> <tr> <td>8</td><td>7</td><td>*</td><td>5</td><td>4</td> </tr> </table> <p style="text-align: right; font-size: small;">CR08F001</p>	*			2	1	8	7	*	5	4	<p>M08</p> <table border="1" style="width: 100%; text-align: center;"> <tr> <td style="width: 20px;">*</td><td style="width: 20px;"></td><td style="width: 20px;"></td><td style="width: 20px;">2</td><td style="width: 20px;">1</td> </tr> <tr> <td>8</td><td>*</td><td>*</td><td>5</td><td>4</td> </tr> </table> <p style="text-align: right; font-size: small;">CR08F001</p>	*			2	1	8	*	*	5	4	<p>M12</p> <table border="1" style="width: 100%; text-align: center;"> <tr> <td style="width: 20px;">2</td><td style="width: 20px;"></td><td style="width: 20px;"></td><td style="width: 20px;">*</td> </tr> <tr> <td>6</td><td>5</td><td>4</td><td>*</td> </tr> </table> <p style="text-align: right; font-size: small;">MNK_DL_6F</p>	2			*	6	5	4	*	<p>M16</p> <table border="1" style="width: 100%; text-align: center;"> <tr> <td style="width: 20px;">2</td><td style="width: 20px;"></td><td style="width: 20px;"></td><td style="width: 20px;">*</td> </tr> <tr> <td>6</td><td>5</td><td>4</td><td>*</td> </tr> </table> <p style="text-align: right; font-size: small;">MNK_DL_6F</p>	2			*	6	5	4	*																
*			2	1																																																			
8	7	*	5	4																																																			
*			2	1																																																			
8	*	*	5	4																																																			
2			*																																																				
6	5	4	*																																																				
2			*																																																				
6	5	4	*																																																				
<p>M17</p> <table border="1" style="width: 100%; text-align: center;"> <tr> <td style="width: 20px;">2</td><td style="width: 20px;"></td><td style="width: 20px;"></td><td style="width: 20px;">*</td> </tr> <tr> <td>6</td><td>5</td><td>4</td><td>*</td> </tr> </table> <p style="text-align: right; font-size: small;">MNK_DL_6F(R)</p>	2			*	6	5	4	*	<p>M18</p> <table border="1" style="width: 100%; text-align: center;"> <tr> <td style="width: 20px;">2</td><td style="width: 20px;"></td><td style="width: 20px;"></td><td style="width: 20px;">*</td> </tr> <tr> <td>6</td><td>5</td><td>4</td><td>*</td> </tr> </table> <p style="text-align: right; font-size: small;">MNK_DL_6F(L)</p>	2			*	6	5	4	*	<p>M19</p> <table border="1" style="width: 100%; text-align: center;"> <tr> <td style="width: 20px;">2</td><td style="width: 20px;"></td><td style="width: 20px;"></td><td style="width: 20px;">*</td> </tr> <tr> <td>6</td><td>5</td><td>4</td><td>*</td> </tr> </table> <p style="text-align: right; font-size: small;">MNK_DL_6F(R)</p>	2			*	6	5	4	*	<p>M20</p> <table border="1" style="width: 100%; text-align: center;"> <tr> <td style="width: 20px;">2</td><td style="width: 20px;"></td><td style="width: 20px;"></td><td style="width: 20px;">*</td> </tr> <tr> <td>6</td><td>5</td><td>4</td><td>*</td> </tr> </table> <p style="text-align: right; font-size: small;">MNK_DL_6F(L)</p>	2			*	6	5	4	*																				
2			*																																																				
6	5	4	*																																																				
2			*																																																				
6	5	4	*																																																				
2			*																																																				
6	5	4	*																																																				
2			*																																																				
6	5	4	*																																																				
<p>M21</p> <table border="1" style="width: 100%; text-align: center;"> <tr> <td style="width: 20px;">2</td><td style="width: 20px;"></td><td style="width: 20px;"></td><td style="width: 20px;">1</td> </tr> <tr> <td>6</td><td>5</td><td>4</td><td>3</td> </tr> </table> <p style="text-align: right; font-size: small;">MNK_DL_6F</p>	2			1	6	5	4	3	<p>M23</p> <table border="1" style="width: 100%; text-align: center;"> <tr> <td style="width: 20px;">3</td><td style="width: 20px;">2</td><td style="width: 20px;"></td><td style="width: 20px;">1</td> </tr> <tr> <td>*</td><td>6</td><td>*</td><td>4</td> </tr> </table> <p style="text-align: right; font-size: small;">PA_7F</p>	3	2		1	*	6	*	4	<p>M24</p> <table border="1" style="width: 100%; text-align: center;"> <tr> <td style="width: 20px;">2</td><td style="width: 20px;"></td><td style="width: 20px;"></td><td style="width: 20px;">*</td> </tr> <tr> <td>6</td><td>5</td><td>4</td><td>*</td> </tr> </table> <p style="text-align: right; font-size: small;">MNK_DL_6F</p>	2			*	6	5	4	*	<p>M25</p> <table border="1" style="width: 100%; text-align: center;"> <tr> <td style="width: 20px;">2</td><td style="width: 20px;"></td><td style="width: 20px;"></td><td style="width: 20px;">*</td> </tr> <tr> <td>6</td><td>5</td><td>4</td><td>*</td> </tr> </table> <p style="text-align: right; font-size: small;">MNK_DL_6F(R)</p>	2			*	6	5	4	*																				
2			1																																																				
6	5	4	3																																																				
3	2		1																																																				
*	6	*	4																																																				
2			*																																																				
6	5	4	*																																																				
2			*																																																				
6	5	4	*																																																				
<p>M26</p> <table border="1" style="width: 100%; text-align: center;"> <tr> <td style="width: 20px;">2</td><td style="width: 20px;"></td><td style="width: 20px;"></td><td style="width: 20px;">1</td> </tr> <tr> <td>6</td><td>5</td><td>4</td><td>3</td> </tr> </table> <p style="text-align: right; font-size: small;">MNK_DL_6F</p>	2			1	6	5	4	3	<p>M27</p> <table border="1" style="width: 100%; text-align: center;"> <tr> <td style="width: 20px;">2</td><td style="width: 20px;"></td><td style="width: 20px;"></td><td style="width: 20px;">*</td> </tr> <tr> <td>6</td><td>5</td><td>4</td><td>*</td> </tr> </table> <p style="text-align: right; font-size: small;">MNK_DL_6F(L)</p>	2			*	6	5	4	*	<p>M29-3</p> <table border="1" style="width: 100%; text-align: center;"> <tr> <td style="width: 20px;">*</td><td style="width: 20px;">9</td><td style="width: 20px;">8</td><td style="width: 20px;">7</td><td style="width: 20px;">*</td><td style="width: 20px;">5</td><td style="width: 20px;">4</td><td style="width: 20px;">3</td><td style="width: 20px;">2</td><td style="width: 20px;">1</td> </tr> <tr> <td>20</td><td>19</td><td>18</td><td>17</td><td>16</td><td>15</td><td>14</td><td>13</td><td>12</td><td>11</td> </tr> </table> <p style="text-align: right; font-size: small;">CR20F021</p>	*	9	8	7	*	5	4	3	2	1	20	19	18	17	16	15	14	13	12	11	<p>M29-4</p> <table border="1" style="width: 100%; text-align: center;"> <tr> <td style="width: 20px;">8</td><td style="width: 20px;">7</td><td style="width: 20px;">6</td><td style="width: 20px;">5</td><td style="width: 20px;">*</td><td style="width: 20px;">*</td><td style="width: 20px;">2</td><td style="width: 20px;">1</td> </tr> <tr> <td>16</td><td>15</td><td>*</td><td>13</td><td>12</td><td>11</td><td>10</td><td>9</td> </tr> </table> <p style="text-align: right; font-size: small;">CR16F019</p>	8	7	6	5	*	*	2	1	16	15	*	13	12	11	10	9
2			1																																																				
6	5	4	3																																																				
2			*																																																				
6	5	4	*																																																				
*	9	8	7	*	5	4	3	2	1																																														
20	19	18	17	16	15	14	13	12	11																																														
8	7	6	5	*	*	2	1																																																
16	15	*	13	12	11	10	9																																																

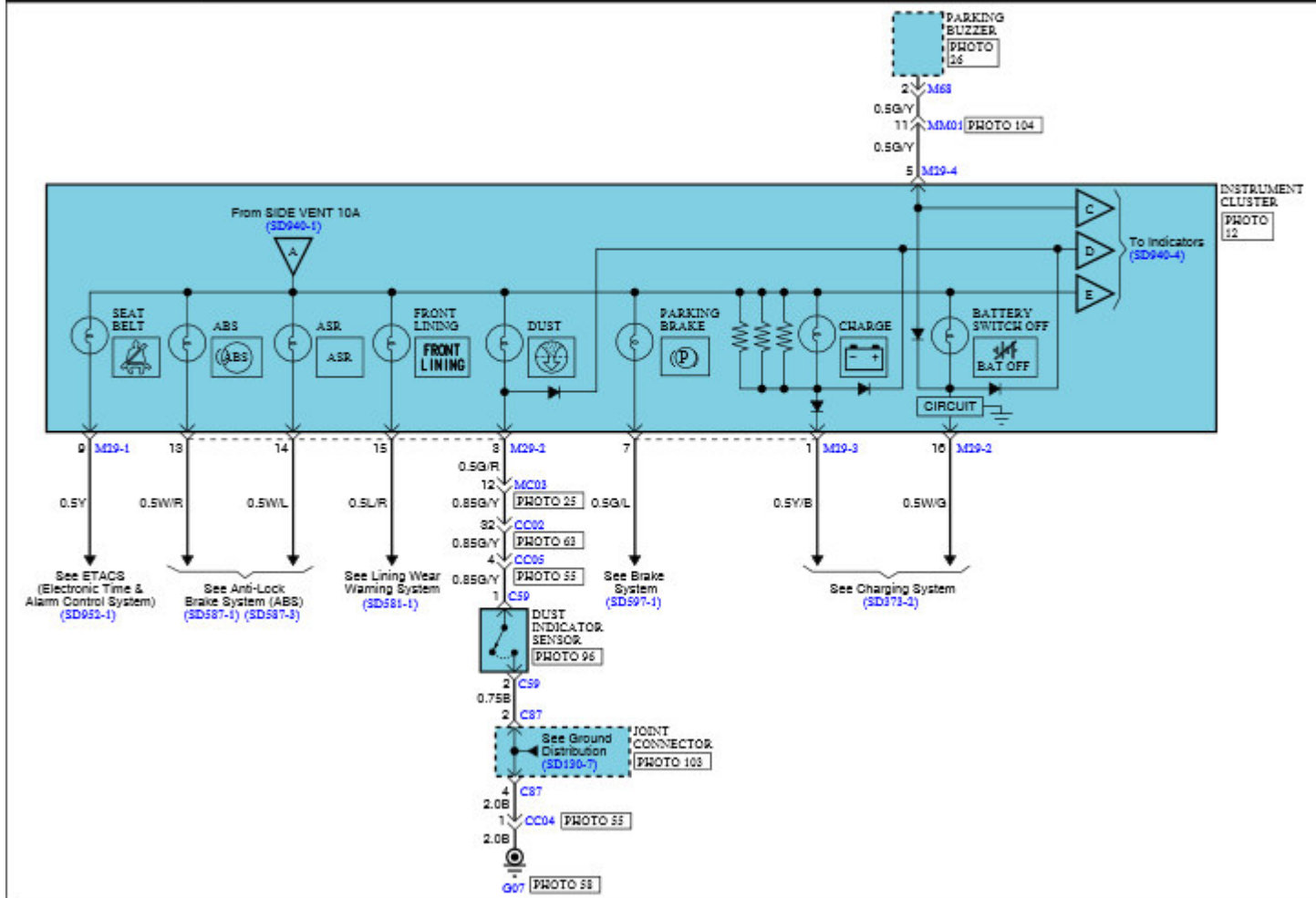
<p>M30-1</p> <table border="1"> <tr><td>6</td><td>5</td><td>4</td><td></td><td></td><td>*</td><td>*</td><td>*</td></tr> <tr><td>14</td><td>13</td><td>12</td><td>*</td><td>10</td><td>9</td><td>8</td><td>7</td></tr> </table> <p>MNK_DL_14F</p>	6	5	4			*	*	*	14	13	12	*	10	9	8	7	<p>M31</p> <table border="1"> <tr><td>2</td><td></td><td></td><td></td><td>1</td></tr> <tr><td>6</td><td>5</td><td>4</td><td>3</td><td></td></tr> </table> <p>MNK_DL_6F</p>	2				1	6	5	4	3		<p>M32</p> <table border="1"> <tr><td>*</td><td></td><td></td><td>2</td><td>*</td></tr> <tr><td>8</td><td>*</td><td>*</td><td>5</td><td>4</td></tr> </table> <p>CR08F031</p>	*			2	*	8	*	*	5	4	<p>M33</p> <table border="1"> <tr><td>2</td><td></td><td></td><td></td><td>1</td></tr> <tr><td>6</td><td>5</td><td>4</td><td>3</td><td></td></tr> </table> <p>MNK_DL_6F</p>	2				1	6	5	4	3												
6	5	4			*	*	*																																																					
14	13	12	*	10	9	8	7																																																					
2				1																																																								
6	5	4	3																																																									
*			2	*																																																								
8	*	*	5	4																																																								
2				1																																																								
6	5	4	3																																																									
<p>M34</p> <table border="1"> <tr><td>2</td><td></td><td></td><td></td><td>*</td></tr> <tr><td>6</td><td>5</td><td>4</td><td>*</td><td></td></tr> </table> <p>MNK_DL_6F</p>	2				*	6	5	4	*		<p>M35</p> <table border="1"> <tr><td>2</td><td></td><td></td><td></td><td>1</td></tr> <tr><td>6</td><td>5</td><td>4</td><td>3</td><td></td></tr> </table> <p>MNK_DL_6F</p>	2				1	6	5	4	3		<p>M36</p> <table border="1"> <tr><td>4</td><td>*</td><td>*</td><td>1</td><td></td></tr> <tr><td>8</td><td>*</td><td>*</td><td>5</td><td></td></tr> </table> <p>CR08F033</p>	4	*	*	1		8	*	*	5		<p>M39</p> <table border="1"> <tr><td>6</td><td>5</td><td>4</td><td></td><td></td><td>3</td><td>*</td><td>1</td></tr> <tr><td>14</td><td>13</td><td>*</td><td>*</td><td>*</td><td>9</td><td>8</td><td>7</td></tr> </table> <p>MNK_DL_14F</p>	6	5	4			3	*	1	14	13	*	*	*	9	8	7											
2				*																																																								
6	5	4	*																																																									
2				1																																																								
6	5	4	3																																																									
4	*	*	1																																																									
8	*	*	5																																																									
6	5	4			3	*	1																																																					
14	13	*	*	*	9	8	7																																																					
<p>M40-1</p> <table border="1"> <tr><td>18</td><td>12</td><td>11</td><td>*</td><td>9</td><td>8</td><td>*</td><td>*</td><td>*</td><td>*</td><td>2</td><td>1</td></tr> <tr><td>26</td><td>25</td><td>24</td><td>*</td><td>22</td><td>21</td><td>20</td><td>*</td><td>*</td><td>*</td><td>15</td><td>14</td></tr> </table> <p>CR26F015</p>	18	12	11	*	9	8	*	*	*	*	2	1	26	25	24	*	22	21	20	*	*	*	15	14	<p>M54</p> <table border="1"> <tr><td>2</td><td></td><td></td><td></td><td>1</td></tr> <tr><td>6</td><td>5</td><td>4</td><td>3</td><td></td></tr> </table> <p>MNK_DL_6F</p>	2				1	6	5	4	3		<p>M56</p> <table border="1"> <tr><td>*</td><td></td><td></td><td>2</td><td>*</td></tr> <tr><td>8</td><td>*</td><td>*</td><td>5</td><td>4</td></tr> </table> <p>CR08F031</p>	*			2	*	8	*	*	5	4	<p>M58</p> <table border="1"> <tr><td>*</td><td></td><td></td><td>2</td><td>1</td></tr> <tr><td>8</td><td>7</td><td>6</td><td>5</td><td>4</td></tr> </table> <p>CR08F031</p>	*			2	1	8	7	6	5	4			
18	12	11	*	9	8	*	*	*	*	2	1																																																	
26	25	24	*	22	21	20	*	*	*	15	14																																																	
2				1																																																								
6	5	4	3																																																									
*			2	*																																																								
8	*	*	5	4																																																								
*			2	1																																																								
8	7	6	5	4																																																								
<p>M59</p> <table border="1"> <tr><td>*</td><td>*</td><td></td><td>2</td><td>1</td></tr> <tr><td>9</td><td>8</td><td>*</td><td>6</td><td>5</td></tr> </table> <p>CR09F001</p>	*	*		2	1	9	8	*	6	5	<p>R05</p> <table border="1"> <tr><td></td><td></td><td></td><td></td><td></td></tr> <tr><td></td><td></td><td></td><td></td><td></td></tr> <tr><td>4</td><td>3</td><td>2</td><td>1</td><td></td></tr> </table> <p>CR04F002</p>											4	3	2	1		<p>R16</p> <table border="1"> <tr><td>4</td><td>3</td><td></td><td></td><td>2</td><td>1</td></tr> <tr><td>10</td><td>*</td><td>*</td><td>7</td><td>6</td><td>5</td></tr> </table> <p>CR10F004</p>	4	3			2	1	10	*	*	7	6	5	<p>R43</p> <table border="1"> <tr><td>10</td><td>9</td><td>8</td><td>7</td><td>6</td><td>5</td><td>*</td><td>*</td><td>*</td><td>1</td></tr> <tr><td>20</td><td>19</td><td>18</td><td>*</td><td>16</td><td>*</td><td>*</td><td>*</td><td>*</td><td>11</td></tr> </table> <p>SP_20F</p>	10	9	8	7	6	5	*	*	*	1	20	19	18	*	16	*	*	*	*	11
*	*		2	1																																																								
9	8	*	6	5																																																								
4	3	2	1																																																									
4	3			2	1																																																							
10	*	*	7	6	5																																																							
10	9	8	7	6	5	*	*	*	1																																																			
20	19	18	*	16	*	*	*	*	11																																																			

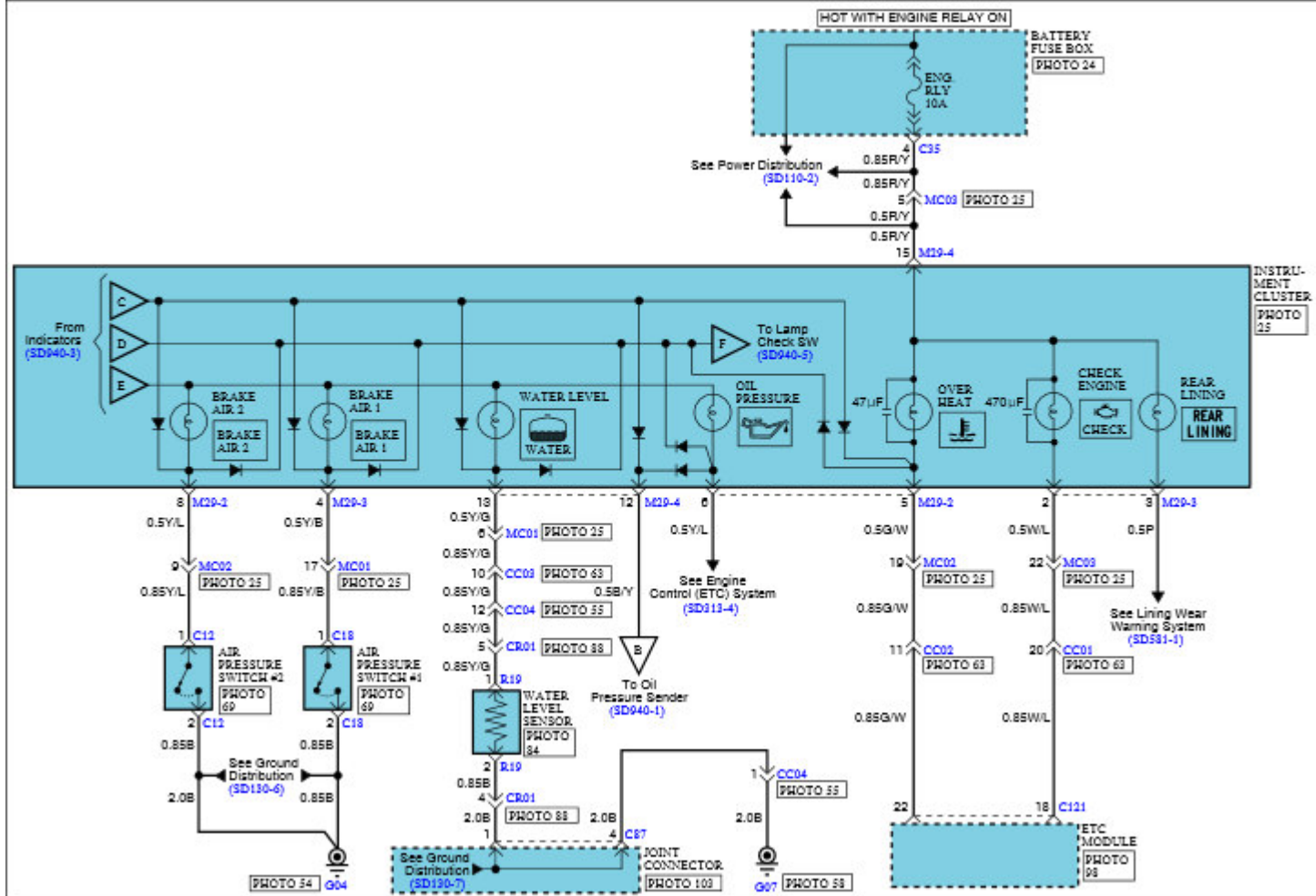


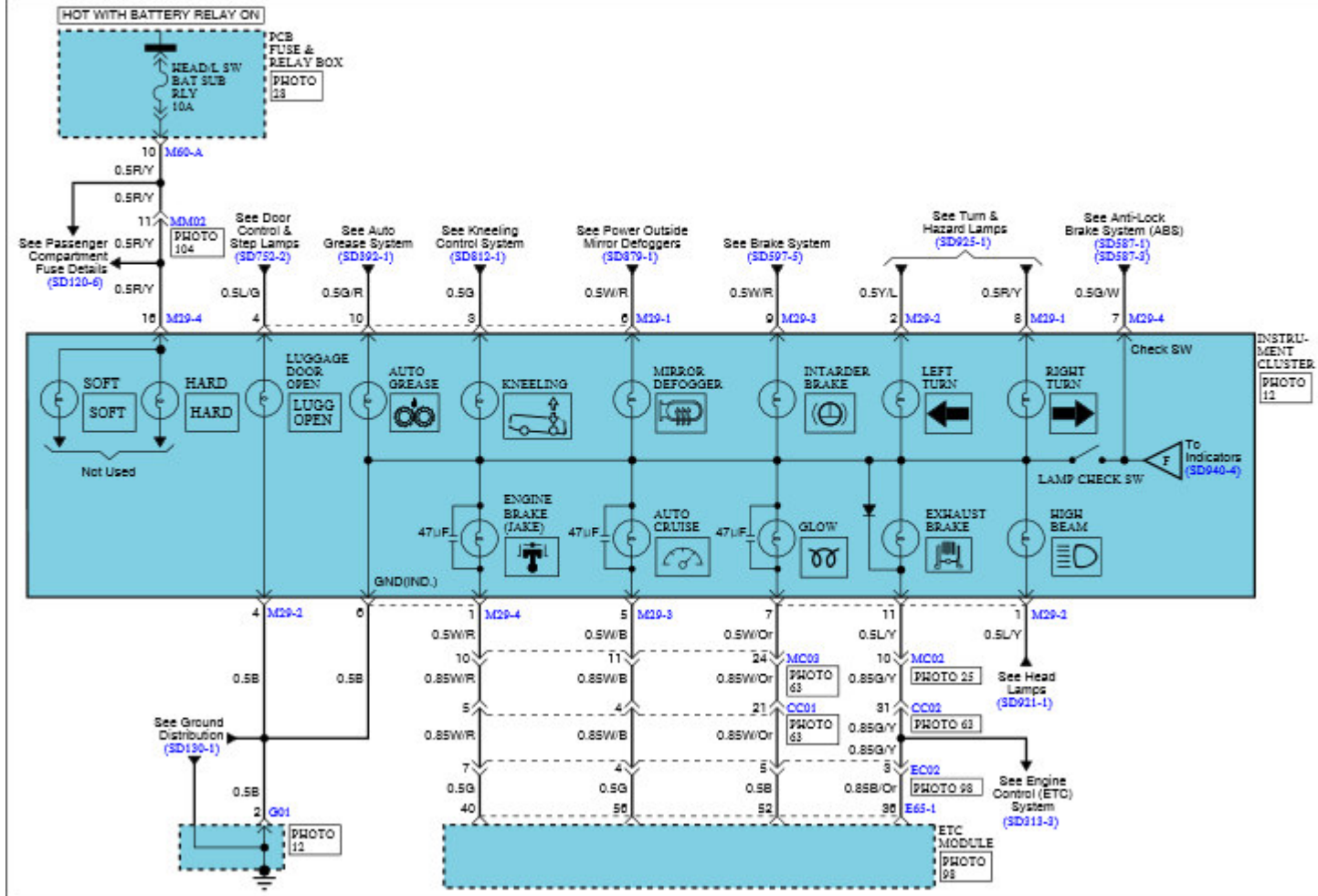







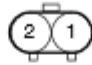

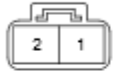
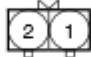


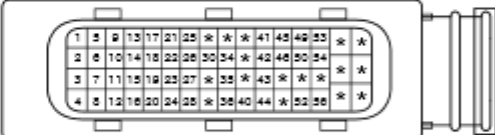
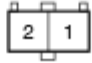


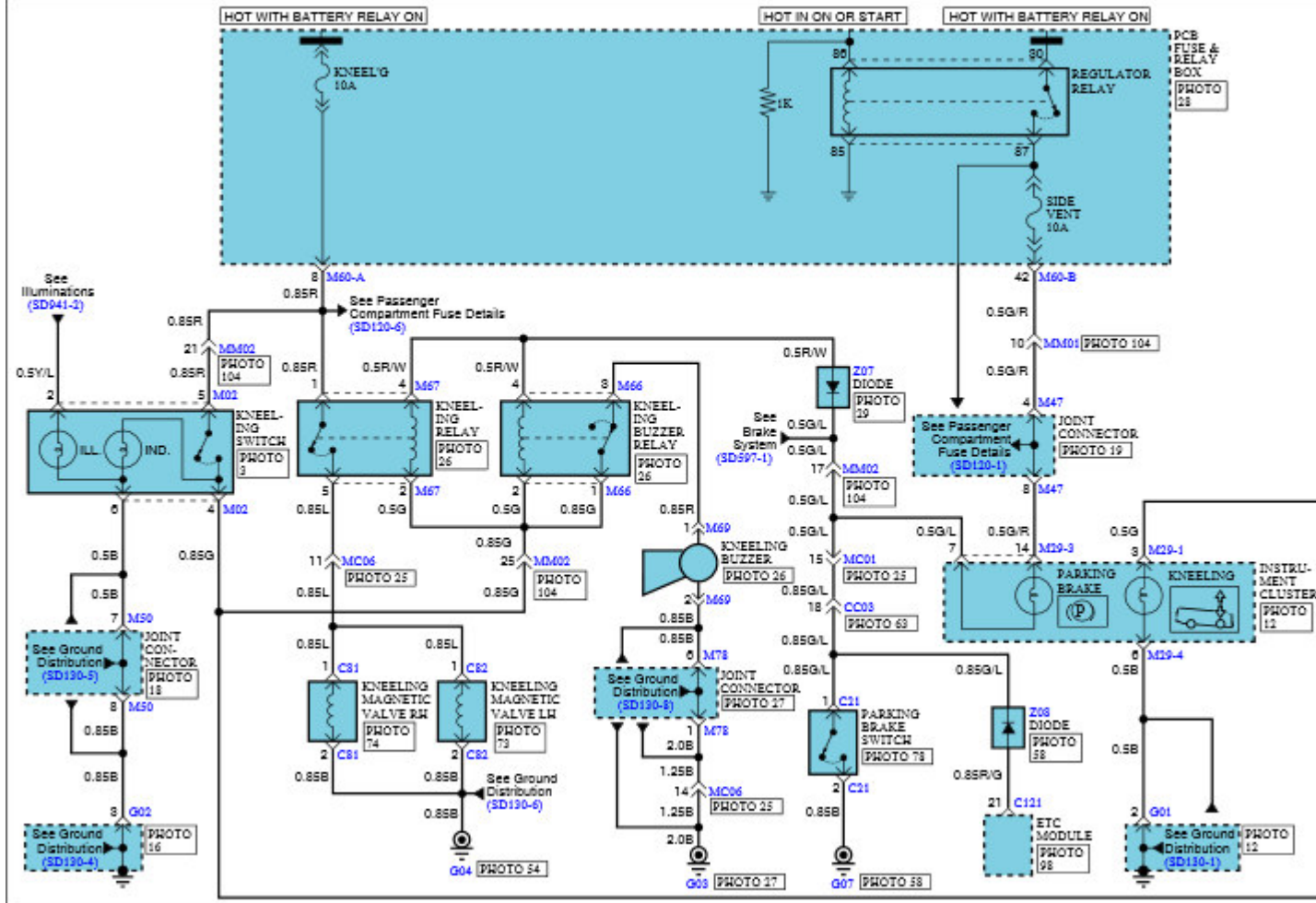


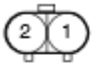
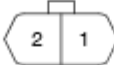
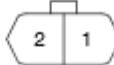


Indicators & Gauges (6)

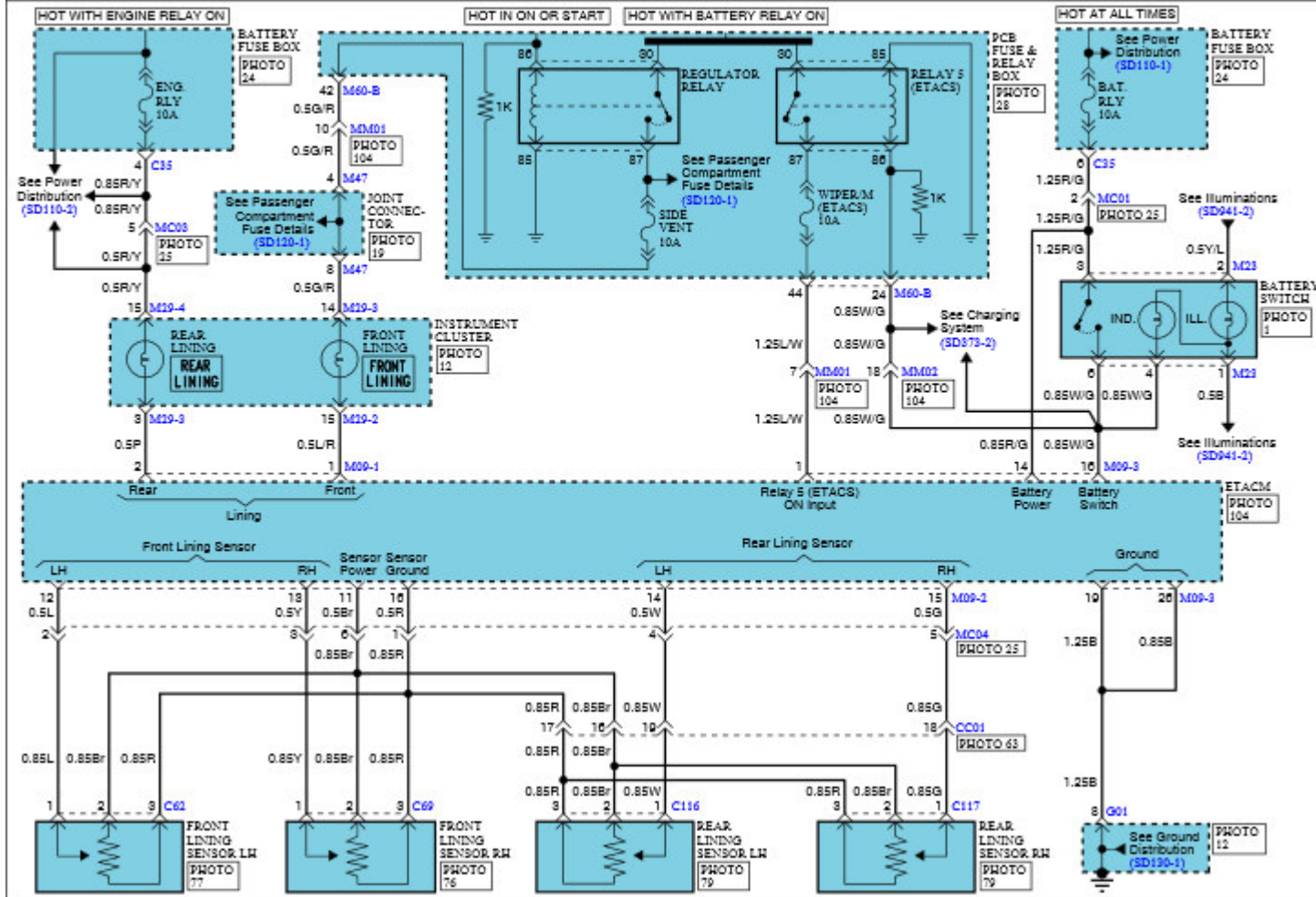
SD940-6





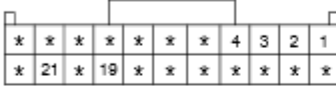
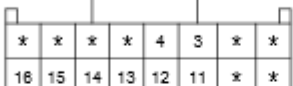

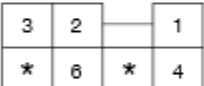
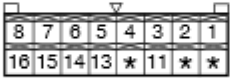
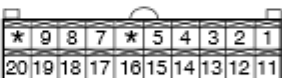

<p><b>A24</b></p> <table border="1"> <tr><td>10</td><td>9</td><td>8</td><td>7</td><td>6</td><td>5</td><td>4</td><td>3</td><td>2</td><td>1</td></tr> <tr><td>21</td><td>20</td><td>19</td><td>18</td><td>17</td><td>16</td><td>15</td><td>14</td><td>13</td><td>12</td><td>11</td></tr> </table> <p>CR21F001</p>	10	9	8	7	6	5	4	3	2	1	21	20	19	18	17	16	15	14	13	12	11	<p><b>A67</b></p>  <p>CR02F191</p>	<p><b>C12 / C18</b></p>  <p>CR02F029</p>	<p><b>C15</b></p>  <p>CR02F324</p>																																																	
10	9	8	7	6	5	4	3	2	1																																																																
21	20	19	18	17	16	15	14	13	12	11																																																															
<p><b>C32</b></p>  <p>NMWP_2F</p>	<p><b>C59 / R19</b></p>  <p>CR02F040</p>	<p><b>C121</b></p> <table border="1"> <tr><td>1</td><td>*</td><td>0</td><td>*</td><td>*</td><td>21</td><td>*</td><td>*</td><td>33</td><td>37</td><td>41</td><td>45</td><td>40</td><td>53</td><td>57</td><td>00</td></tr> <tr><td>2</td><td>*</td><td>*</td><td>*</td><td>18</td><td>22</td><td>*</td><td>*</td><td>34</td><td>*</td><td>42</td><td>46</td><td>50</td><td>54</td><td>58</td><td>01</td></tr> <tr><td>*</td><td>7</td><td>11</td><td>*</td><td>10</td><td>*</td><td>27</td><td>*</td><td>35</td><td>*</td><td>43</td><td>47</td><td>*</td><td>*</td><td>*</td><td>*</td></tr> <tr><td>4</td><td>8</td><td>*</td><td>10</td><td>20</td><td>24</td><td>*</td><td>32</td><td>30</td><td>40</td><td>44</td><td>48</td><td>*</td><td>*</td><td>50</td><td>02</td></tr> </table> <p>CR62F002</p>		1	*	0	*	*	21	*	*	33	37	41	45	40	53	57	00	2	*	*	*	18	22	*	*	34	*	42	46	50	54	58	01	*	7	11	*	10	*	27	*	35	*	43	47	*	*	*	*	4	8	*	10	20	24	*	32	30	40	44	48	*	*	50	02						
1	*	0	*	*	21	*	*	33	37	41	45	40	53	57	00																																																										
2	*	*	*	18	22	*	*	34	*	42	46	50	54	58	01																																																										
*	7	11	*	10	*	27	*	35	*	43	47	*	*	*	*																																																										
4	8	*	10	20	24	*	32	30	40	44	48	*	*	50	02																																																										
<p><b>C136</b></p>  <p>CR07F016</p>	<p><b>E51</b></p>  <p>CR03F073</p>	<p><b>E65-1</b></p>  <p>CR62F001</p>																																																																							
<p><b>M20-1</b></p> <table border="1"> <tr><td>*</td><td>*</td><td>*</td><td>*</td><td>*</td><td>*</td><td>*</td><td>4</td><td>3</td><td>2</td><td>1</td></tr> <tr><td>*</td><td>21</td><td>*</td><td>19</td><td>*</td><td>*</td><td>*</td><td>*</td><td>*</td><td>*</td><td>*</td></tr> </table> <p>CR22F020</p>	*	*	*	*	*	*	*	4	3	2	1	*	21	*	19	*	*	*	*	*	*	*	<p><b>M20-1</b></p> <table border="1"> <tr><td>6</td><td>*</td><td>4</td><td>3</td><td>*</td><td>*</td></tr> <tr><td>*</td><td>*</td><td>10</td><td>9</td><td>8</td><td>*</td></tr> </table> <p>CR12F031</p>	6	*	4	3	*	*	*	*	10	9	8	*	<p><b>M20-2</b></p> <table border="1"> <tr><td>8</td><td>7</td><td>6</td><td>5</td><td>4</td><td>3</td><td>2</td><td>1</td></tr> <tr><td>16</td><td>15</td><td>14</td><td>13</td><td>*</td><td>11</td><td>*</td><td>*</td></tr> </table> <p>CR16F019</p>	8	7	6	5	4	3	2	1	16	15	14	13	*	11	*	*	<p><b>M20-3</b></p> <table border="1"> <tr><td>*</td><td>9</td><td>8</td><td>7</td><td>*</td><td>5</td><td>4</td><td>3</td><td>2</td><td>1</td></tr> <tr><td>20</td><td>19</td><td>18</td><td>17</td><td>16</td><td>15</td><td>14</td><td>13</td><td>12</td><td>11</td></tr> </table> <p>CR20F021</p>	*	9	8	7	*	5	4	3	2	1	20	19	18	17	16	15	14	13	12	11
*	*	*	*	*	*	*	4	3	2	1																																																															
*	21	*	19	*	*	*	*	*	*	*																																																															
6	*	4	3	*	*																																																																				
*	*	10	9	8	*																																																																				
8	7	6	5	4	3	2	1																																																																		
16	15	14	13	*	11	*	*																																																																		
*	9	8	7	*	5	4	3	2	1																																																																
20	19	18	17	16	15	14	13	12	11																																																																
<p><b>M20-4</b></p> <table border="1"> <tr><td>8</td><td>7</td><td>6</td><td>5</td><td>*</td><td>*</td><td>2</td><td>1</td></tr> <tr><td>16</td><td>15</td><td>*</td><td>13</td><td>12</td><td>11</td><td>10</td><td>9</td></tr> </table> <p>CR16F018</p>	8	7	6	5	*	*	2	1	16	15	*	13	12	11	10	9	<p><b>M39</b></p> <table border="1"> <tr><td>6</td><td>5</td><td>4</td><td></td><td></td><td>3</td><td>2</td><td>1</td></tr> <tr><td>14</td><td>13</td><td>*</td><td>*</td><td>*</td><td>9</td><td>8</td><td>7</td></tr> </table> <p>MNK_DL_14F</p>	6	5	4			3	2	1	14	13	*	*	*	9	8	7	<p><b>M68</b></p>  <p>MNK_DL_2F</p>	<p><b>R16</b></p> <table border="1"> <tr><td>4</td><td>3</td><td></td><td></td><td>2</td><td>1</td></tr> <tr><td>10</td><td>*</td><td>*</td><td>7</td><td>6</td><td>5</td></tr> </table> <p>CR10F004</p>	4	3			2	1	10	*	*	7	6	5																										
8	7	6	5	*	*	2	1																																																																		
16	15	*	13	12	11	10	9																																																																		
6	5	4			3	2	1																																																																		
14	13	*	*	*	9	8	7																																																																		
4	3			2	1																																																																				
10	*	*	7	6	5																																																																				



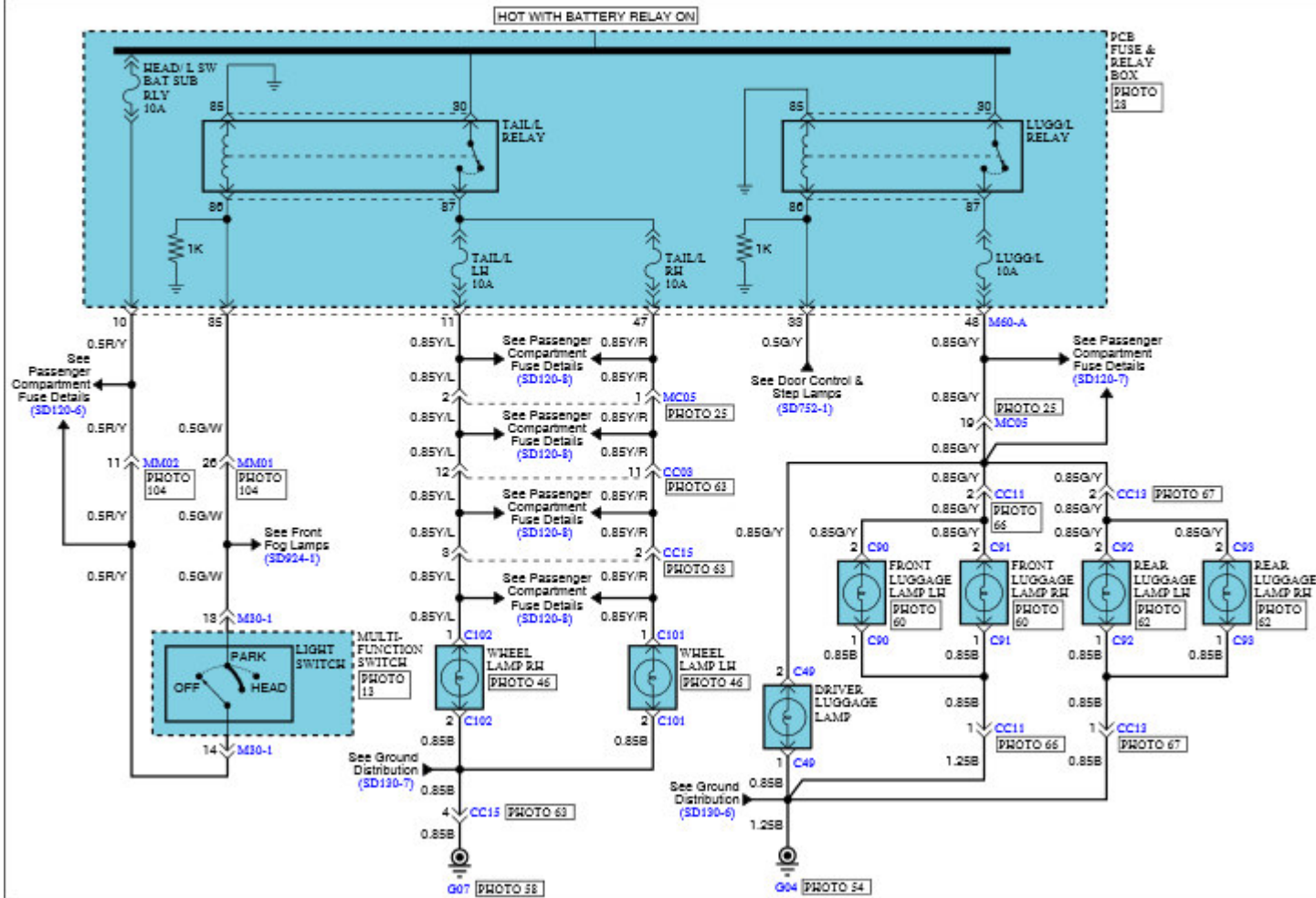
<p style="text-align: center;">C1</p>  <p style="text-align: right; font-size: small;">CR02F029</p>	<p style="text-align: center;">C81</p>  <p style="text-align: right; font-size: small;">SWF_2F</p>	<p style="text-align: center;">C82</p>  <p style="text-align: right; font-size: small;">SWF_2F</p>	<p style="text-align: center;">BLANK</p>																																																																																			
<p style="text-align: center;">C121</p> <table border="1" style="font-size: x-small; border-collapse: collapse;"> <tr> <td>1</td><td>*</td><td>0</td><td>*</td><td>*</td><td>21</td><td>*</td><td>*</td><td>33</td><td>37</td><td>41</td><td>45</td><td>40</td><td>53</td><td>57</td><td>00</td> </tr> <tr> <td>2</td><td>*</td><td>*</td><td>*</td><td>18</td><td>22</td><td>*</td><td>*</td><td>34</td><td>*</td><td>42</td><td>40</td><td>50</td><td>54</td><td>58</td><td>01</td> </tr> <tr> <td>*</td><td>7</td><td>11</td><td>*</td><td>10</td><td>*</td><td>27</td><td>*</td><td>35</td><td>*</td><td>43</td><td>47</td><td>*</td><td>*</td><td>50</td><td>02</td> </tr> <tr> <td>4</td><td>8</td><td>*</td><td>10</td><td>20</td><td>24</td><td>*</td><td>32</td><td>30</td><td>40</td><td>44</td><td>48</td><td>*</td><td>*</td><td></td><td></td> </tr> </table> <p style="text-align: right; font-size: small;">CR02F002</p>	1	*	0	*	*	21	*	*	33	37	41	45	40	53	57	00	2	*	*	*	18	22	*	*	34	*	42	40	50	54	58	01	*	7	11	*	10	*	27	*	35	*	43	47	*	*	50	02	4	8	*	10	20	24	*	32	30	40	44	48	*	*			<p style="text-align: center;">M02</p> <table border="1" style="font-size: x-small; border-collapse: collapse;"> <tr> <td>2</td><td></td><td></td><td>*</td> </tr> <tr> <td>6</td><td>5</td><td>4</td><td>*</td> </tr> </table> <p style="text-align: right; font-size: small;">MNC_DL_2F</p>	2			*	6	5	4	*	<p style="text-align: center;">M29-1</p> <table border="1" style="font-size: x-small; border-collapse: collapse;"> <tr> <td>6</td><td>*</td><td>4</td><td>3</td><td>*</td><td>*</td> </tr> <tr> <td>*</td><td>*</td><td>10</td><td>9</td><td>8</td><td>*</td> </tr> </table> <p style="text-align: right; font-size: small;">CR12F031</p>	6	*	4	3	*	*	*	*	10	9	8	*
1	*	0	*	*	21	*	*	33	37	41	45	40	53	57	00																																																																							
2	*	*	*	18	22	*	*	34	*	42	40	50	54	58	01																																																																							
*	7	11	*	10	*	27	*	35	*	43	47	*	*	50	02																																																																							
4	8	*	10	20	24	*	32	30	40	44	48	*	*																																																																									
2			*																																																																																			
6	5	4	*																																																																																			
6	*	4	3	*	*																																																																																	
*	*	10	9	8	*																																																																																	
<p style="text-align: center;">M29-3</p> <table border="1" style="font-size: x-small; border-collapse: collapse;"> <tr> <td>*</td><td>9</td><td>8</td><td>7</td><td>*</td><td>5</td><td>4</td><td>3</td><td>2</td><td>1</td> </tr> <tr> <td>20</td><td>19</td><td>18</td><td>17</td><td>16</td><td>15</td><td>14</td><td>13</td><td>12</td><td>11</td> </tr> </table> <p style="text-align: right; font-size: small;">CR02F021</p>	*	9	8	7	*	5	4	3	2	1	20	19	18	17	16	15	14	13	12	11	<p style="text-align: center;">M29-4</p> <table border="1" style="font-size: x-small; border-collapse: collapse;"> <tr> <td>8</td><td>7</td><td>6</td><td>5</td><td>*</td><td>*</td><td>2</td><td>1</td> </tr> <tr> <td>16</td><td>15</td><td>*</td><td>13</td><td>12</td><td>11</td><td>10</td><td>9</td> </tr> </table> <p style="text-align: right; font-size: small;">CR18F019</p>	8	7	6	5	*	*	2	1	16	15	*	13	12	11	10	9	<p style="text-align: center;">M66</p> <table border="1" style="font-size: x-small; border-collapse: collapse;"> <tr> <td></td><td>*</td><td></td> </tr> <tr> <td>4</td><td>3</td><td>2</td> </tr> <tr> <td></td><td>1</td><td></td> </tr> </table> <p style="text-align: right; font-size: small;">CR05F022</p>		*		4	3	2		1		<p style="text-align: center;">M67</p> <table border="1" style="font-size: x-small; border-collapse: collapse;"> <tr> <td></td><td>5</td><td></td> </tr> <tr> <td>4</td><td>*</td><td>2</td> </tr> <tr> <td></td><td>1</td><td></td> </tr> </table> <p style="text-align: right; font-size: small;">CR05F022</p>		5		4	*	2		1																														
*	9	8	7	*	5	4	3	2	1																																																																													
20	19	18	17	16	15	14	13	12	11																																																																													
8	7	6	5	*	*	2	1																																																																															
16	15	*	13	12	11	10	9																																																																															
	*																																																																																					
4	3	2																																																																																				
	1																																																																																					
	5																																																																																					
4	*	2																																																																																				
	1																																																																																					
<p style="text-align: center;">M69</p> <table border="1" style="font-size: x-small; border-collapse: collapse;"> <tr> <td>2</td><td>1</td> </tr> </table> <p style="text-align: right; font-size: small;">MNC_DL_2F</p>	2	1	<p style="text-align: center;">BLANK</p>	<p style="text-align: center;">BLANK</p>	<p style="text-align: center;">BLANK</p>																																																																																	
2	1																																																																																					





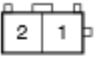
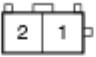
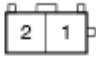
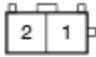
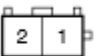



<p style="text-align: center;"><b>C62</b></p>  <p style="text-align: right; font-size: small;">CR03F230</p>	<p style="text-align: center;"><b>C69</b></p>  <p style="text-align: right; font-size: small;">CR03F230</p>	<p style="text-align: center;"><b>C116</b></p>  <p style="text-align: right; font-size: small;">CR03F230</p>	<p style="text-align: center;"><b>C117</b></p>  <p style="text-align: right; font-size: small;">CR03F230</p>
<p style="text-align: center;"><b>M09-1</b></p>  <p style="text-align: right; font-size: small;">CR02F020</p>	<p style="text-align: center;"><b>M09-2</b></p>  <p style="text-align: right; font-size: small;">CR16F052</p>	<p style="text-align: center;"><b>M09-3</b></p>  <p style="text-align: right; font-size: small;">CR02F016</p>	
<p style="text-align: center;"><b>M23</b></p>  <p style="text-align: right; font-size: small;">PA_3F</p>	<p style="text-align: center;"><b>M29-1</b></p>  <p style="text-align: right; font-size: small;">CR16F019</p>	<p style="text-align: center;"><b>M29-3</b></p>  <p style="text-align: right; font-size: small;">CR20F021</p>	<p style="text-align: center;"><b>M29-4</b></p>  <p style="text-align: right; font-size: small;">CR16F019</p>





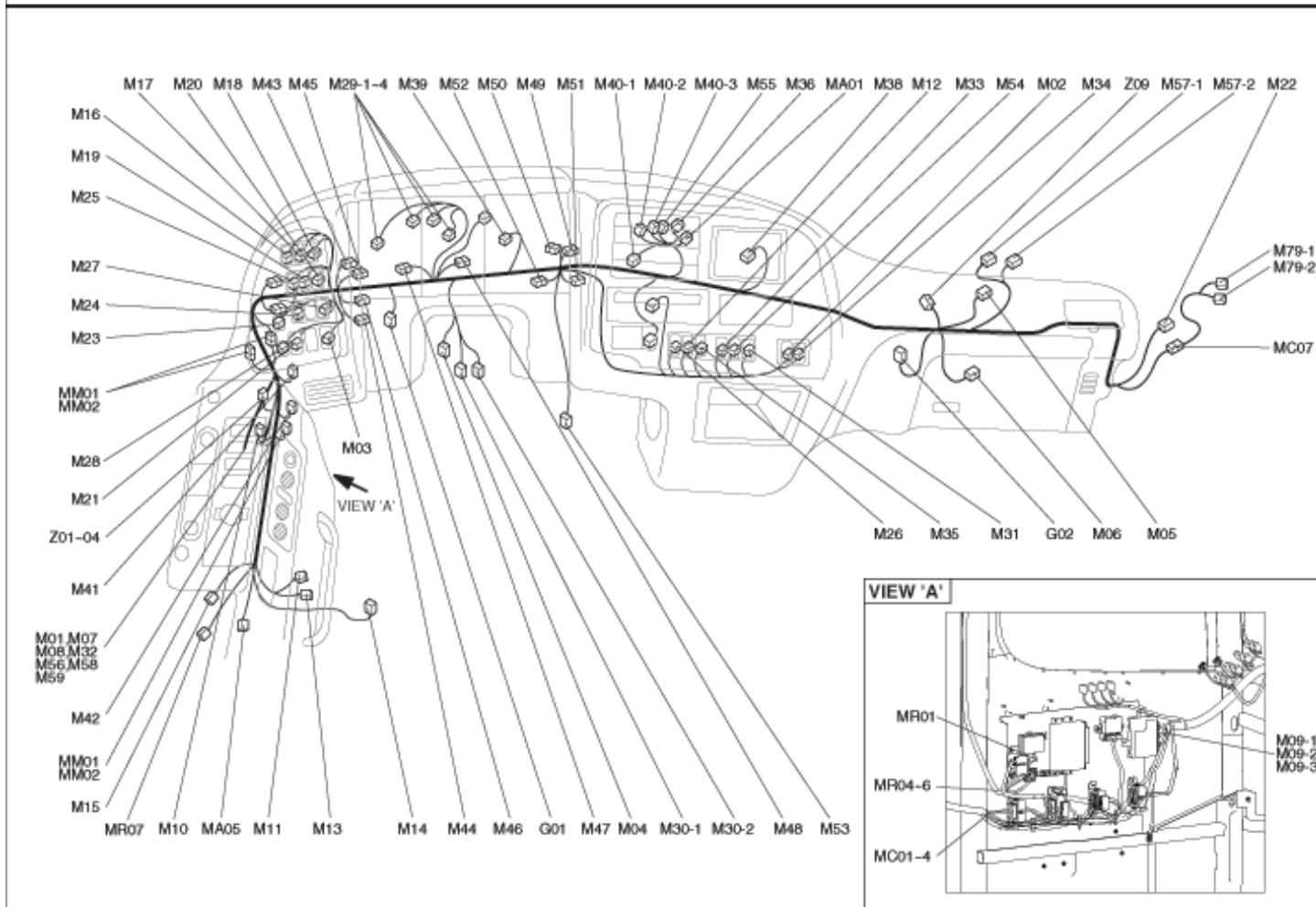
Luggage Room & Wheel Lamps (2)

SD929-12

<p>C49</p>  <p>MNK_RD_2F</p>	<p>C90</p>  <p>MNK_RD_2F</p>	<p>C91</p>  <p>MNK_RD_2F</p>	<p>C92</p>  <p>MNK_RD_2F</p>
<p>C93</p>  <p>MNK_RD_2F</p>	<p>C101</p>  <p>NDWP_2F</p>	<p>C102</p>  <p>NDWP_2F</p>	<p>MG0-1</p>  <p>MNK-DL-14F</p>

Main Harness (1)

HL-1



## Main Harness (2)

HL-2

## MAIN HARNESS

M01	Luggage Door Switch	M35	Gangway Molding Lamp Switch
M02	Kneeling Switch	M36	Antenna
M03	Front Fog Lamp Switch	M38	Back View Monitor
M04	Ignition Switch	M39	Speedometer
M05	Wiper Motor	M40-1	Audio
M06	Washer Motor	M40-2	Audio(W/O IC Route Guide)
M07	Cruise Switch	M40-3	Audio(With IC Route Guide)
M08	Idle Adjust Switch	M41	Joint Connector
M09-1	ETACM	M42	Joint Connector
M09-2	ETACM	M43	Joint Connector
M09-3	ETACM	M44	Joint Connector
M10	Power Window Motor	M45	Joint Connector
M11	Seat Belt Switch	M46	Joint Connector
M12	Step Lamp Switch	M47	Joint Connector
M13	Seat Warmer	M48	Joint Connector
M14	Driver Speaker	M49	Joint Connector
M15	Driver Earphone	M50	Joint Connector
M16	Room Lamp Switch #1	M51	Joint Connector
M17	Room Lamp Switch #2	M52	Joint Connector
M18	Room Lamp Switch #3	M53	Accel Pedal Sensor
M19	Driver Lamp Switch	M54	Center TV Switch
M20	Reading Lamp Switch	M55	IC Route Guide Module
M21	Seat Warmer Switch	M56	IC Route Guide Switch
M22	Door Key Switch	M57-1	Start Time Indicator
M23	Battery Switch	M57-2	Start Time Indicator
M24	Outside Mirror Defogger Switch	M58	Brake Select Switch
M25	LED Room Lamp Switch	M59	Power Window Switch
M26	Front Door Switch	MA01	Connection With Defroster Harness
M27	Roof Molding Lamp Switch	MA05	Connection With ABS Harness
M28	Outside Mirror Switch	MC01	Connection With Chassis No.1 Harness
M29-1	Instrument Cluster	MC02	Connection With Chassis No.1 Harness
M29-2	Instrument Cluster	MC03	Connection With Chassis No.1 Harness
M29-3	Instrument Cluster	MC04	Connection With Chassis No.1 Harness
M29-4	Instrument Cluster	MM01	Connection With PCB Harness
M30-1	Multifunction Switch	MM02	Connection With PCB Harness
M30-2	Multifunction Switch	MR01	Connection With HVAC Harness
M31	Front TV Switch	MR04	Connection With Front Roof Harness
M32	ASR Off Switch	MR05	Connection With Front Roof Harness
M33	Refrigerator Switch	MR06	Connection With Front Roof Harness
M34	Aisle LED Step Lamp Switch	MR07	Connection With Earphone Harness

G01	Ground
G02	Ground
Z01	Diode #1
Z02	Diode #2
Z03	Diode #3
Z04	Diode #4
Z09	Diode #9

## SWING DOOR HARNESS

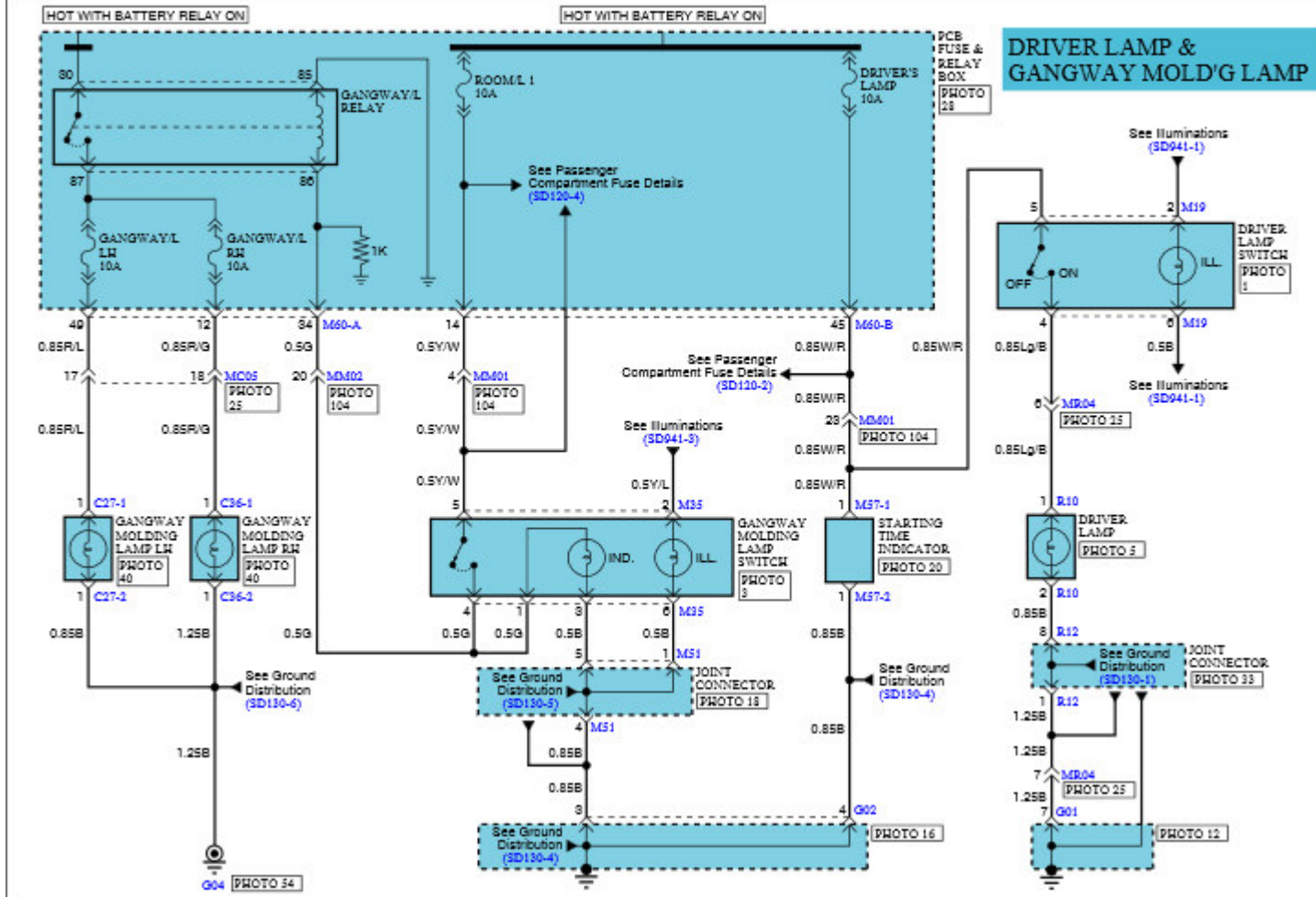
M79-1	Main Door Glass Defogger
M79-2	Main Door Glass Defogger
MC07	Connection With Chassis No.1 Harness

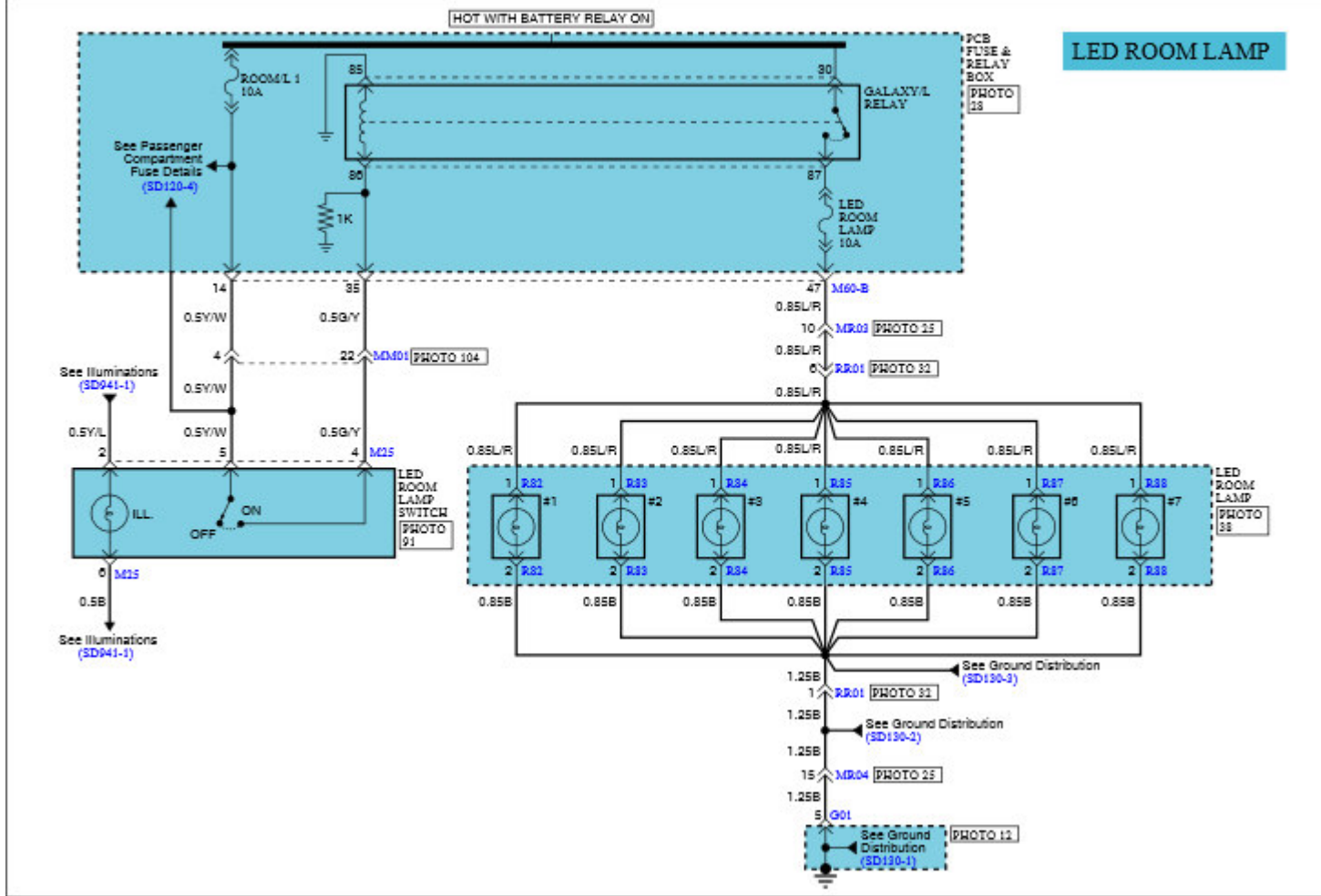
## ROOF HARNESS

R01	Electro chromic mirror
R04	Map lamp
R06	Room lamp
R07	Sunroof control module
R08	Vanity lamp RH
R09	Sunroof switch
R12	Vanity lamp LH
JR01	Joint connector
MR11	Connection with MAIN Harness

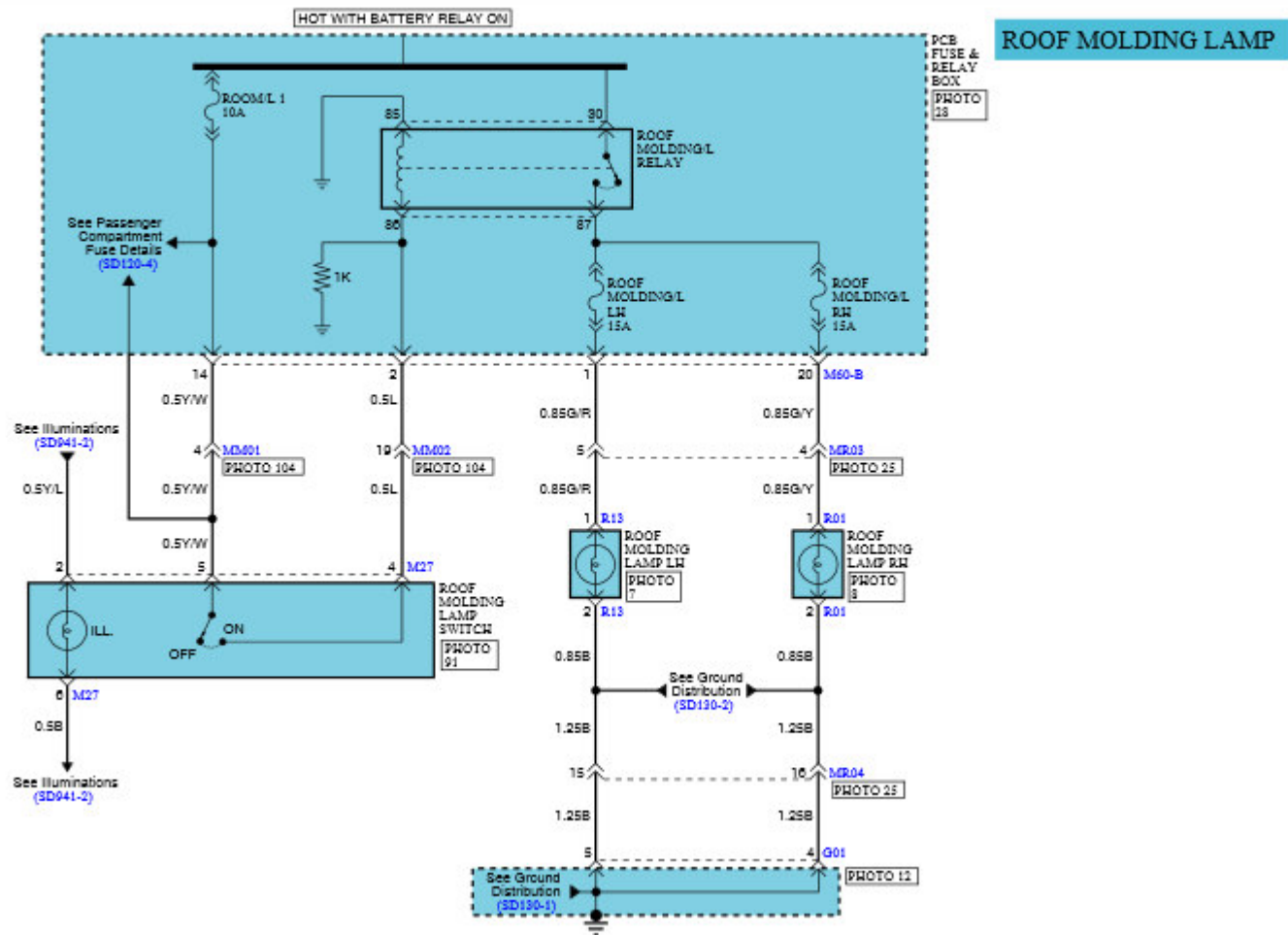
## REAR HTD(-) HARNESS





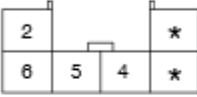
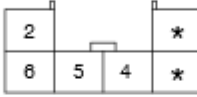
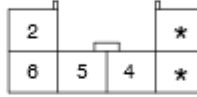



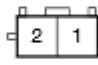
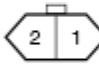
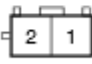
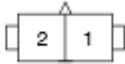
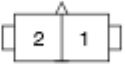
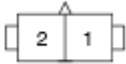
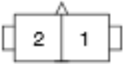
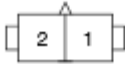
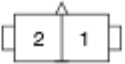
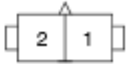
R29	Rear defogger(-)
GR21	Ground



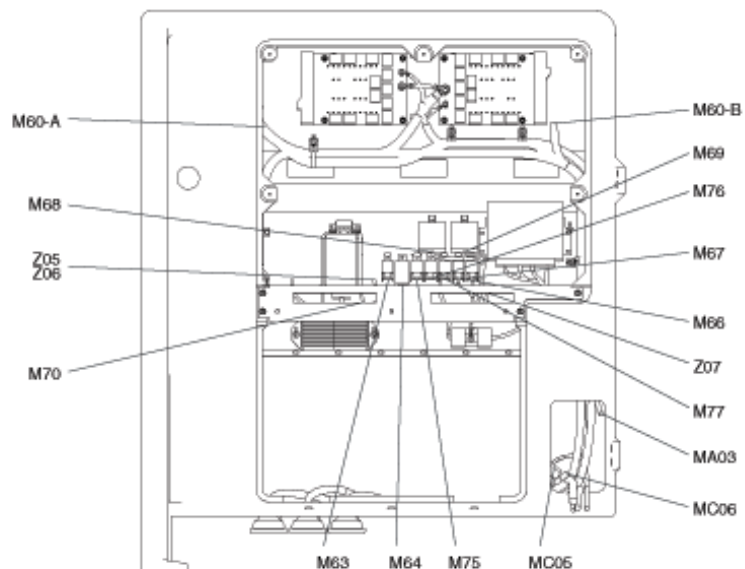






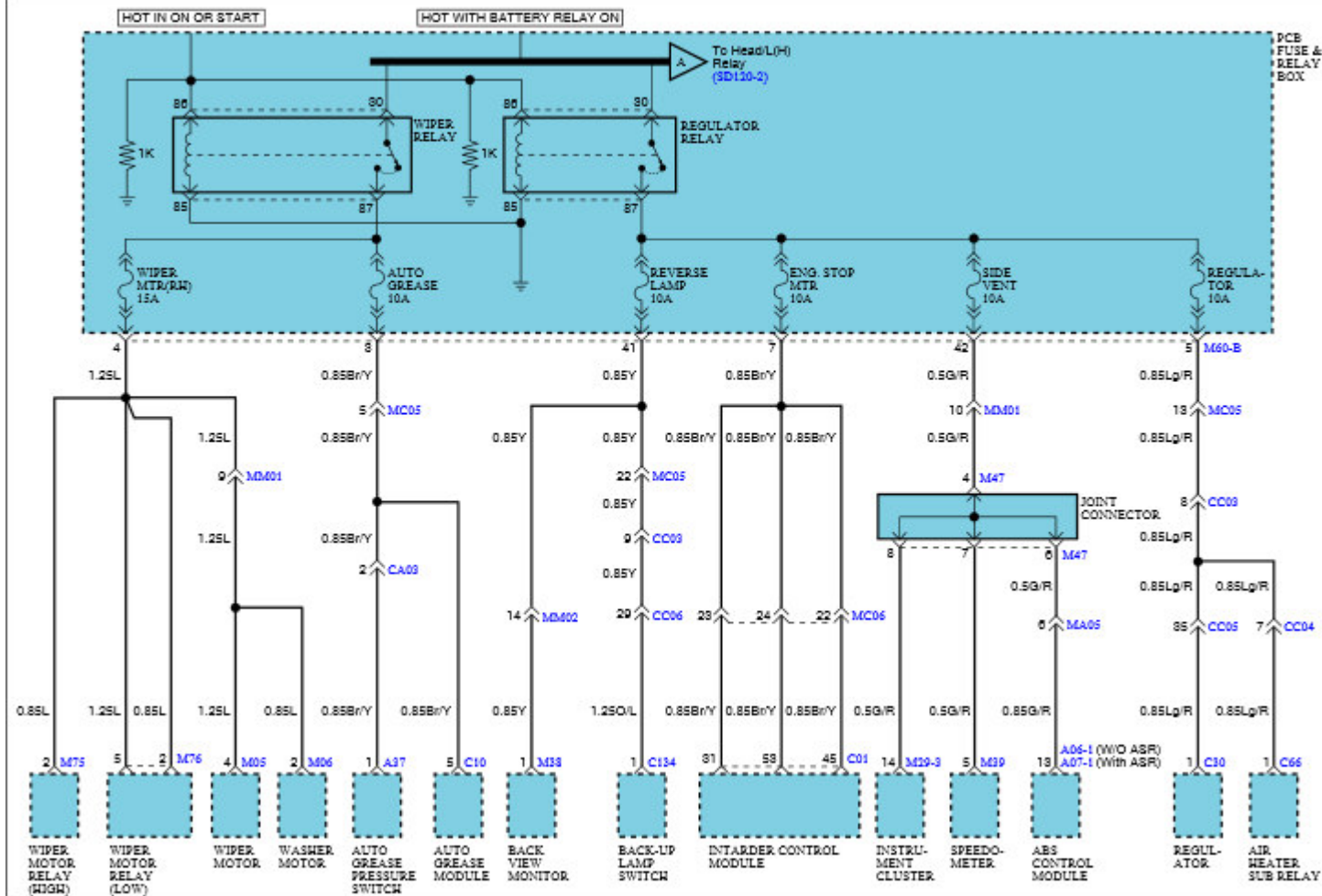
<p>C27-1</p>  <p>SWP_1F</p>	<p>C27-1</p>  <p>SWP_1F</p>	<p>C36-1</p>  <p>SWP_1F</p>	<p>C36-1</p>  <p>SWP_1F</p>
<p>M19</p>  <p>MNK_DL_6F</p>	<p>M25</p>  <p>MNK_DL_6F</p>	<p>M27</p>  <p>MNK_DL_6F</p>	<p>M35</p>  <p>MNK_DL_6F</p>
<p>M57-1</p>  <p>CR01F034</p>	<p>M57-2</p>  <p>CR01F034</p>	<p>R01</p>  <p>MNK_LD_2F</p>	<p>R10</p>  <p>SWP_2F</p>
<p>R13</p>  <p>MNK_LD_2F</p>	<p>R32</p>  <p>MN_SL_2F</p>	<p>R33</p>  <p>MN_SL_2F</p>	<p>R34</p>  <p>MN_SL_2F</p>
<p>R35</p>  <p>MN_SL_2F</p>	<p>R36</p>  <p>MN_SL_2F</p>	<p>R37</p>  <p>MN_SL_2F</p>	<p>R38</p>  <p>MN_SL_2F</p>





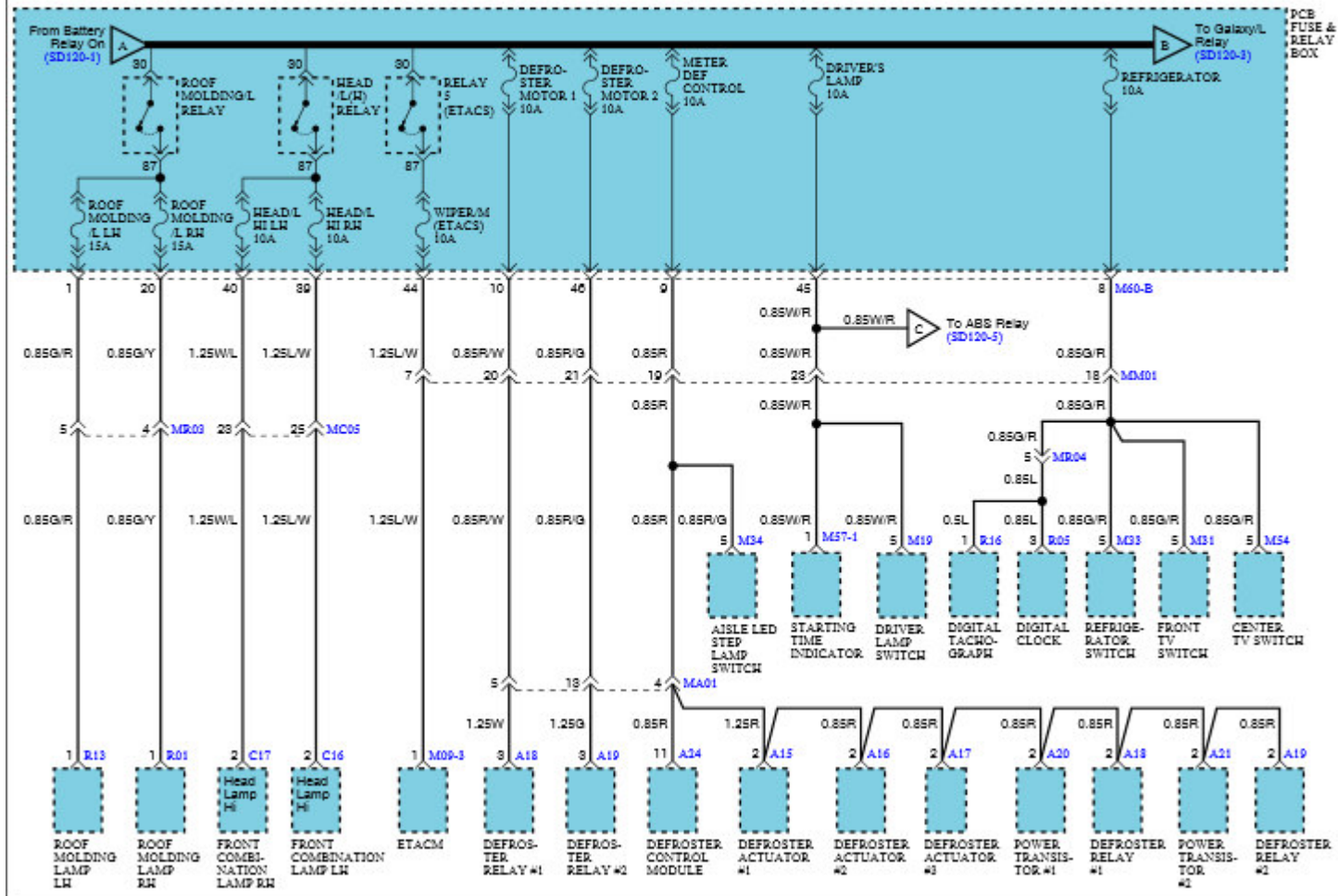
**PCB HARNESS**

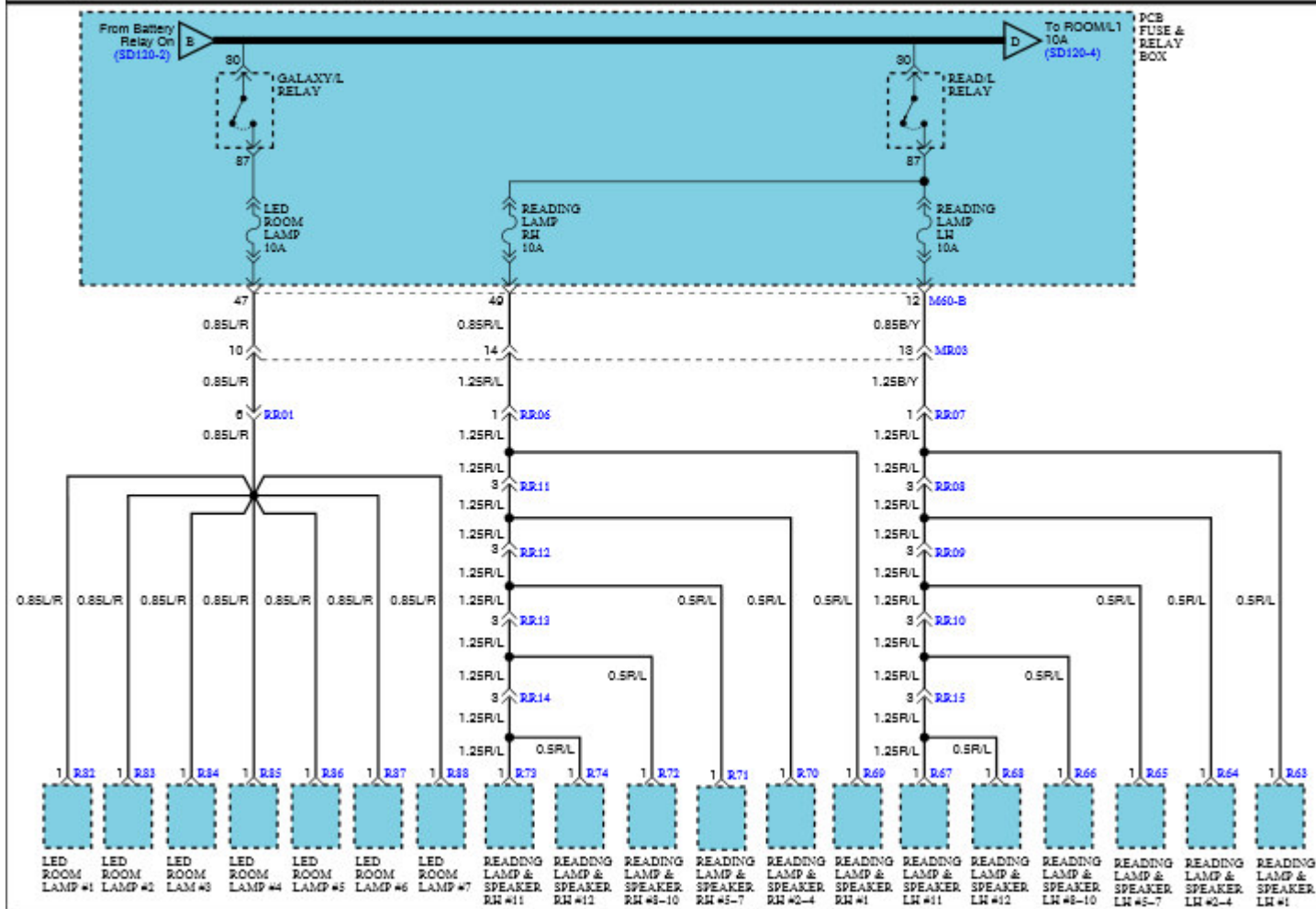
- M60-A PCB Fuse & Relay Box
- M60-B PCB Fuse & Relay Box
- M63 Battery Sub Relay
- M64 Flasher Unit
- M65 Outside Mirror Defogger Relay
- M66 Kneeling Buzzer Relay
- M67 Kneeling Relay
- M68 Parking Buzzer
- M69 Kneeling Buzzer
- M70 Converter
- M71 Driver Window Defogger
- M73 Power Outlet(12V)
- M75 Wiper Motor Relay(High)
- M76 Wiper Motor Relay(Low)
- M77 Intarder Relay
- M78 Joint Connector
- MC05 Connection With Chassis No.1 Harness
- MC06 Connection With Chassis No.1 Harness
- MM01 Connection With Main Harness
- MM02 Connection With Main Harness
- MA03 Connection With ABS Harness
- MR02 Connection With HVAC Harness
- MR03 Connection With Roof Harness
- MR08 Connection With Roof Harness
- Z05 Diode
- Z06 Diode
- Z07 Diode

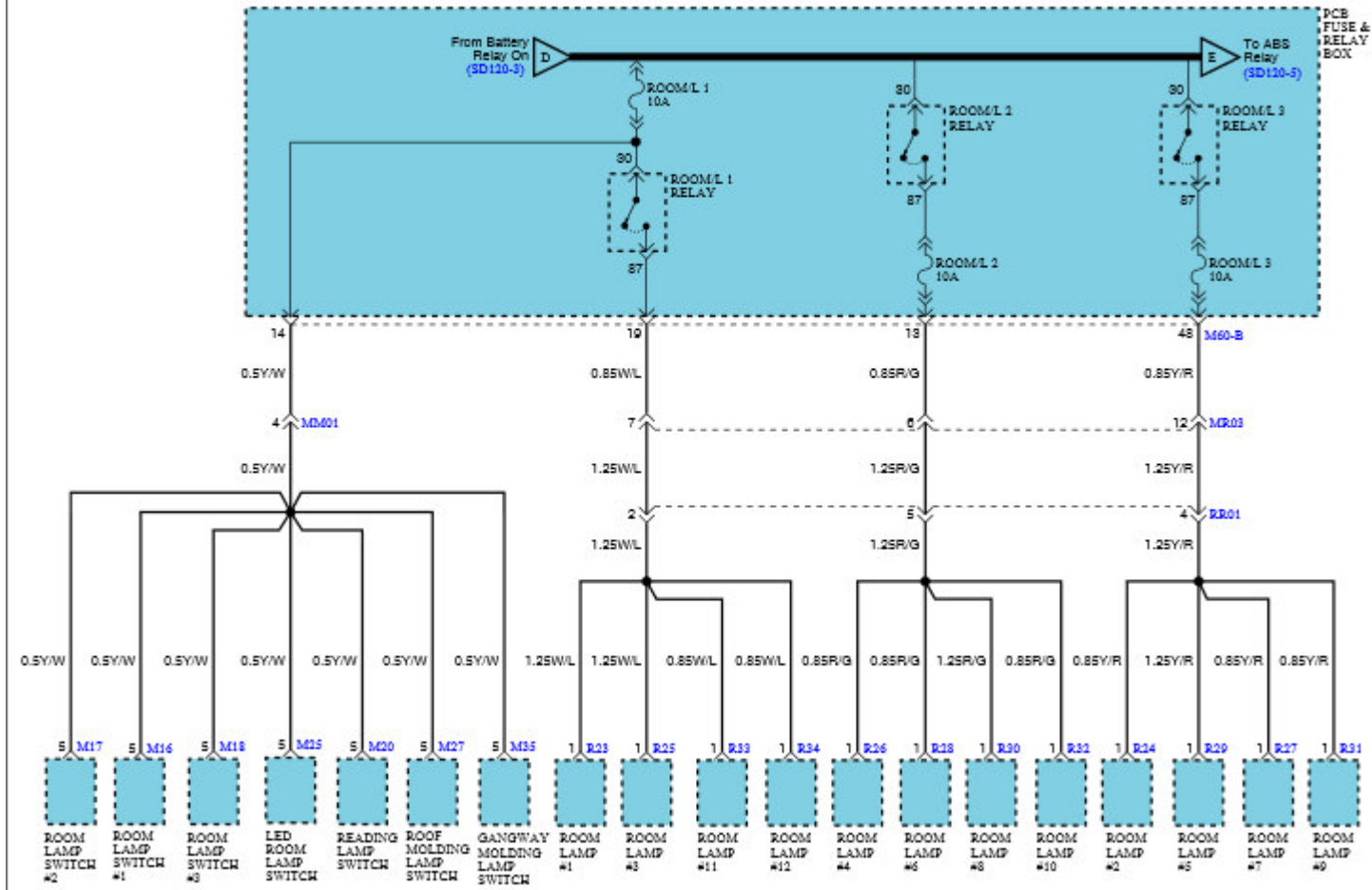


Passenger Compartment Fuse Details (2)

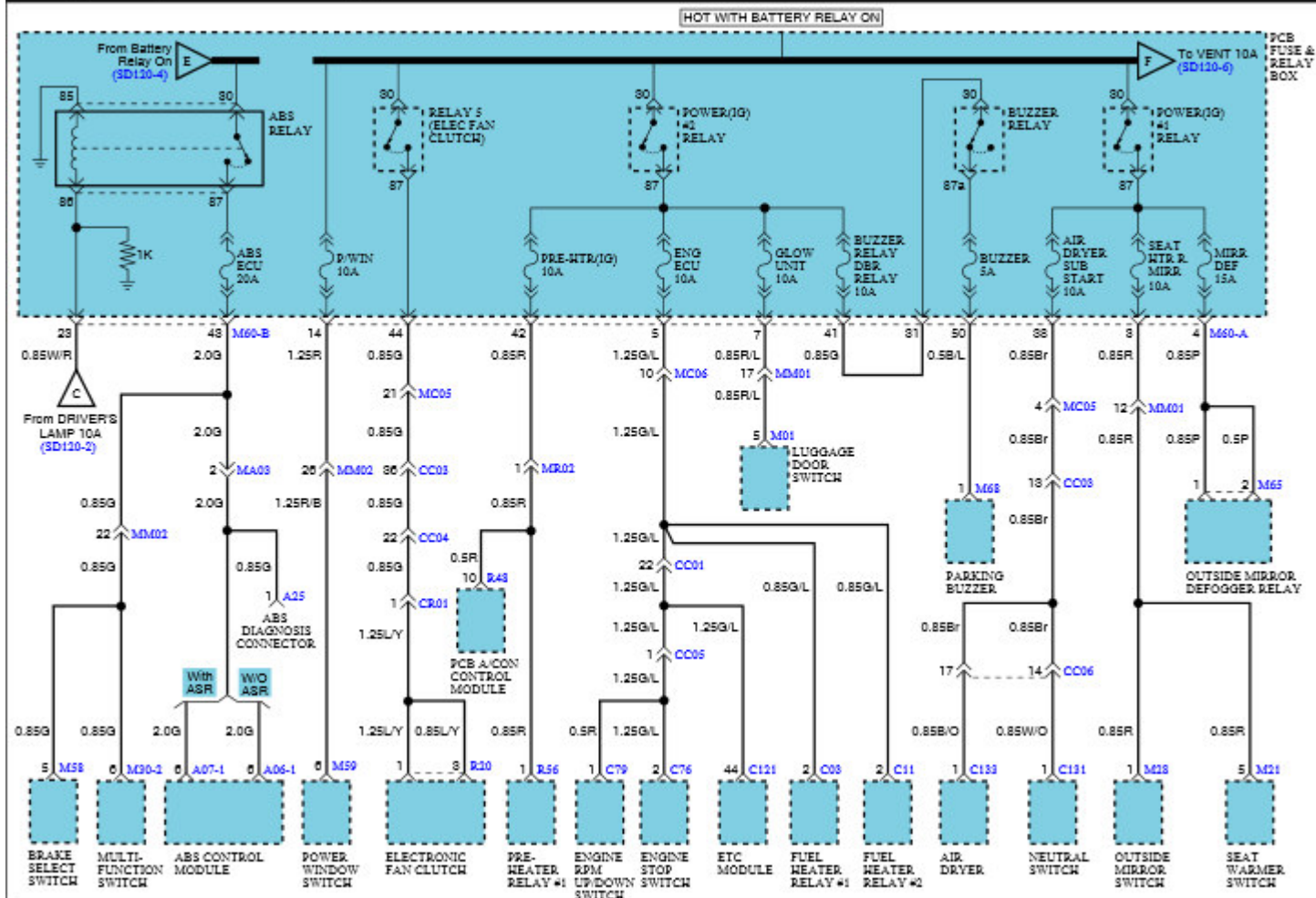
SD120-2

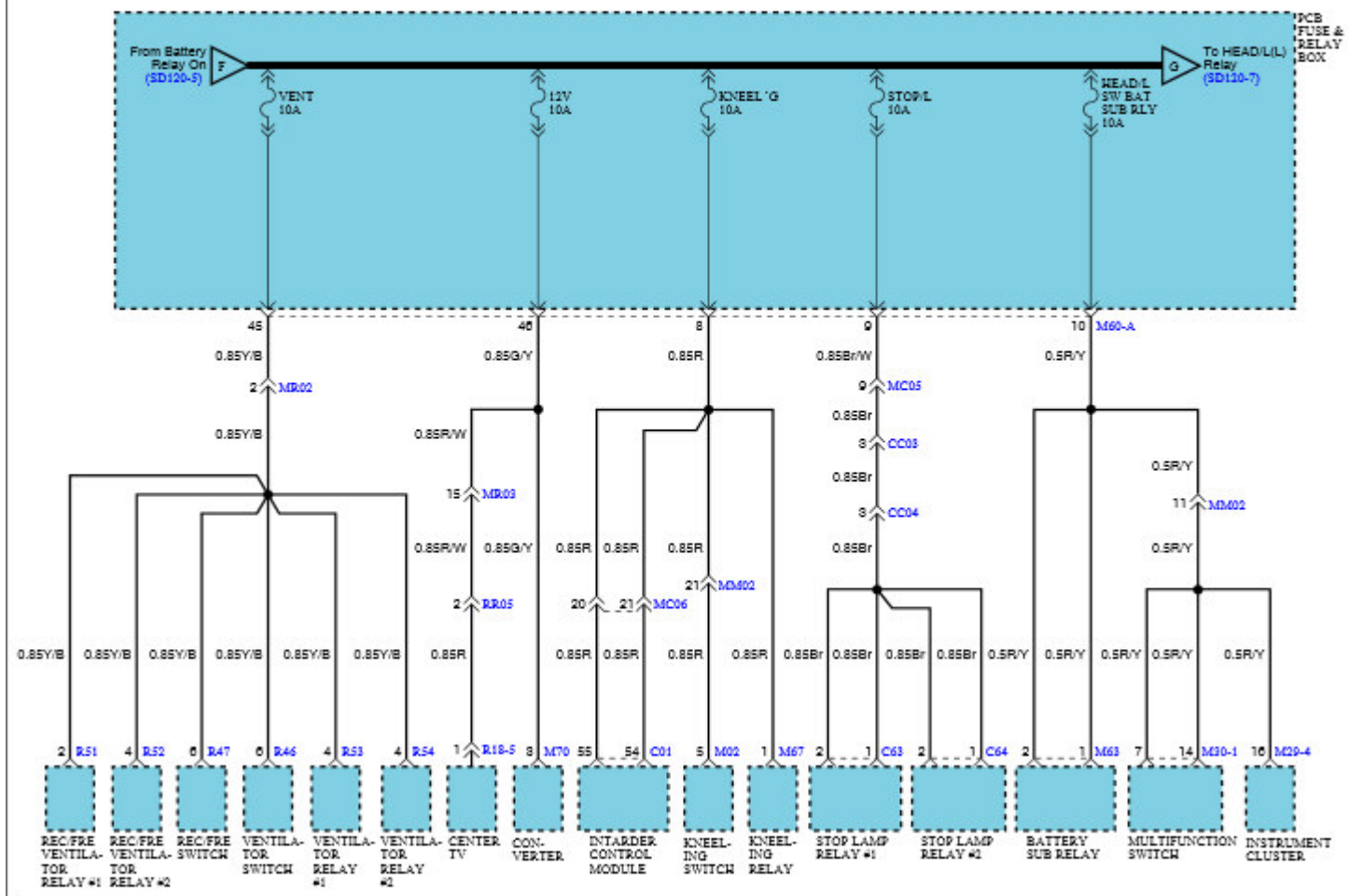


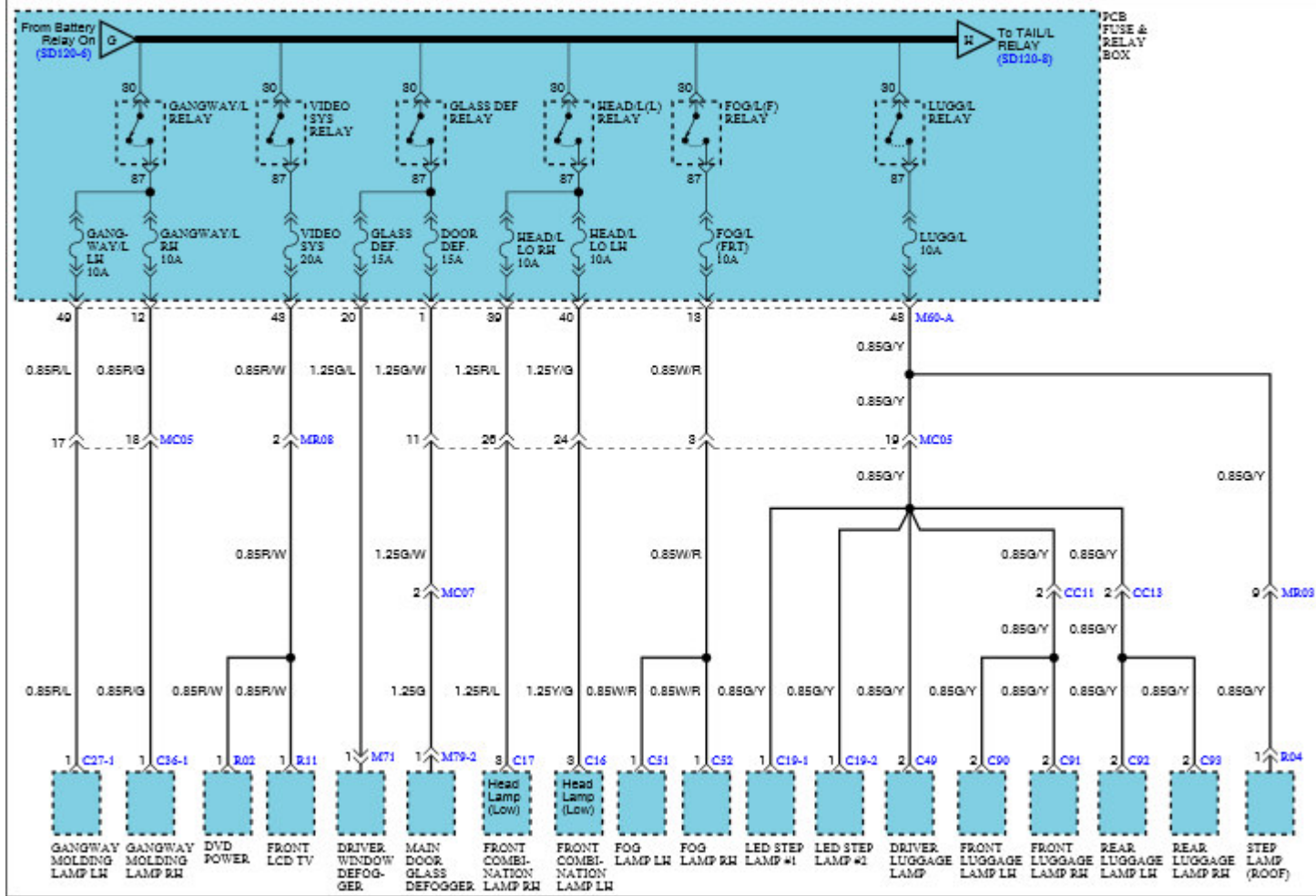




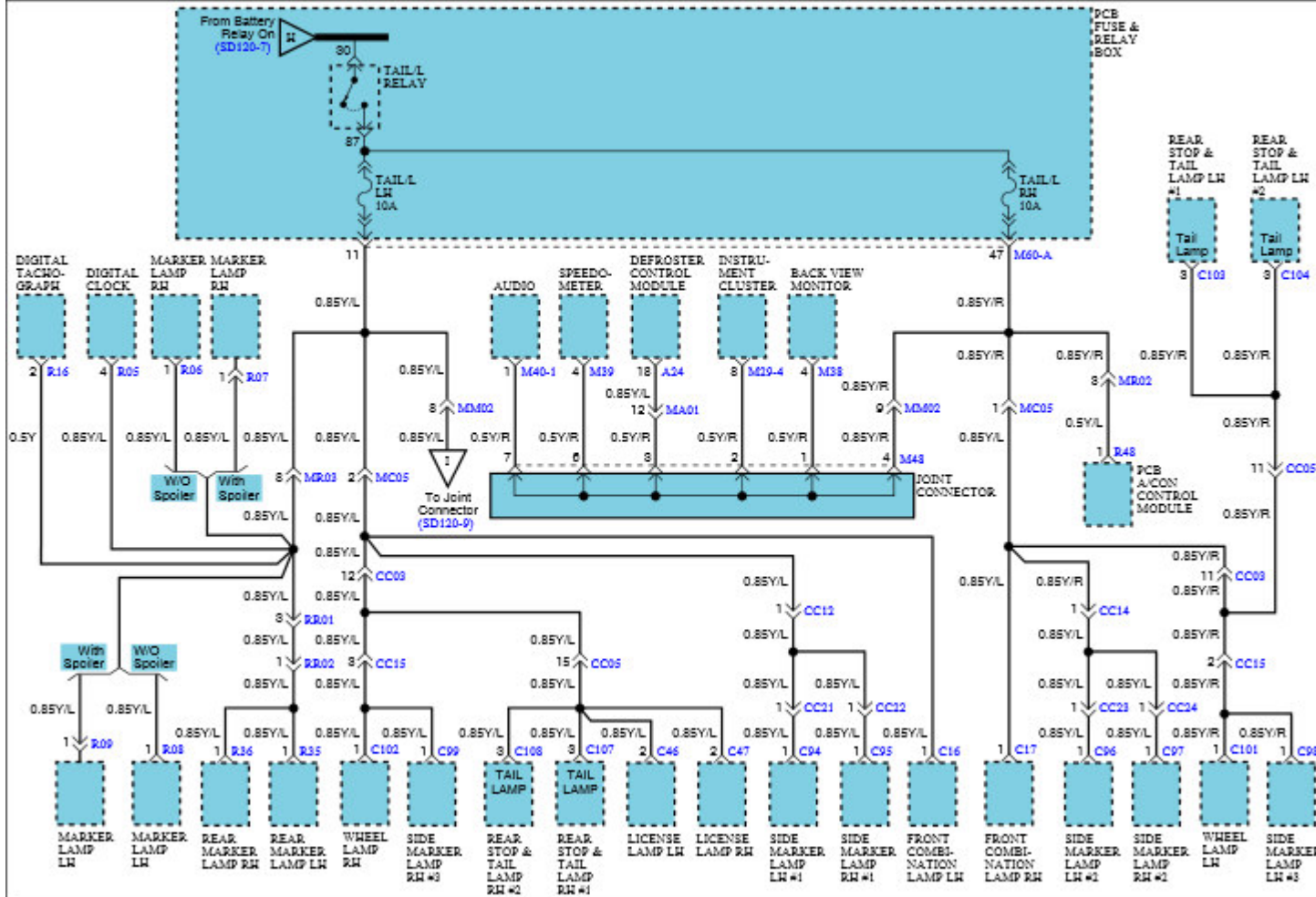


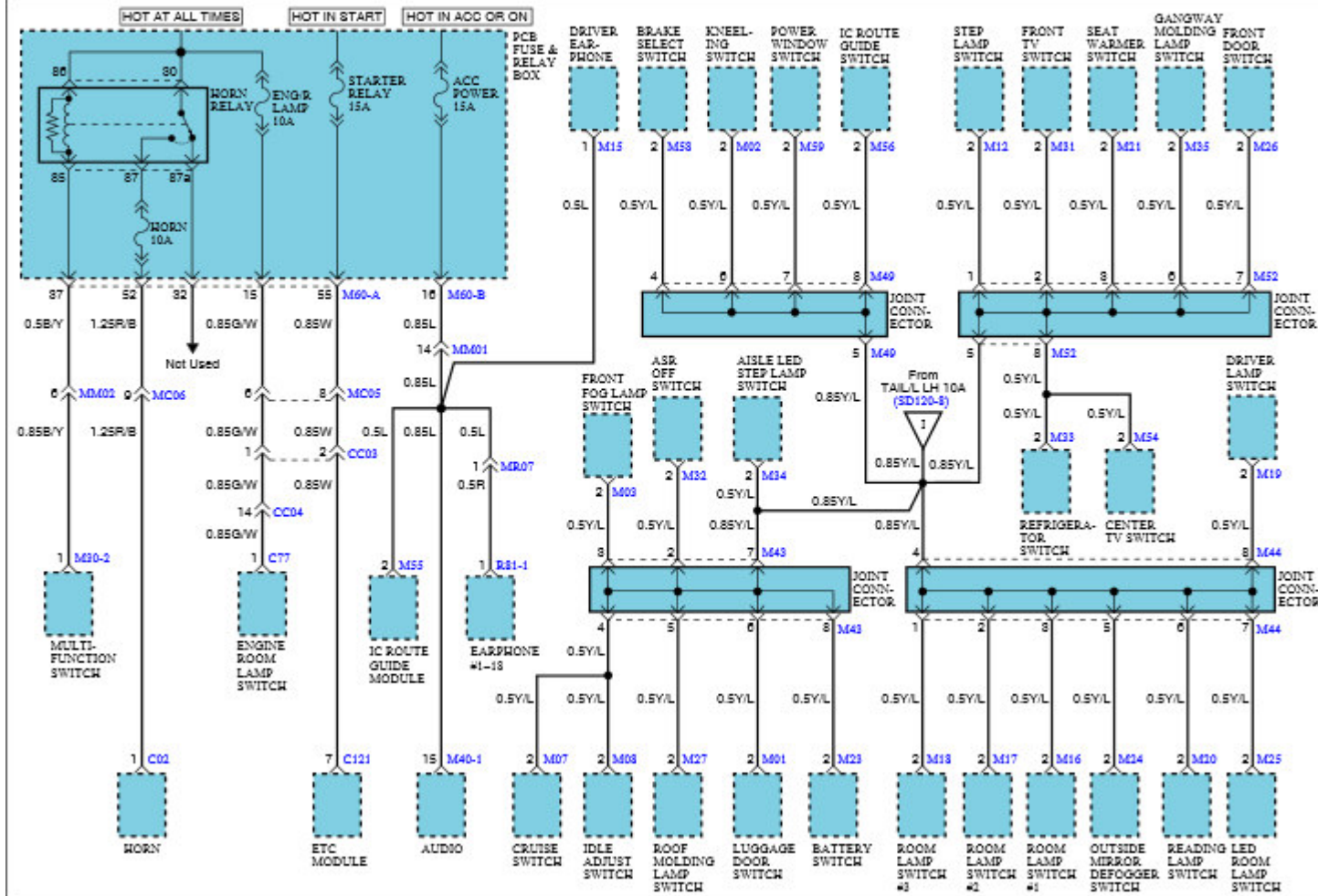


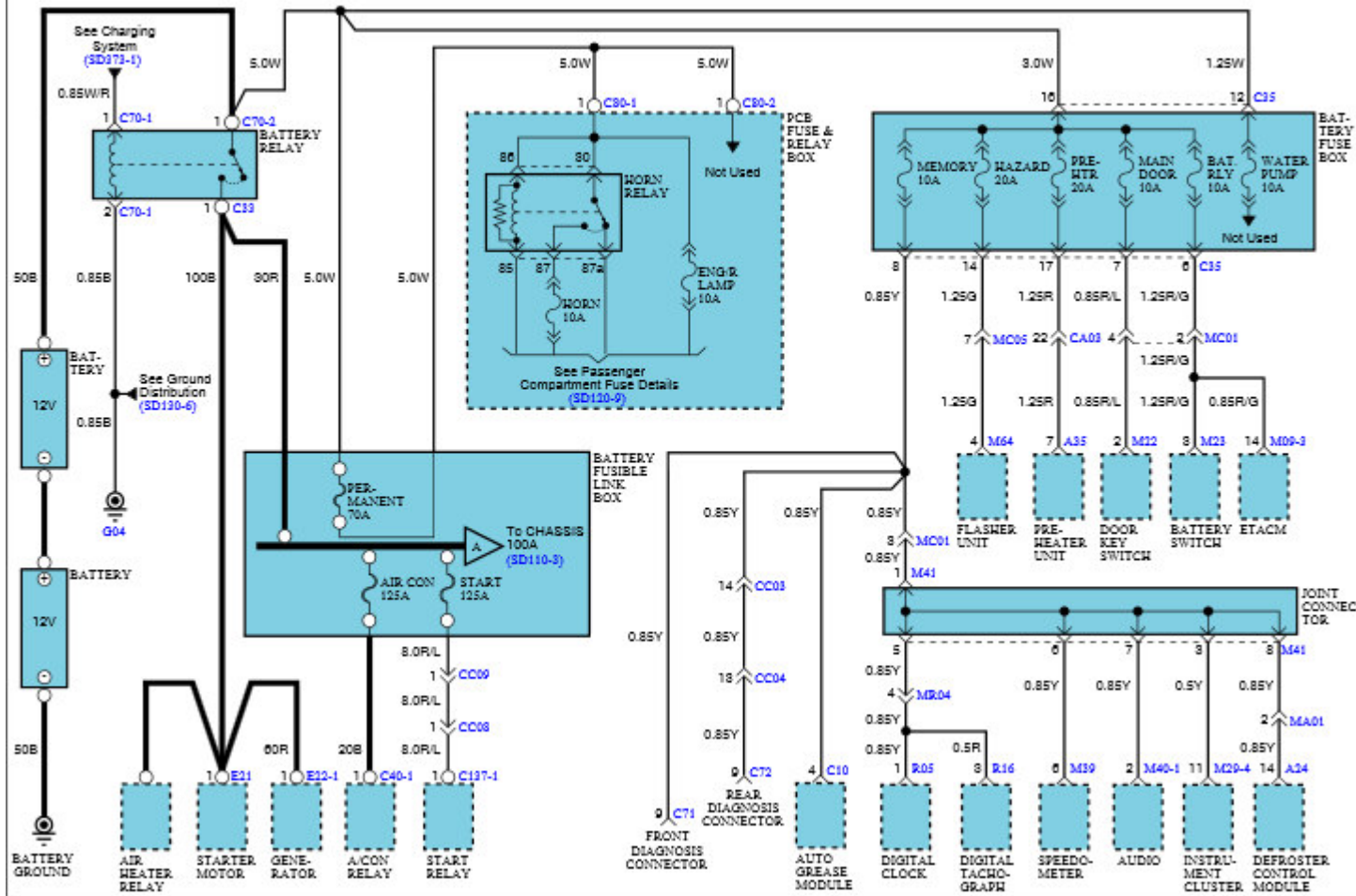


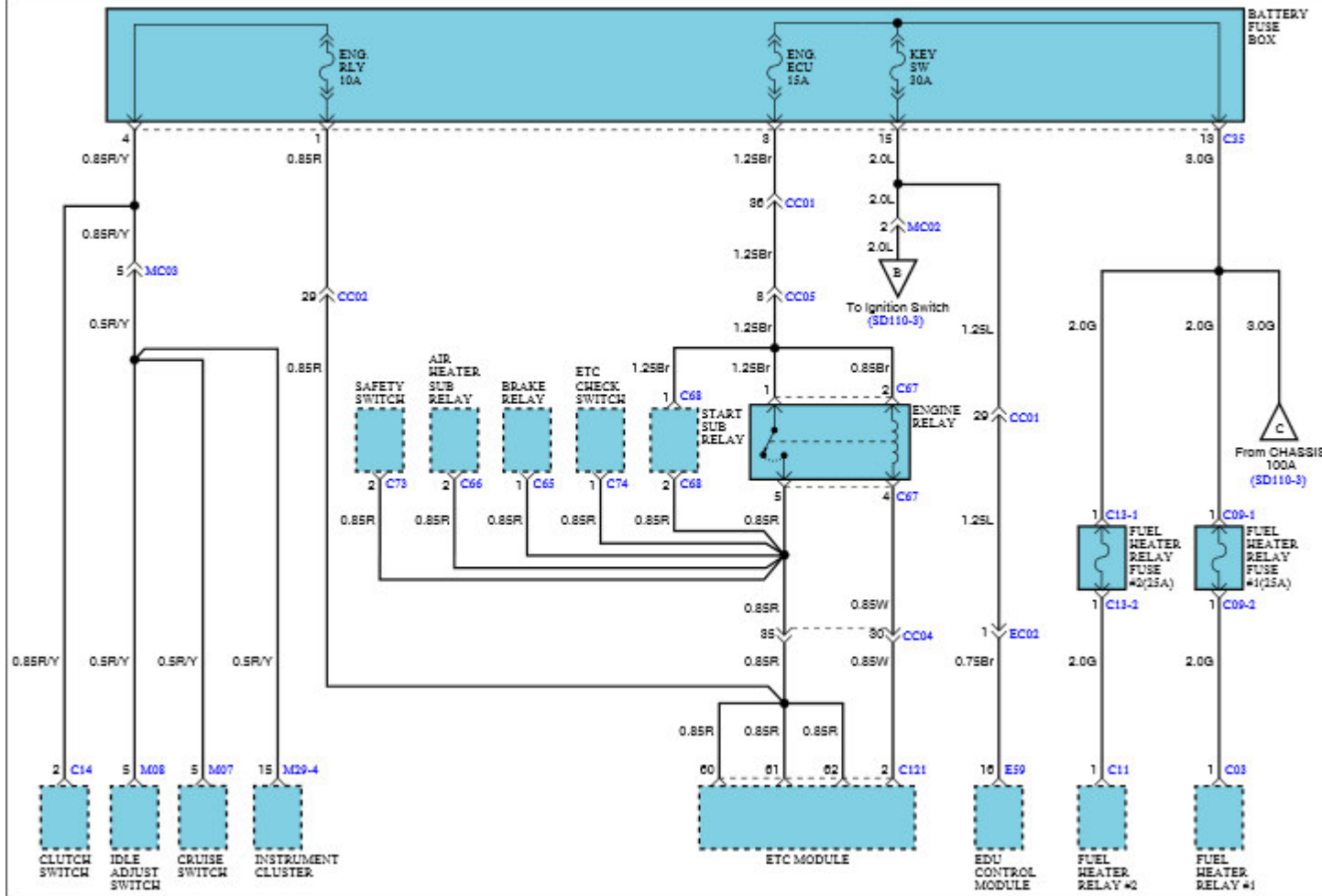




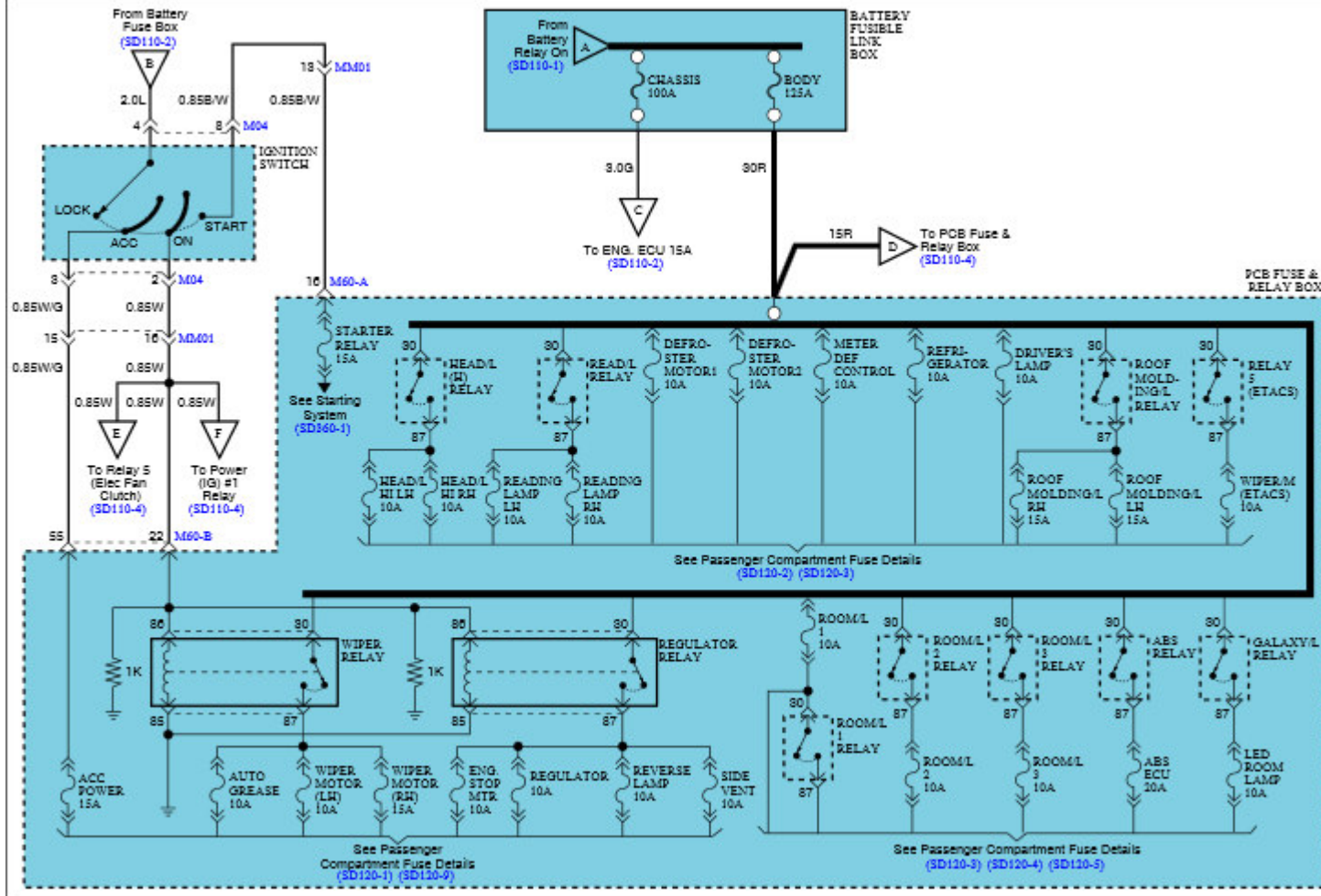


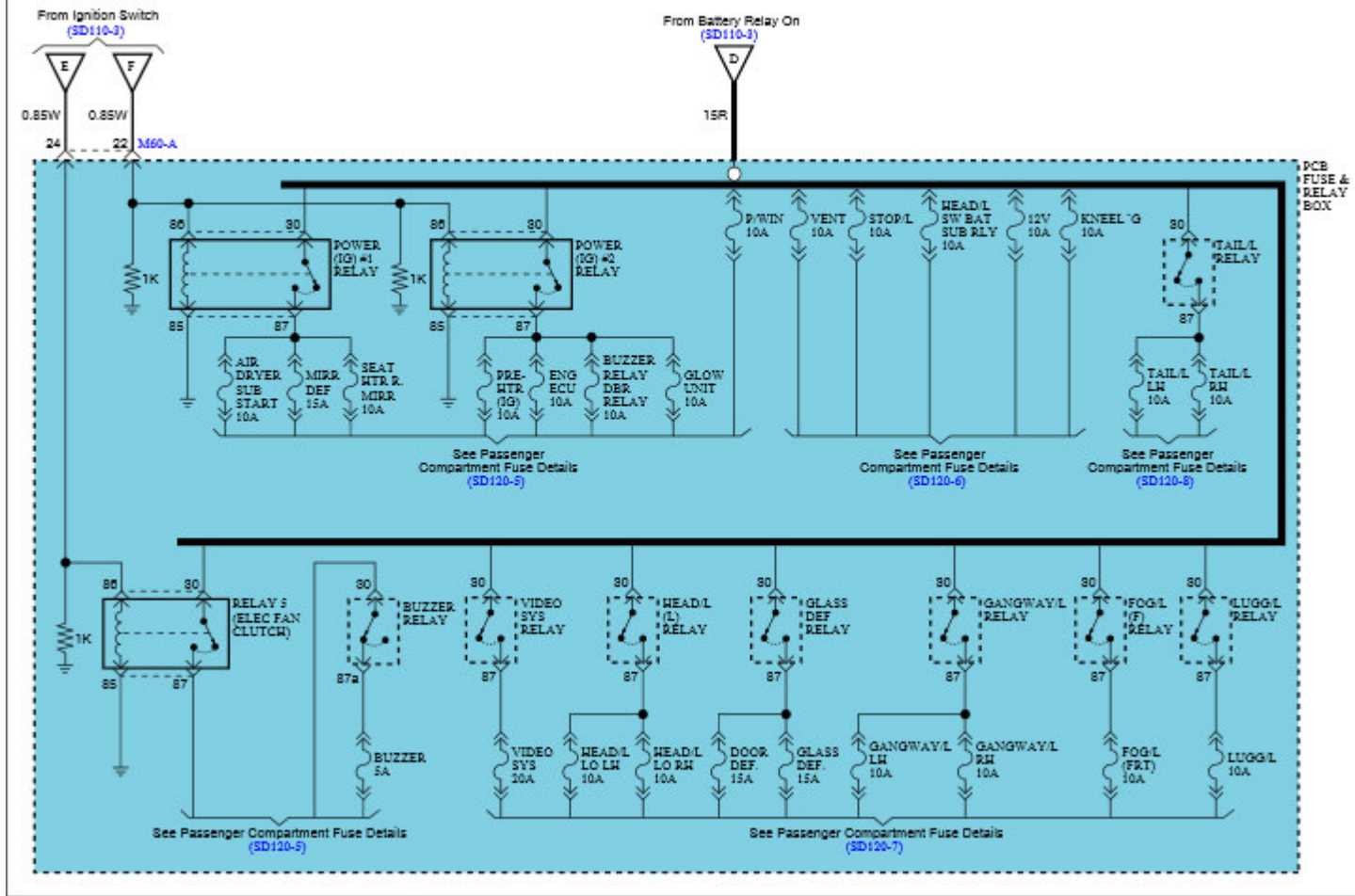


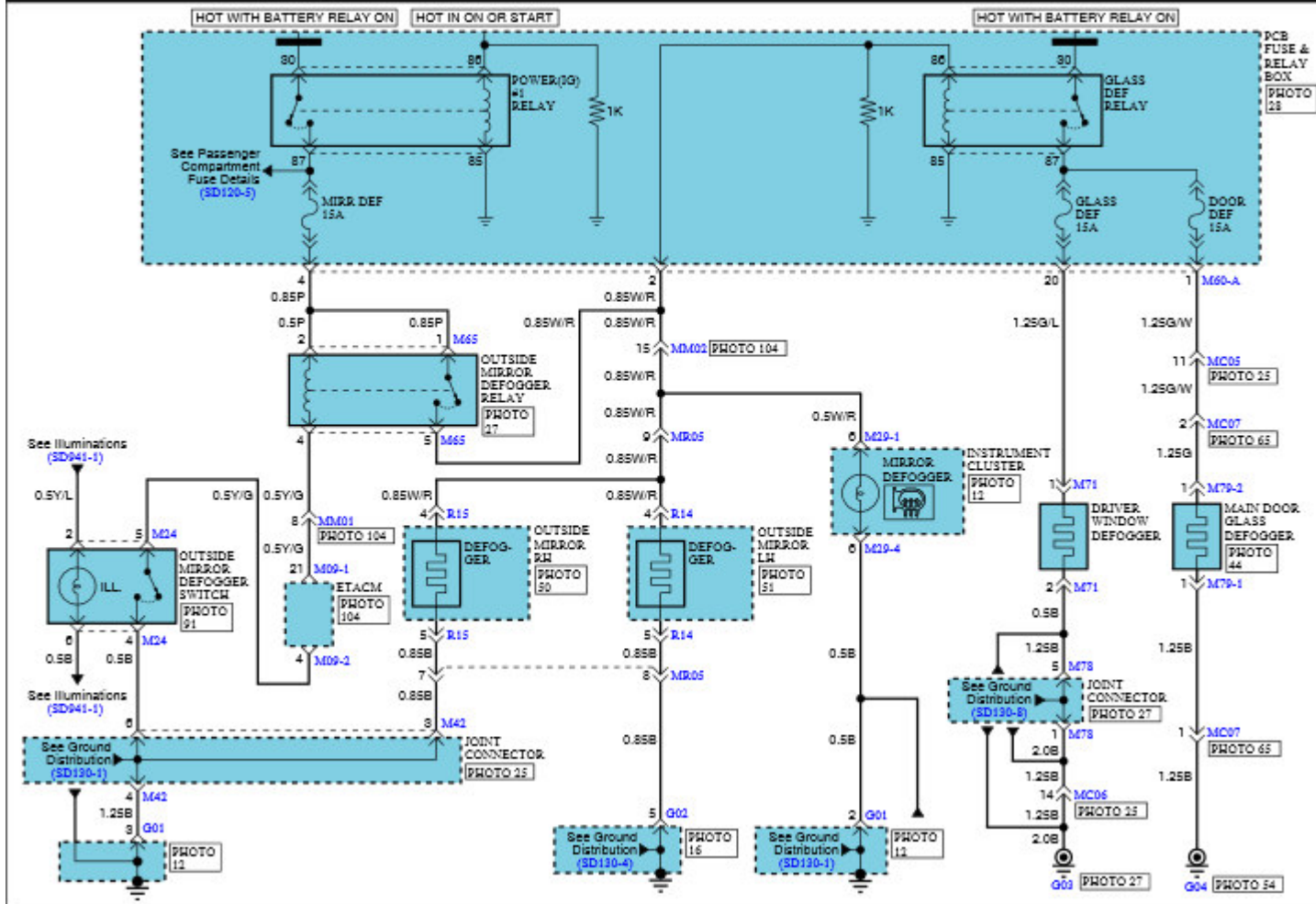






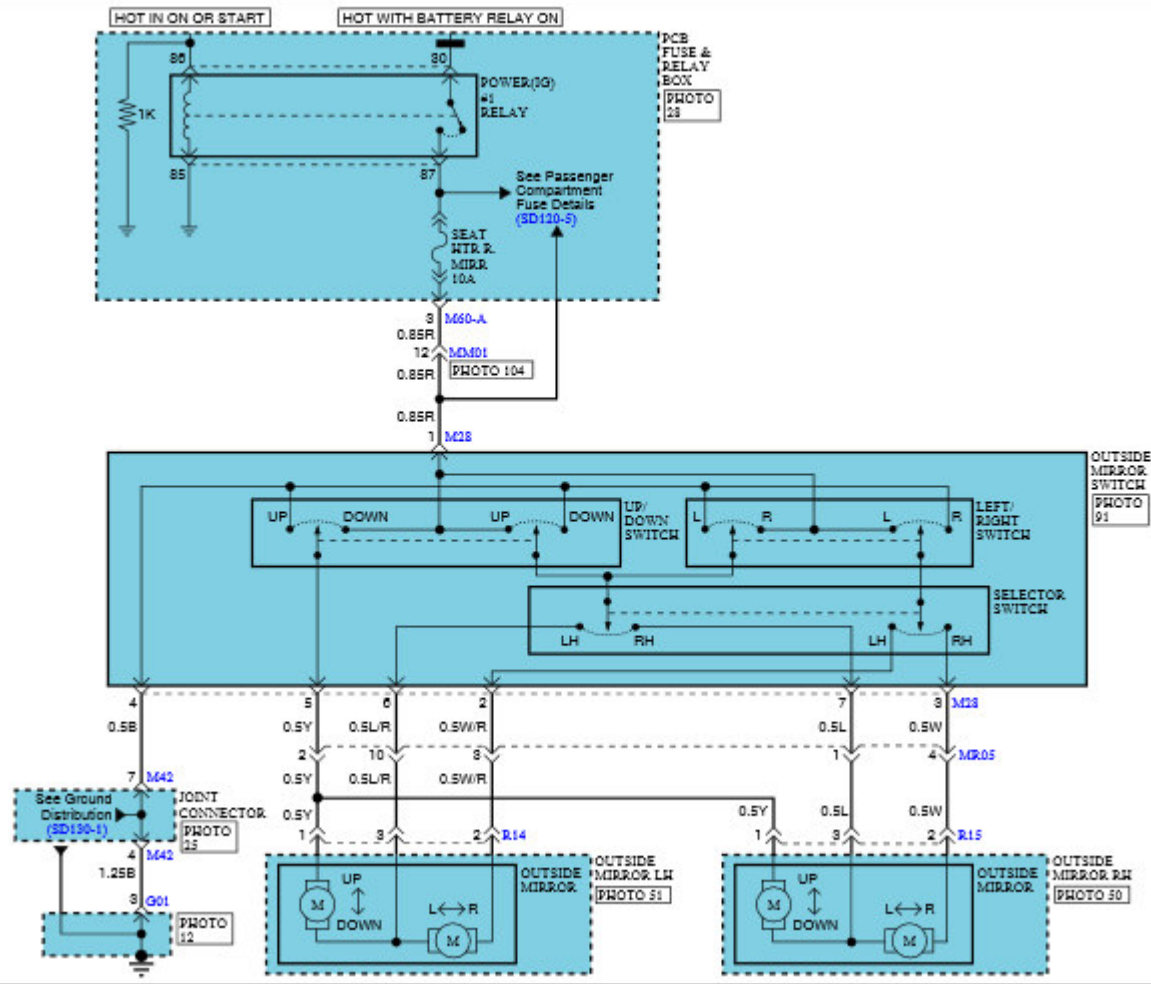






<p>M09-1</p> <p>CR22F000</p>	<p>M09-2</p> <p>CR18F002</p>	<p>M24</p> <p>MNK_DL_0F</p>	<p>M29-1</p> <p>CR12F031</p>
<p>M29-4</p> <p>CR18F019</p>	<p>M65</p> <p>CR05F002</p>	<p>M71</p> <p>MNK_SL_2M</p>	<p>M79-1</p> <p>CR01F034</p>
<p>M79-2</p> <p>CR01F034</p>	<p>R14</p> <p>CR05F048</p>	<p>R15</p> <p>CR05F048</p>	<p>BLANK</p>





M28



MIC\_7F

R14



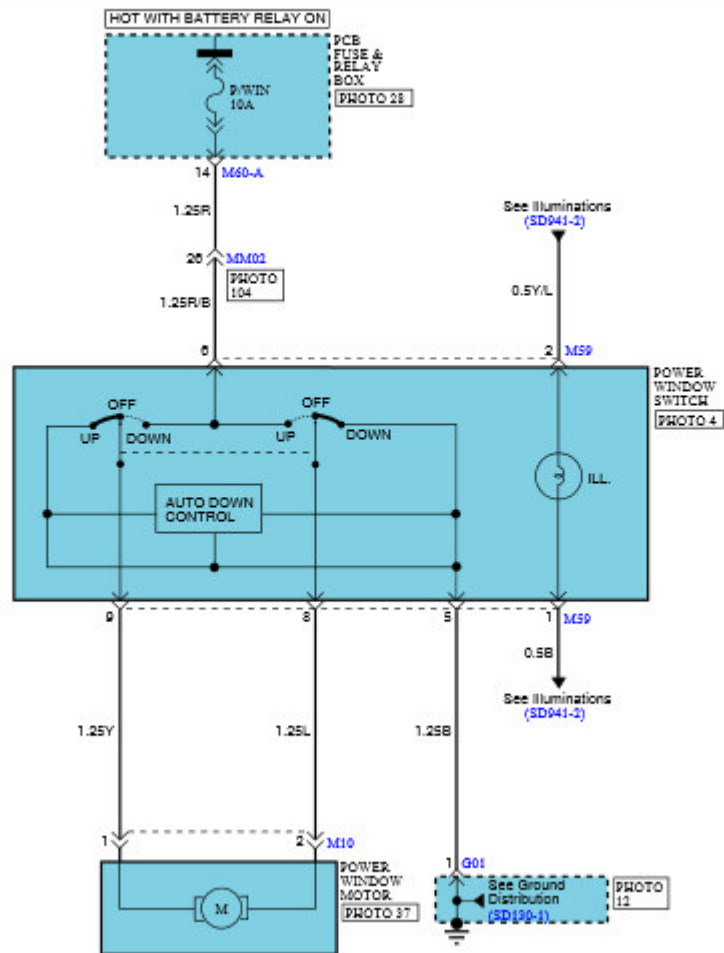
CROSSFD48

R15

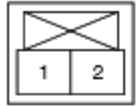


CROSSFD48

BLANK

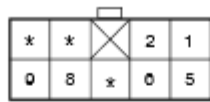


M10



MSA\_DL\_2M

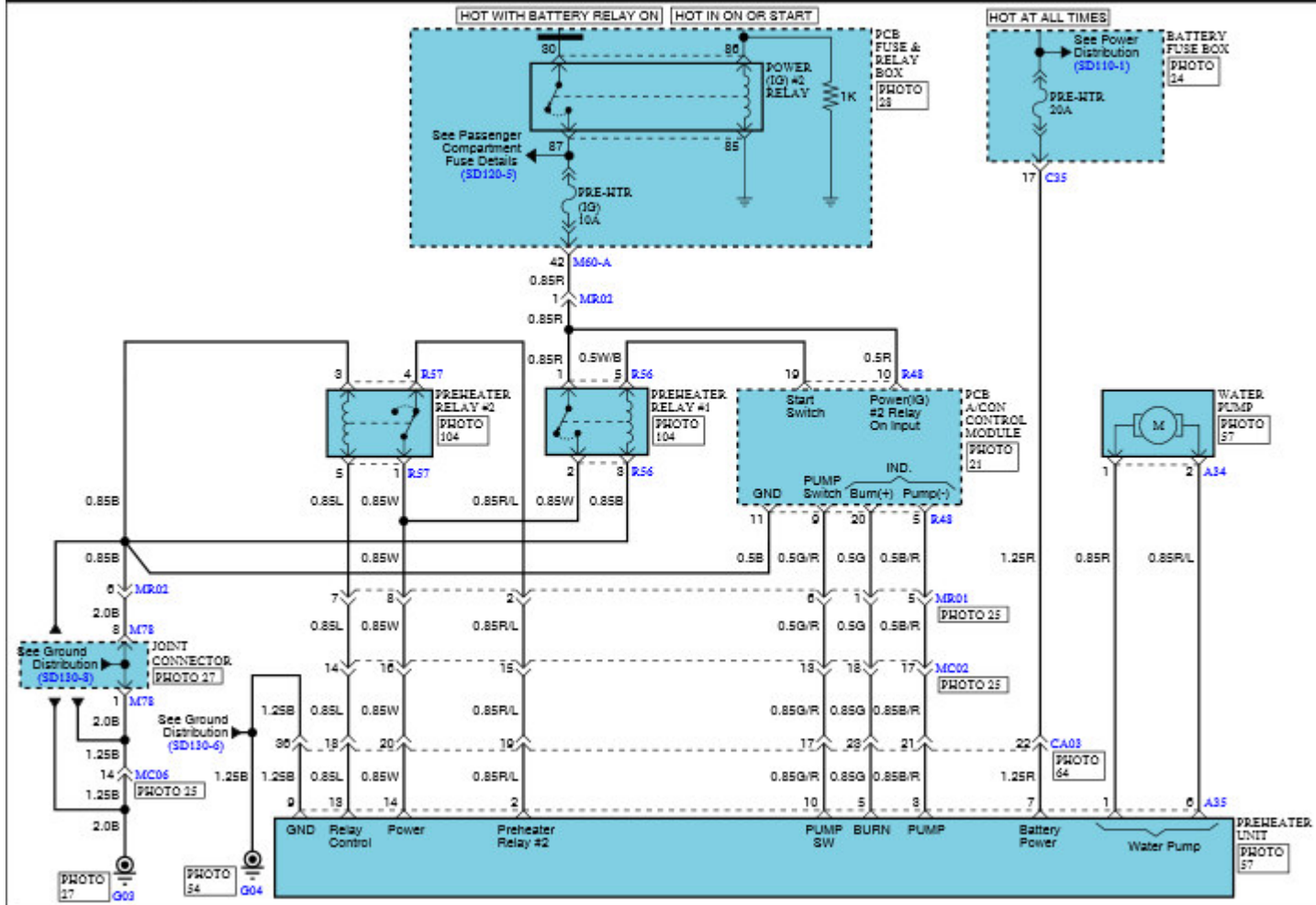
M99



CR09F001





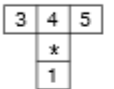
BLANK

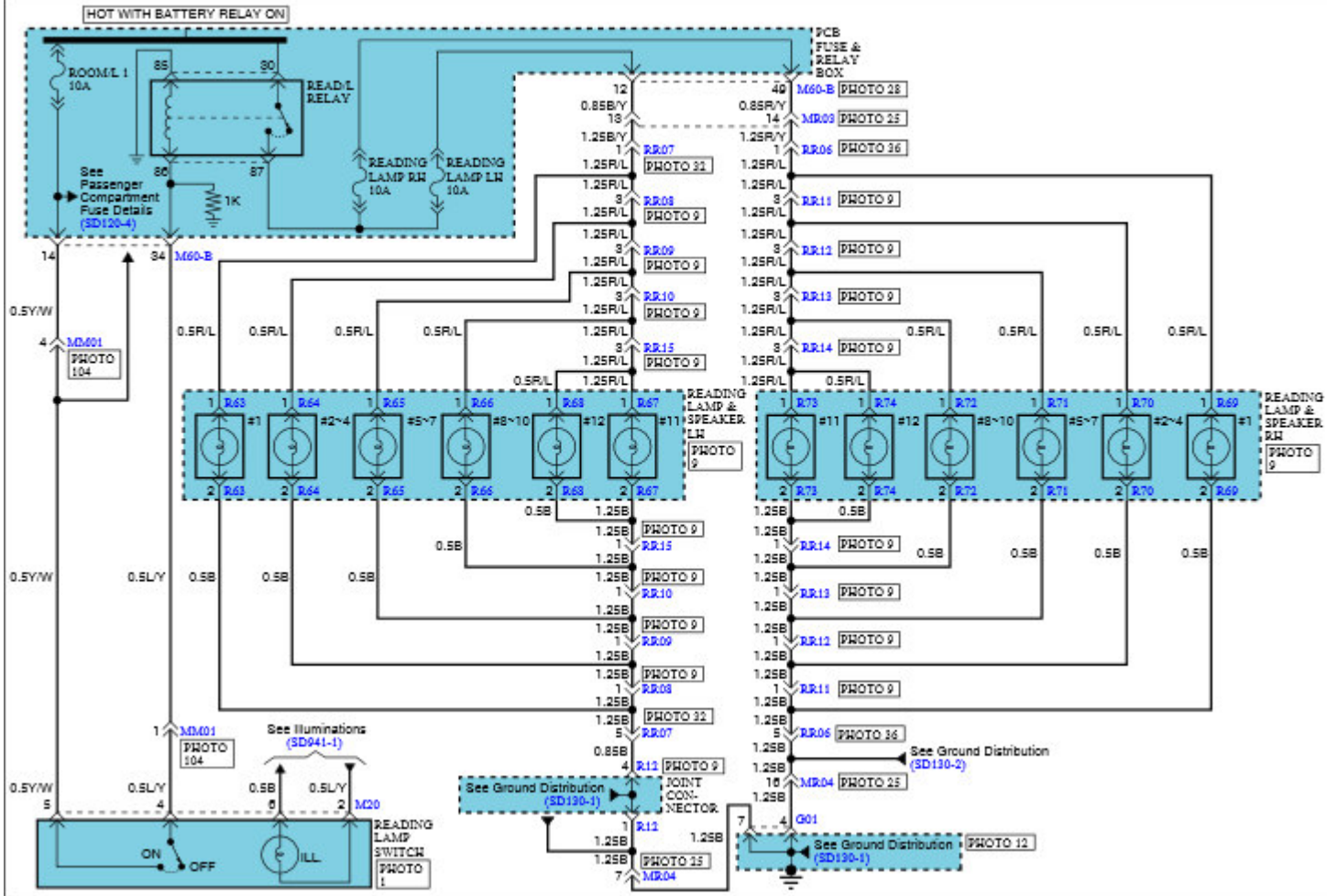
BLANK



Preheater System (2)


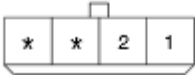
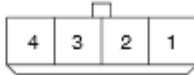

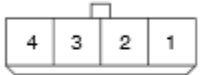
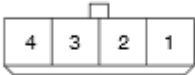
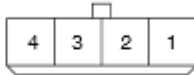
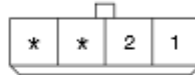
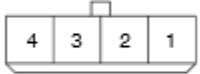
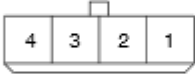
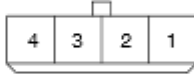
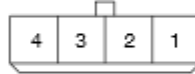
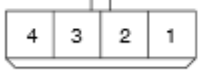
SD480-2

<p>A34</p>  <p>NMSP_2F</p>	<p>A35</p>  <p>AMP 776273_1(B)_14P</p>	<p>R48</p>  <p>SP_20F</p>	<p>R56</p>  <p>CR05M05B</p>
<p>R57</p>  <p>CR05M05B</p>	<p>BLANK</p>	<p>BLANK</p>	<p>BLANK</p>
Empty space for additional diagrams or notes			



Reading Lamps (2)

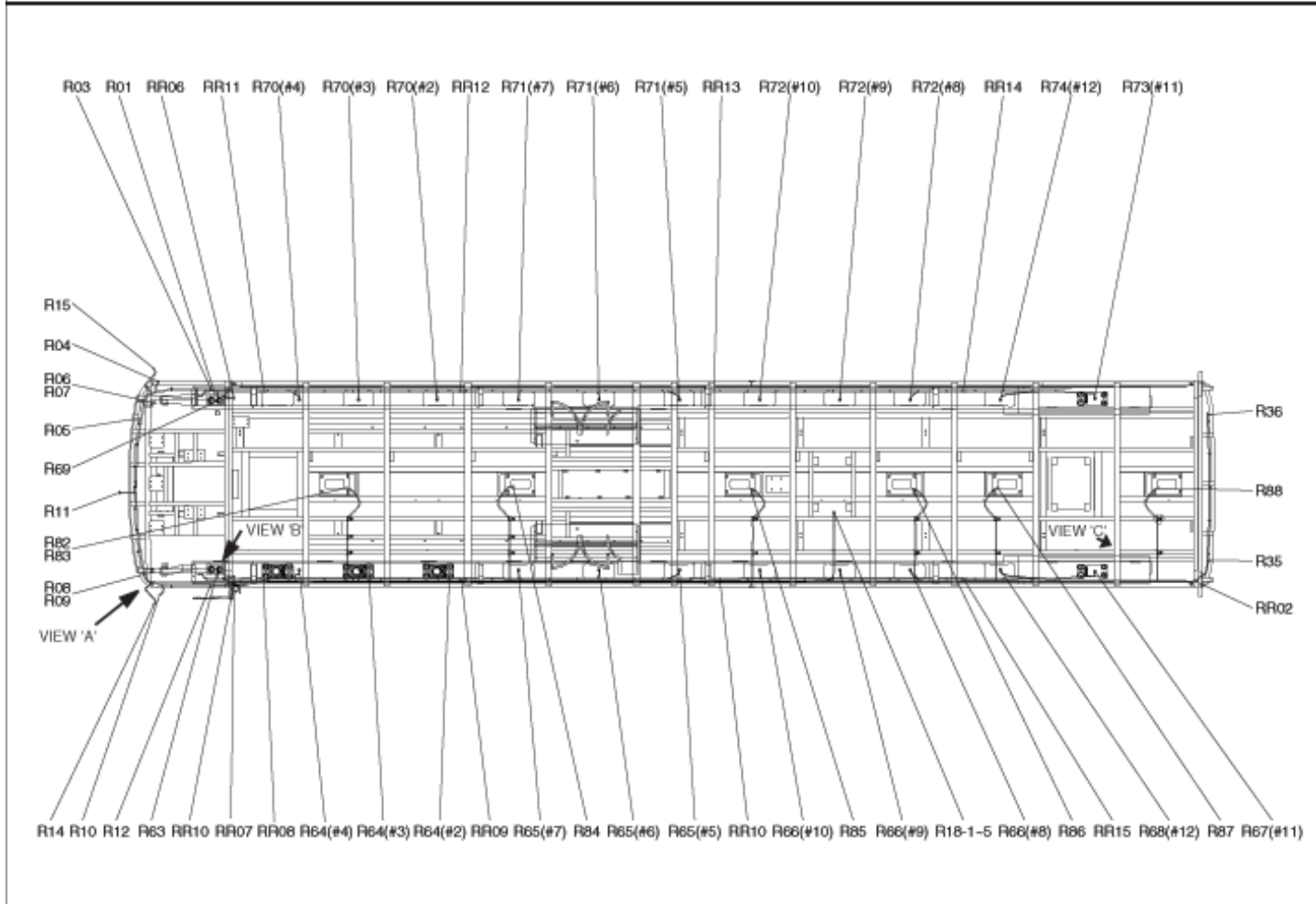
SD929-6

<p>M20</p>  <p>MNK_DL_G(L)</p>	<p>R63</p>  <p>CR04FD62</p>	<p>R64</p>  <p>CR04FD62</p>	<p>R65</p>  <p>CR04FD62</p>
<p>R66</p>  <p>CR04FD62</p>	<p>R67</p>  <p>CR04FD62</p>	<p>R68</p>  <p>CR04FD62</p>	<p>R69</p>  <p>CR04FD62</p>
<p>R70</p>  <p>CR04FD62</p>	<p>R71</p>  <p>CR04FD62</p>	<p>R72</p>  <p>CR04FD62</p>	<p>R73</p>  <p>CR04FD62</p>
<p>R74</p>  <p>CR04FD62</p>	<p>BLANK</p>	<p>BLANK</p>	<p>BLANK</p>



Roof Harness (1)

HL-9



**TV HARNESS**

R18-1 Center TV  
 R18-2 Center TV  
 R18-3 Center TV  
 R18-4 Center TV  
 R18-5 Center TV  
 RR05 Connection With Roof Front Harness

**ROOF HARNESS**

R23 Room Lamp #1  
 R24 Room Lamp #2  
 R25 Room Lamp #3  
 R26 Room Lamp #4  
 R27 Room Lamp #5  
 R28 Room Lamp #6  
 R29 Room Lamp #7  
 R30 Room Lamp #8  
 R31 Room Lamp #9  
 R32 Room Lamp #10  
 R33 Room Lamp #11  
 R34 Room Lamp #12  
 R82 LED Room Lamp #1  
 R83 LED Room Lamp #2  
 R84 LED Room Lamp #3  
 R85 LED Room Lamp #4  
 R86 LED Room Lamp #5  
 R87 LED Room Lamp #6  
 R88 LED Room Lamp #7  
 RR01 Connection With Roof Front Harness  
 RR02 Connection With Rr Marker/L Harness

**REAR MARKER LAMP HARNESS**

R35 Rear Marker Lamp LH  
 R36 Rear Marker Lamp RH  
 RR02 Connection With Roof Harness

**VENTILATOR HARNESS**

R38 Rear Ventilator  
 RR04 Connection With Roof Front Harness

**READING LAMP & SPEAKER LH #1 HARNESS**

R63 Reading Lamp & Speaker LH #1  
 RR07 Connection With Roof Front Harness  
 RR08 Connection With Reading Lamp & Speaker LH #2 Harness

**READING LAMP & SPEAKER LH #2 HARNESS**

R64 Reading Lamp & Speaker Lh #2-4  
 RR08 Connection With Reading Lamp & Speaker LH #1 Harness  
 RR09 Connection With Reading Lamp & Speaker LH #3 Harness

**READING LAMP & SPEAKER LH #3 HARNESS**

R65 Reading Lamp & Speaker LH #5-7  
 RR09 Connection With Reading Lamp & Speaker LH #2 Harness  
 RR10 Connection With Reading Lamp & Speaker LH #4 Harness

**READING LAMP & SPEAKER LH #4 HARNESS**

R66 Reading Lamp & Speaker LH #8-10  
 RR10 Connection With Reading Lamp & Speaker LH #3 Harness  
 RR15 Connection With Reading Lamp & Speaker LH #5 Harness

**READING LAMP & SPEAKER LH #5 HARNESS**

R67 Reading Lamp & Speaker LH #11  
 R68 Reading Lamp & Speaker LH #12  
 RR15 Connection With Reading Lamp & Speaker LH #4 Harness

**EARPHONE HARNESS**

R81-1 Earphone #1-18  
 R81-2 Earphone #1-18  
 MR07 Connection With Main Harness

**READING LAMP & SPEAKER RH #1 HARNESS**

R69 Reading Lamp & Speaker RH #1  
 RR06 Connection With Roof Front Harness  
 RR11 Connection With Reading Lamp & Speaker RH #2 Harness

**READING LAMP & SPEAKER RH #2 HARNESS**

R70 Reading Lamp & Speaker RH #2-4  
 RR11 Connection With Reading Lamp & Speaker RH #1 Harness  
 RR12 Connection With Reading Lamp & Speaker RH #3 Harness

**READING LAMP & SPEAKER RH #3 HARNESS**

R71 Reading Lamp & Speaker RH#5-7  
 RR12 Connection With Reading Lamp & Speaker RH #2 Harness  
 RR13 Connection With Reading Lamp & Speaker RH #4 Harness

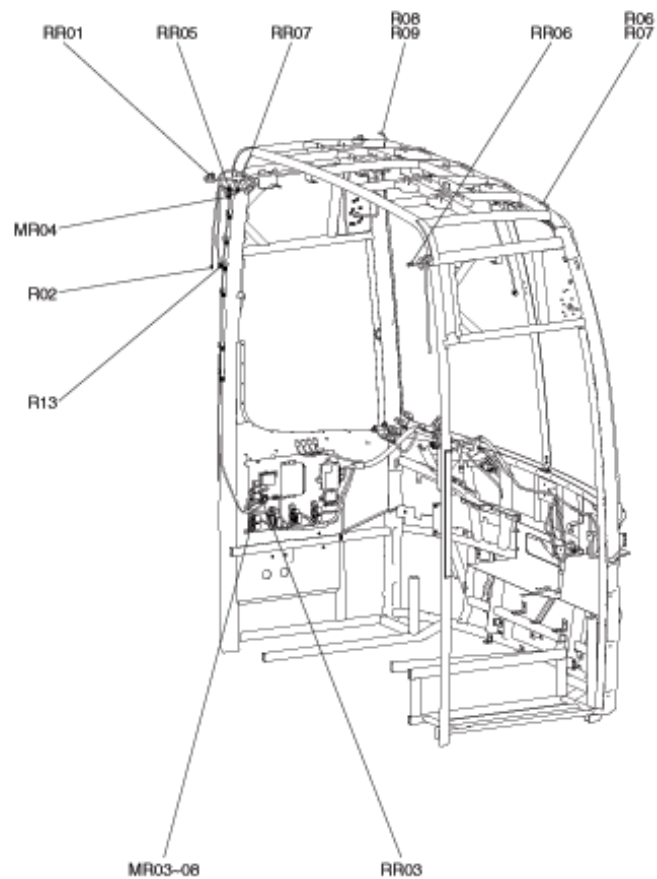
**READING LAMP & SPEAKER RH #4 HARNESS**

R72 Reading Lamp & Speaker RH #8-10  
 RR13 Connection With Reading Lamp & Speaker RH #3 Harness  
 RR14 Connection With Reading Lamp & Speaker RH #5 Harness

**READING LAMP & SPEAKER RH #5 HARNESS**

R73 Reading Lamp & Speaker RH #11  
 R74 Reading Lamp & Speaker RH #12  
 RR14 Connection With Reading Lamp & Speaker RH #4 Harness

## VIEW 'A'



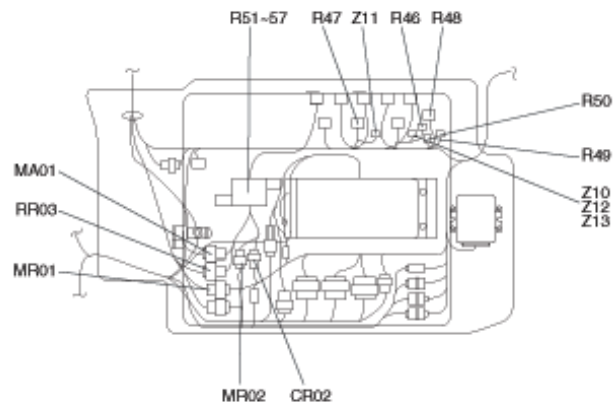
## ROOF FRONT HARNESS

R01	Roof Molding Lamp RH
R02	DVD Power
R03	Joint Connector
R04	Step Lamp
R05	Digital Clock
R06	Marker Lamp RH
R07	Marker Lamp RH(With Spoiler)
R08	Marker Lamp LH
R09	Marker Lamp LH(With Spoiler)
R10	Driver Lamp
R11	Front LCD TV
R12	Joint Connector
R13	Roof Molding Lamp LH
R14	Outside Mirror LH
R15	Outside Mirror RH
R16	Digital Tachograph
R17	Center TV Relay
MR03	Connection With PCB Harness
MR04	Connection With Main Harness
MR05	Connection With Main Harness
MR06	Connection With Main Harness
MR08	Connection With PCB Harness
RR01	Connection With Roof Harness
RR03	Connection With HVAC Harness
RR04	Connection With Vent Harness
RR05	Connection With TV Harness
RR06	Connection With Reading Lamp & Speaker RH #1 Harness
RR07	Connection With Reading Lamp & Speaker LH #1 Harness

## Roof Harness (4)

HL-12

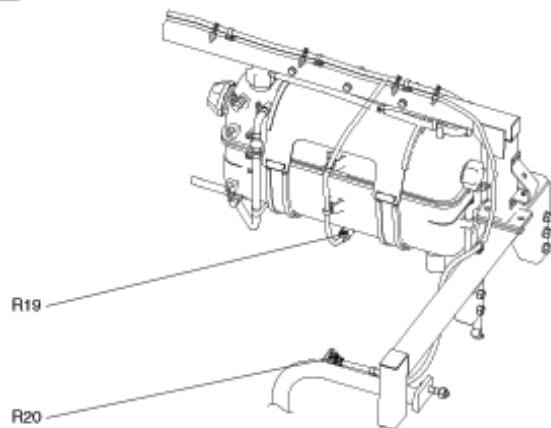
### VIEW 'B'



### HVAC HARNESS

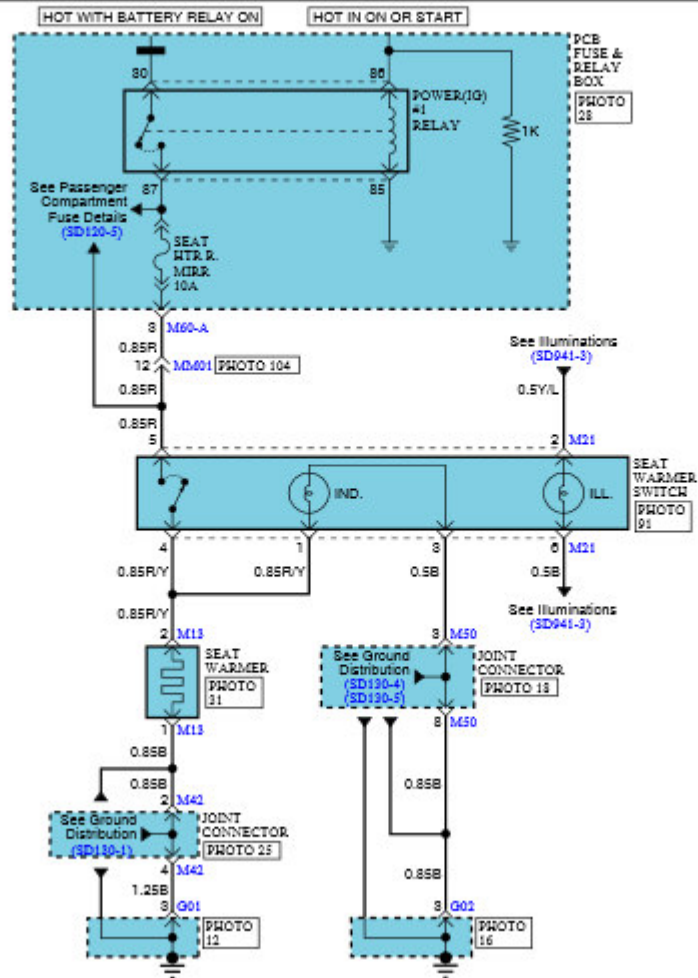
R46	Ventilator Switch
R47	REC/FRE Switch
R48	PCB A/Con Control Module
R49	A/Con Switch
R50	A/Con Switch(Spare)
R51	REC/FRE Ventilator Relay #1
R52	REC/FRE Ventilator Relay #2
R53	Ventilator Relay #1
R54	Ventilator Relay #2
R56	Preheater Relay #1
R57	Preheater Relay #2
CR02	Connection With Chassis No.1 Harness
MR01	Connection With Main Harness
MR02	Connection With PCB Harness
RA01	Connection With A/Con Harness
RA02	Connection With A/Con Harness
RR03	Connection With Roof Front Harness
Z10	Diode #10
Z11	Diode #11
Z12	Diode #12
Z13	Diode #13

### VIEW 'C'



### FAN CLUTCH HARNESS

R19	Water Level Sensor
R20	Electronic Fan Clutch
CR01	Connection With Chassis No.3 Harness



M12



MNK\_DL\_2F

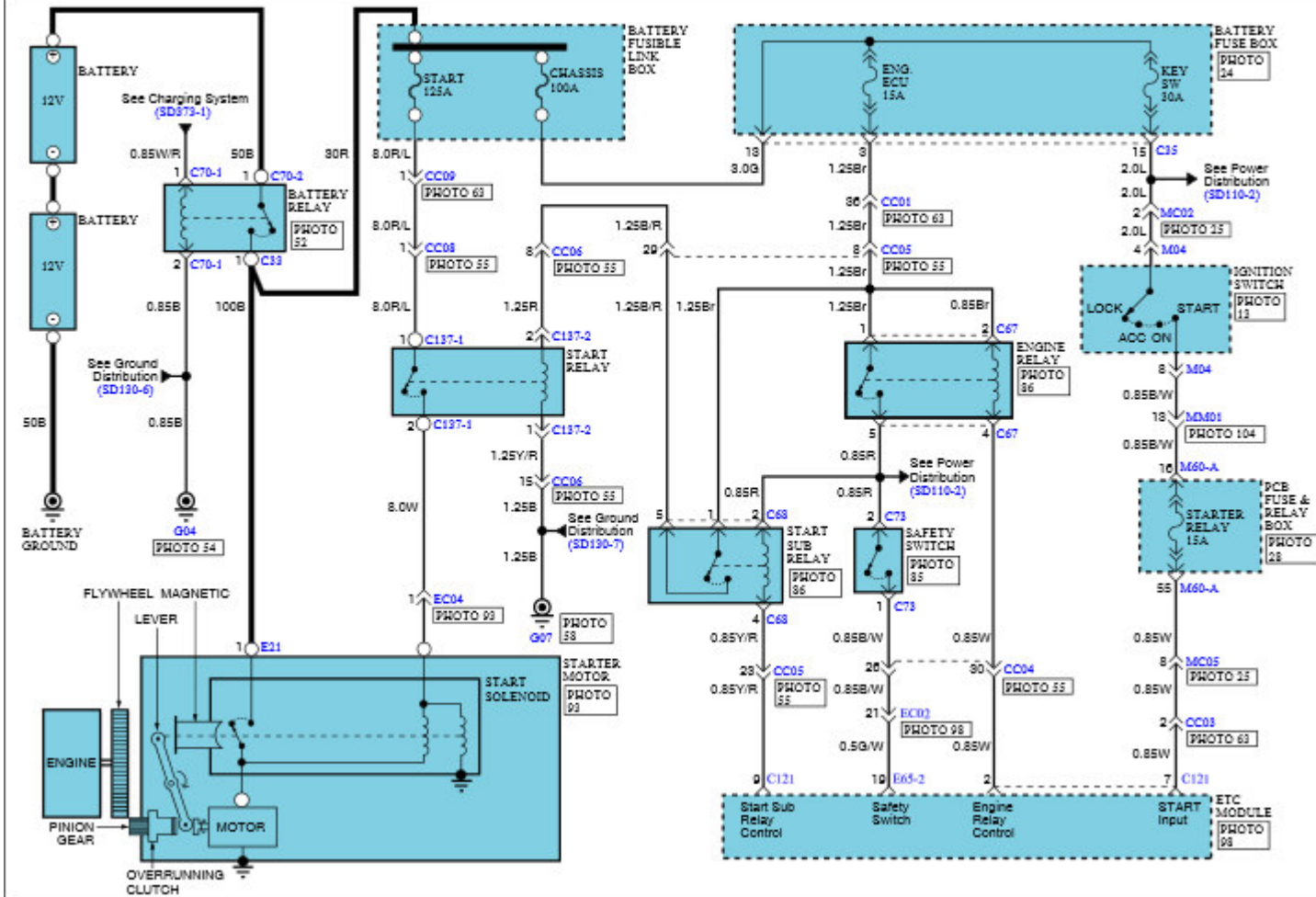
M21

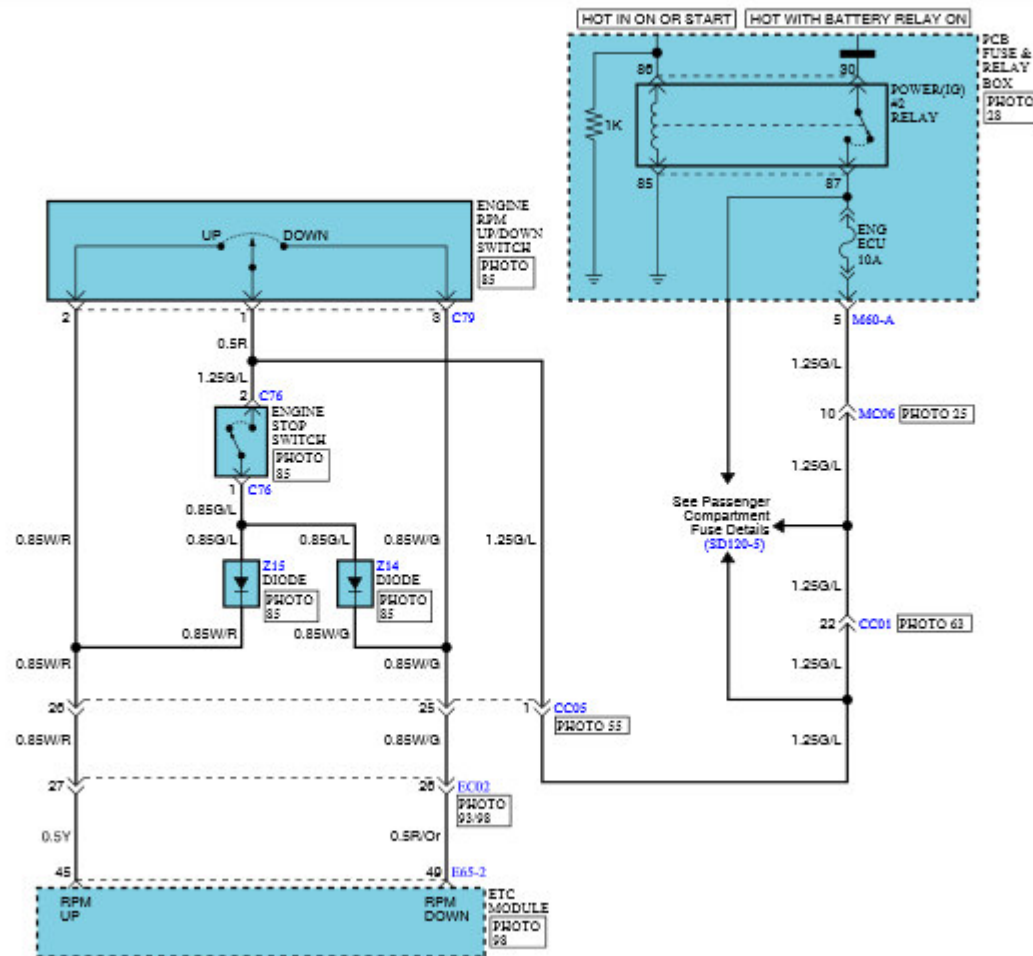


MNK\_DL\_6F


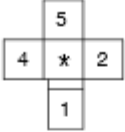
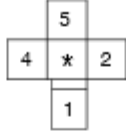


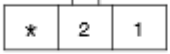
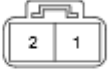

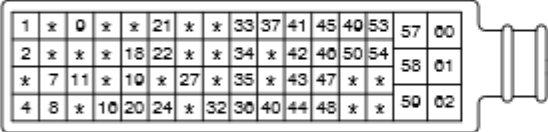
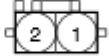
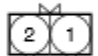

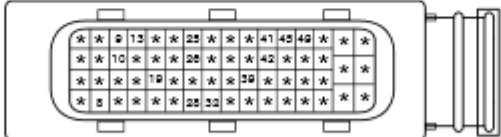
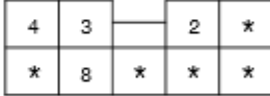
BLANK

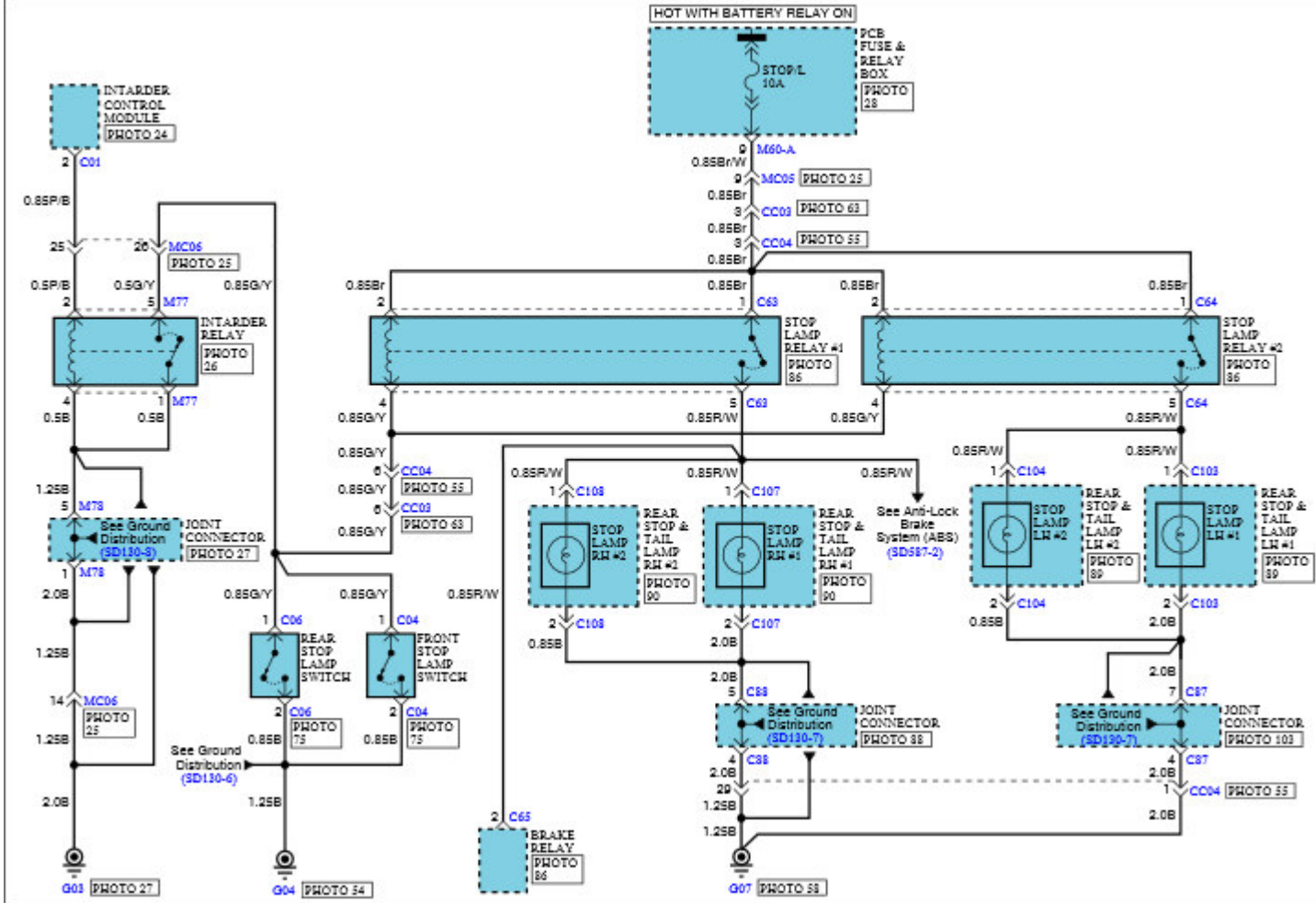
BLANK





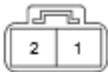

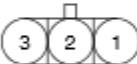
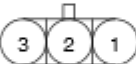




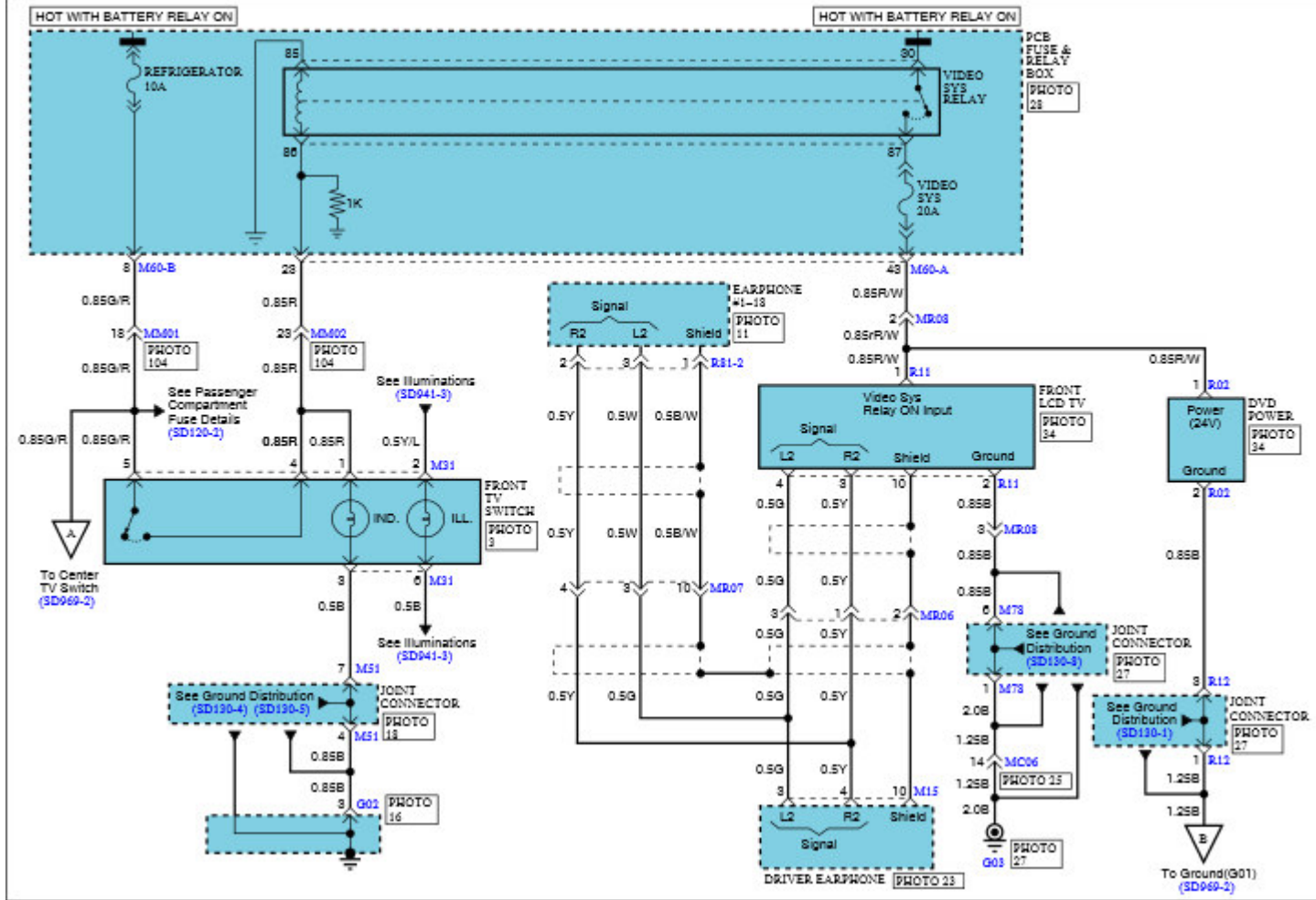
<p><b>C33</b></p>  <p>CR01F034</p>	<p><b>C67</b></p>  <p>MC_PD_5F</p>	<p><b>C68</b></p>  <p>MC_PD_5F</p>	<p><b>C70-1</b></p>  <p>NMSP_2F</p>
<p><b>C70-2</b></p>  <p>CR01F034</p>	<p><b>C73</b></p>  <p>CR03F073</p>	<p><b>C76</b></p>  <p>NMSP_2F</p>	<p><b>C79</b></p>  <p>CR03F073</p>
<p><b>C121</b></p>  <p>CR62F002</p>		<p><b>C137-1</b></p>  <p>CR02F100</p>	<p><b>C137-2</b></p>  <p>CR02F040</p>
<p><b>E21</b></p>  <p>CR01F034</p>	<p><b>E65-2</b></p>  <p>CR62F001</p>		<p><b>M04</b></p>  <p>PA-9F</p>

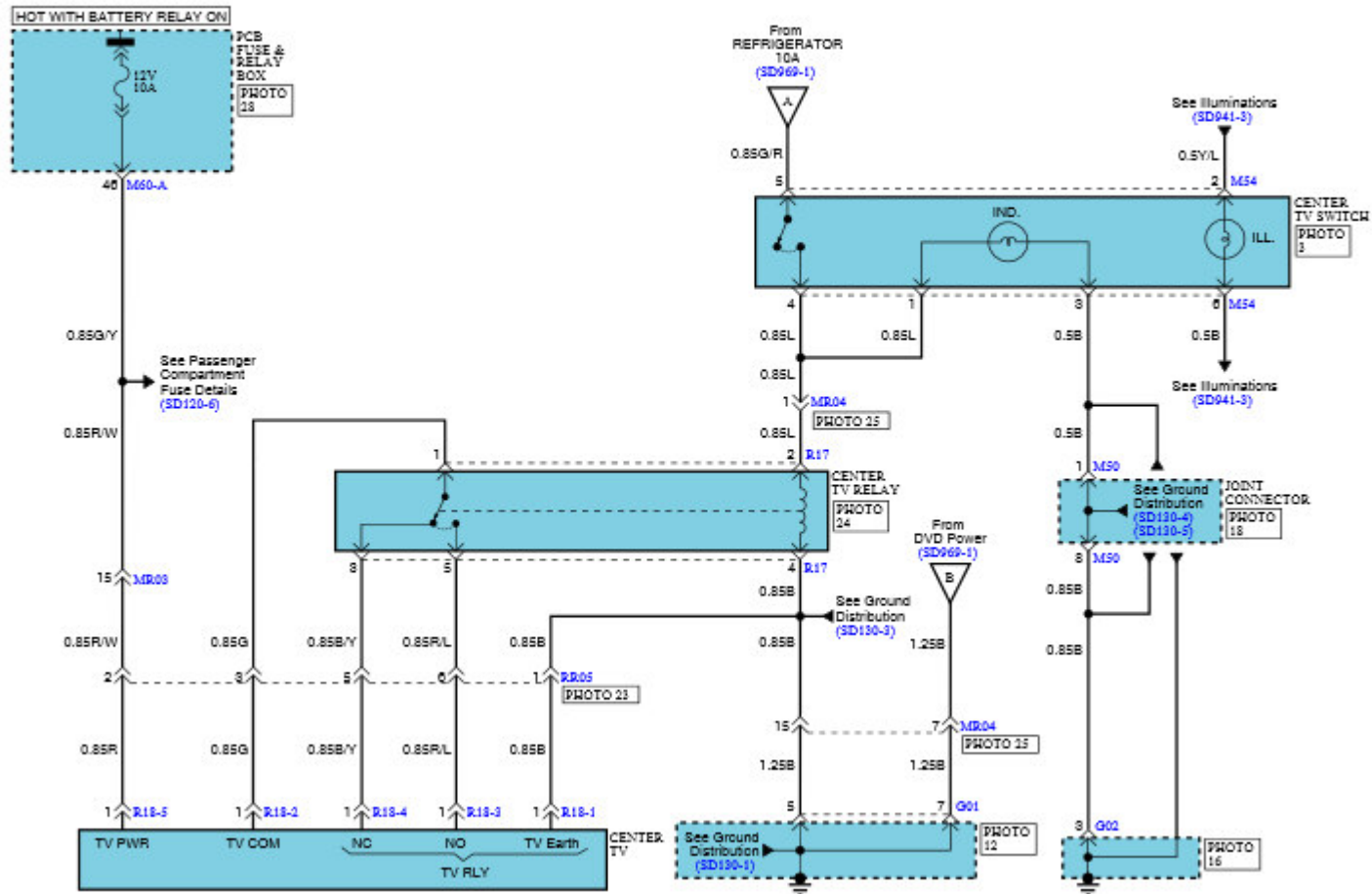


Stop Lamps (2)

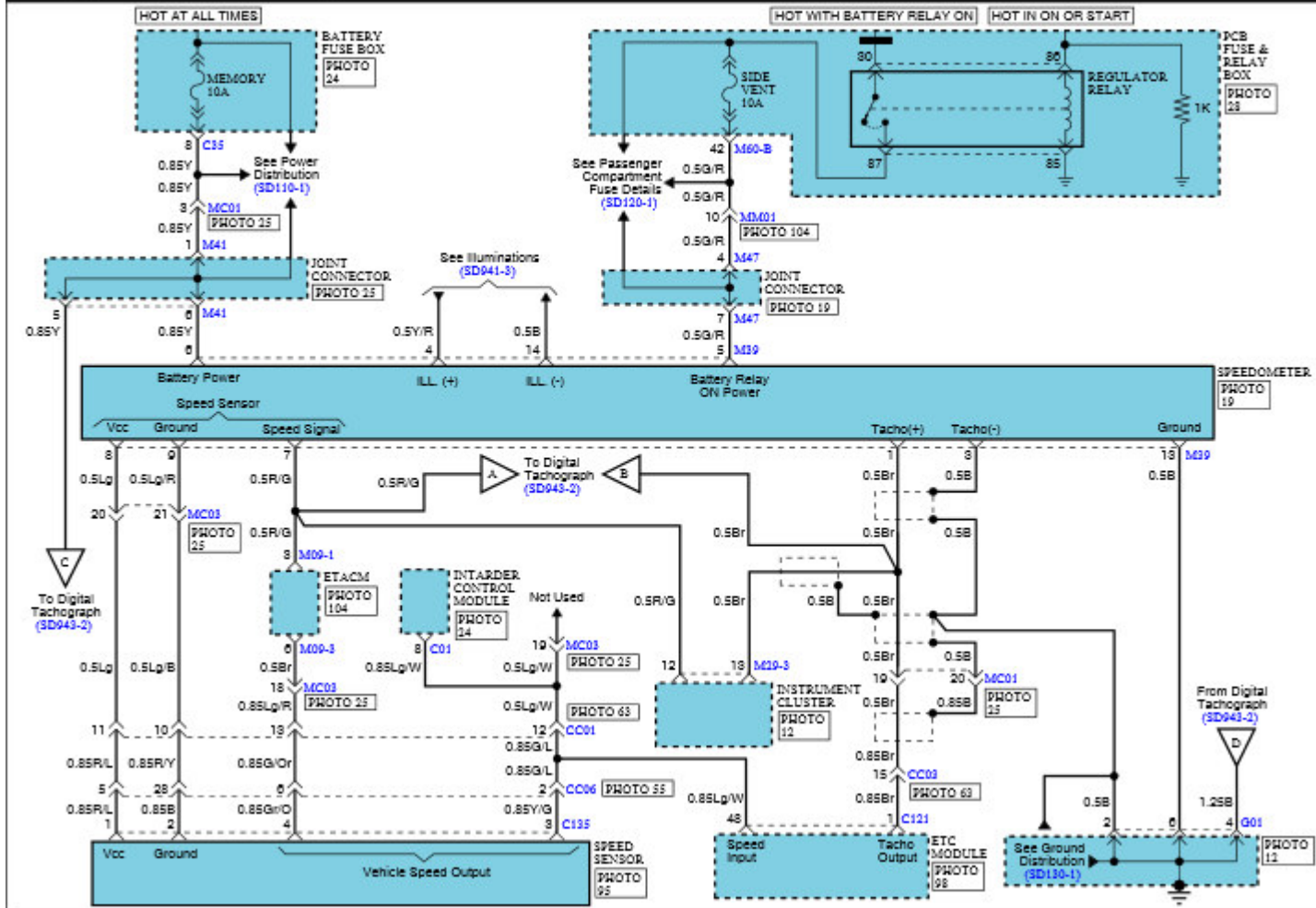
SD927-2

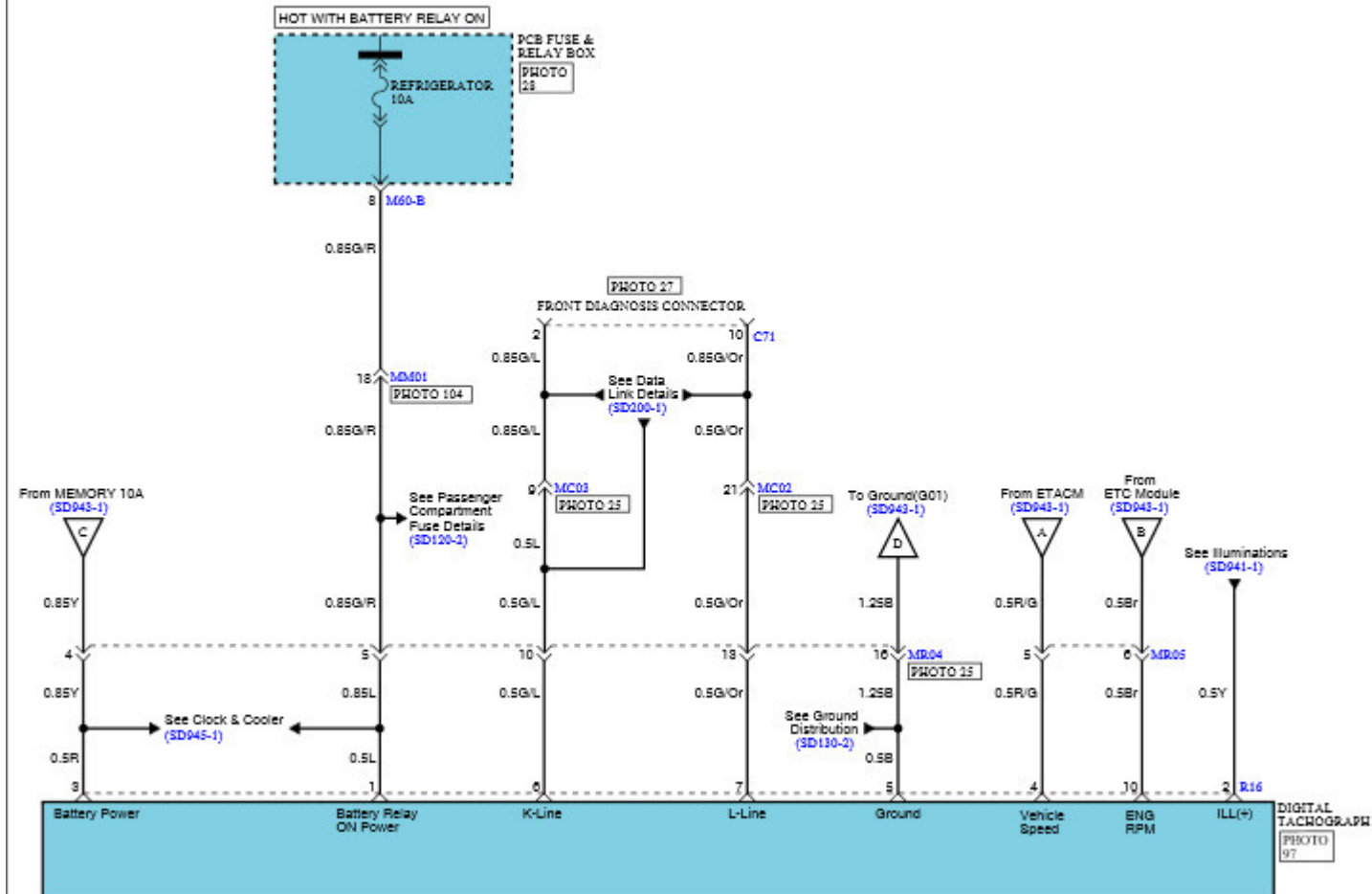
C01			C04																																																																																			
<table border="1" style="width: 100%; border-collapse: collapse; text-align: center;"> <tr> <td>28</td><td>27</td><td>*</td><td>*</td><td>*</td><td>*</td><td>22</td><td>*</td><td>*</td><td>*</td><td>*</td><td>17</td><td>16</td><td>15</td><td>14</td><td>*</td><td>*</td><td>*</td><td>*</td><td>9</td><td>8</td><td>*</td><td>*</td><td>*</td><td>4</td><td>3</td><td>2</td><td>1</td> </tr> <tr> <td>55</td><td>54</td><td>53</td><td>*</td><td>*</td><td>*</td><td>49</td><td>*</td><td>*</td><td>*</td><td>45</td><td>44</td><td>43</td><td>42</td><td>41</td><td>*</td><td>*</td><td>*</td><td>37</td><td>*</td><td>*</td><td>34</td><td>*</td><td>*</td><td>31</td><td>30</td><td>29</td> </tr> <tr> <td>*</td><td>*</td><td>*</td><td>*</td><td>*</td><td>*</td><td>*</td><td>*</td><td>*</td><td>*</td><td>*</td><td>*</td><td>*</td><td>*</td><td>*</td><td>*</td><td>*</td><td>*</td><td>*</td><td>*</td><td>*</td><td>*</td><td>*</td><td>*</td><td>*</td><td>*</td><td>*</td><td>*</td> </tr> </table>			28	27	*	*	*	*	22	*	*	*	*	17	16	15	14	*	*	*	*	9	8	*	*	*	4	3	2	1	55	54	53	*	*	*	49	*	*	*	45	44	43	42	41	*	*	*	37	*	*	34	*	*	31	30	29	*	*	*	*	*	*	*	*	*	*	*	*	*	*	*	*	*	*	*	*	*	*	*	*	*	*	*	*	
28	27	*	*	*	*	22	*	*	*	*	17	16	15	14	*	*	*	*	9	8	*	*	*	4	3	2	1																																																											
55	54	53	*	*	*	49	*	*	*	45	44	43	42	41	*	*	*	37	*	*	34	*	*	31	30	29																																																												
*	*	*	*	*	*	*	*	*	*	*	*	*	*	*	*	*	*	*	*	*	*	*	*	*	*	*	*																																																											
CR88F003			NMSP_2F																																																																																			
C06	C63	C64	C65																																																																																			
	<table border="1" style="width: 40px; height: 40px; border-collapse: collapse; text-align: center;"> <tr><td>5</td></tr> <tr><td>4 * 2</td></tr> <tr><td>1</td></tr> </table>	5	4 * 2	1	<table border="1" style="width: 40px; height: 40px; border-collapse: collapse; text-align: center;"> <tr><td>5</td></tr> <tr><td>4 * 2</td></tr> <tr><td>1</td></tr> </table>	5	4 * 2	1	<table border="1" style="width: 40px; height: 40px; border-collapse: collapse; text-align: center;"> <tr><td>5</td></tr> <tr><td>4 * 2</td></tr> <tr><td>1</td></tr> </table>	5	4 * 2	1																																																																										
5																																																																																						
4 * 2																																																																																						
1																																																																																						
5																																																																																						
4 * 2																																																																																						
1																																																																																						
5																																																																																						
4 * 2																																																																																						
1																																																																																						
NMSP_2F	MC_PD_5F	MC_PD_5F	MC_PD_5F																																																																																			
C103	C104	C107	C108																																																																																			
																																																																																						
SWP_3F	SWP_3F	SWP_3F	SWP_3F																																																																																			
M77	BLANK	BLANK	BLANK																																																																																			
<table border="1" style="width: 40px; height: 40px; border-collapse: collapse; text-align: center;"> <tr><td>5</td></tr> <tr><td>4 * 2</td></tr> <tr><td>1</td></tr> </table>	5	4 * 2	1																																																																																			
5																																																																																						
4 * 2																																																																																						
1																																																																																						
CR05F022																																																																																						



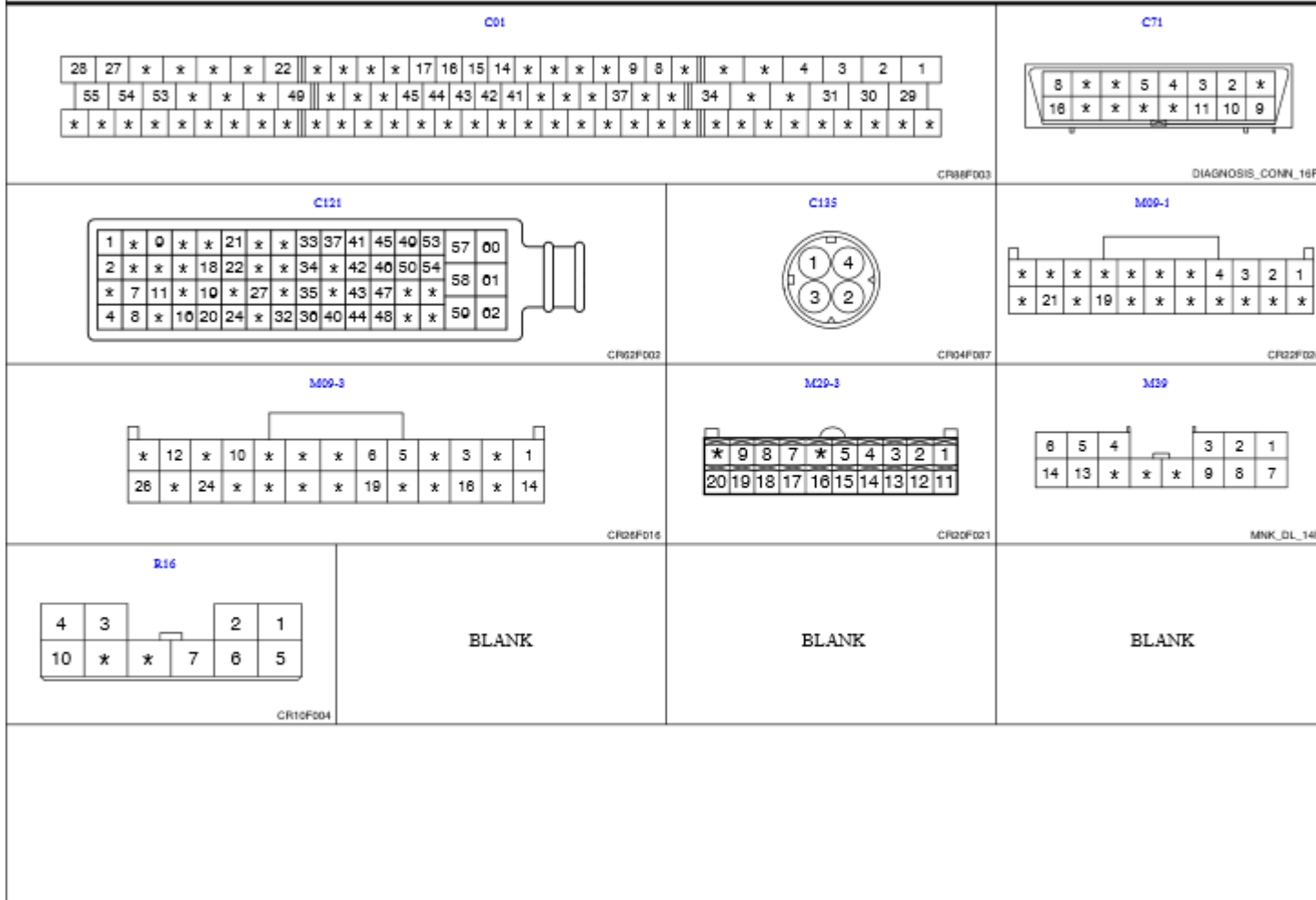


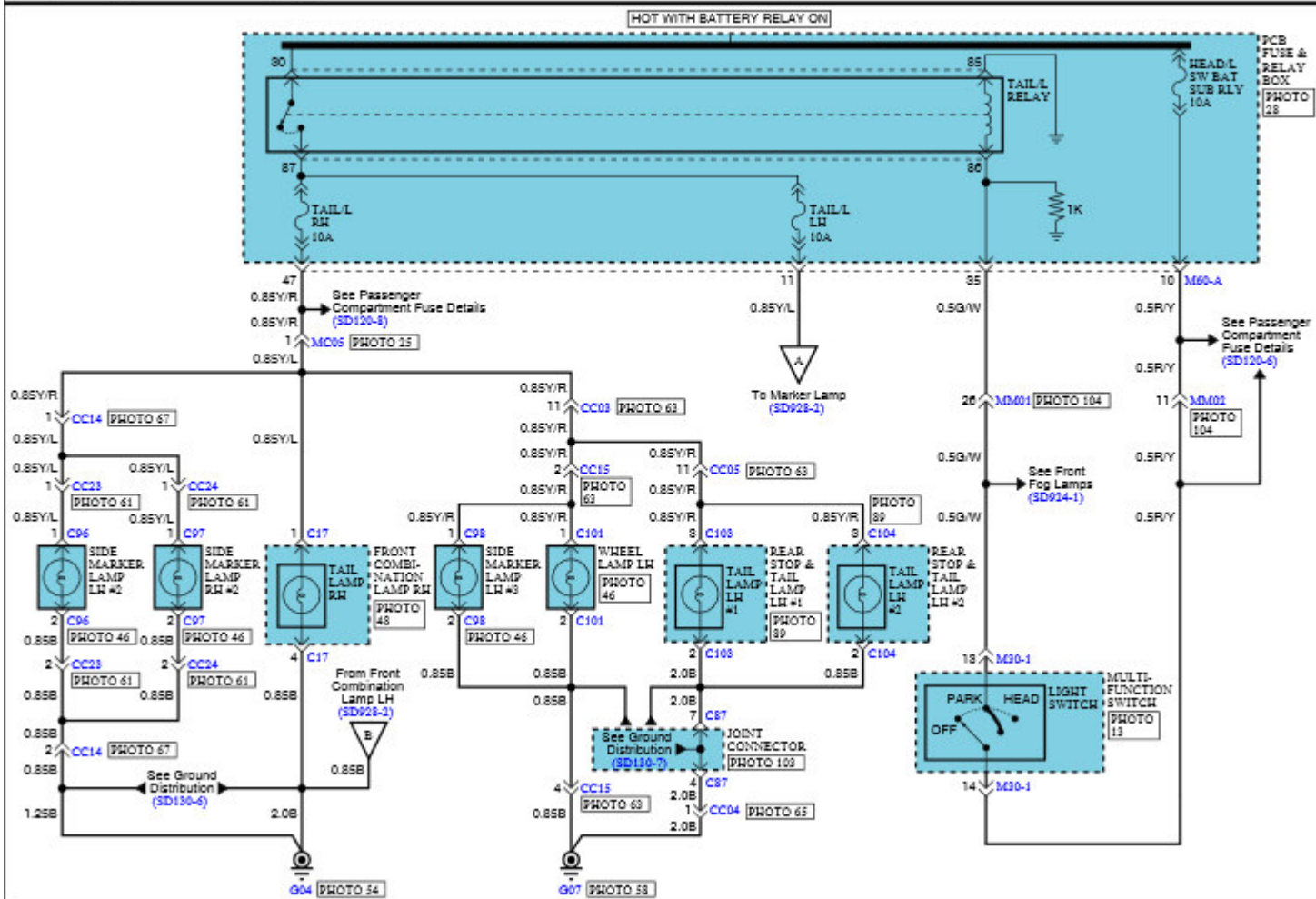
<p><b>M15</b></p> <p>CR10F004</p>	<p><b>M31</b></p> <p>MNK_DL_0F</p>	<p><b>M54</b></p> <p>MNK_DL_0F</p>	<p><b>R01</b></p> <p>MN_SL_2F</p>
<p><b>R11</b></p> <p>CR10F004</p>	<p><b>R17</b></p> <p>CR05F002</p>	<p><b>R18-1</b></p> <p>CR01F034</p>	<p><b>R18-2</b></p> <p>CR01F034</p>
<p><b>R18-3</b></p> <p>CR01F034</p>	<p><b>R18-4</b></p> <p>CR01F034</p>	<p><b>R18-5</b></p> <p>CR01F034</p>	<p><b>R21-2</b></p> <p>CR04M107</p>

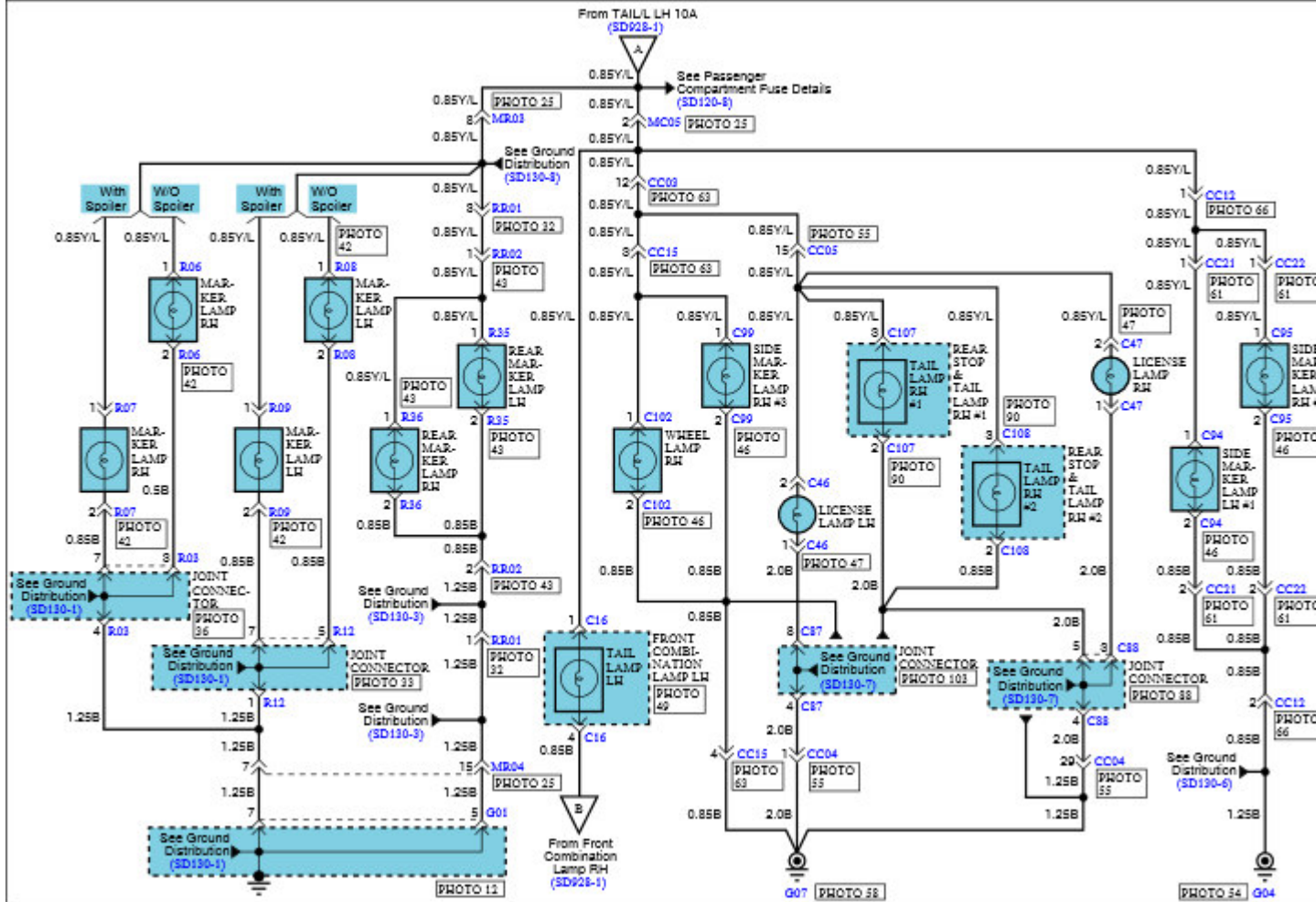








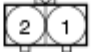
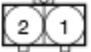
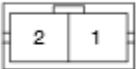
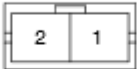
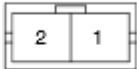
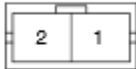
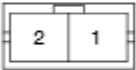
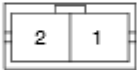
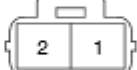
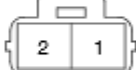
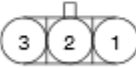
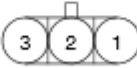
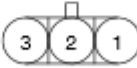
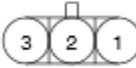
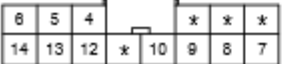
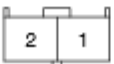
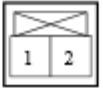
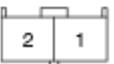






Tail, Parking & License Lamps (3)

SD928-3

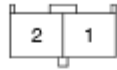
<p><b>C16</b></p>  <p>NMWP_6F</p>	<p><b>C17</b></p>  <p>NMWP_6F</p>	<p><b>C46</b></p>  <p>CR02FD40</p>	<p><b>C47</b></p>  <p>CR02FD40</p>
<p><b>C94</b></p>  <p>CR01F215</p>	<p><b>C95</b></p>  <p>CR01F215</p>	<p><b>C96</b></p>  <p>CR01F215</p>	<p><b>C97</b></p>  <p>CR01F215</p>
<p><b>C98</b></p>  <p>CR01F215</p>	<p><b>C99</b></p>  <p>CR01F215</p>	<p><b>C101</b></p>  <p>NOWP_2F</p>	<p><b>C102</b></p>  <p>NOWP_2F</p>
<p><b>C103</b></p>  <p>SWP_3F</p>	<p><b>C104</b></p>  <p>SWP_3F</p>	<p><b>C107</b></p>  <p>SWP_3F</p>	<p><b>C108</b></p>  <p>SWP_3F</p>
<p><b>M30-1</b></p>  <p>MNK-DL-14F</p>	<p><b>R06</b></p>  <p>CR02F146</p>	<p><b>R07</b></p>  <p>MBA_DL_2M</p>	<p><b>R08</b></p>  <p>CR02F146</p>

R09



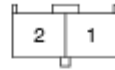
MSA\_DL\_2M

R15



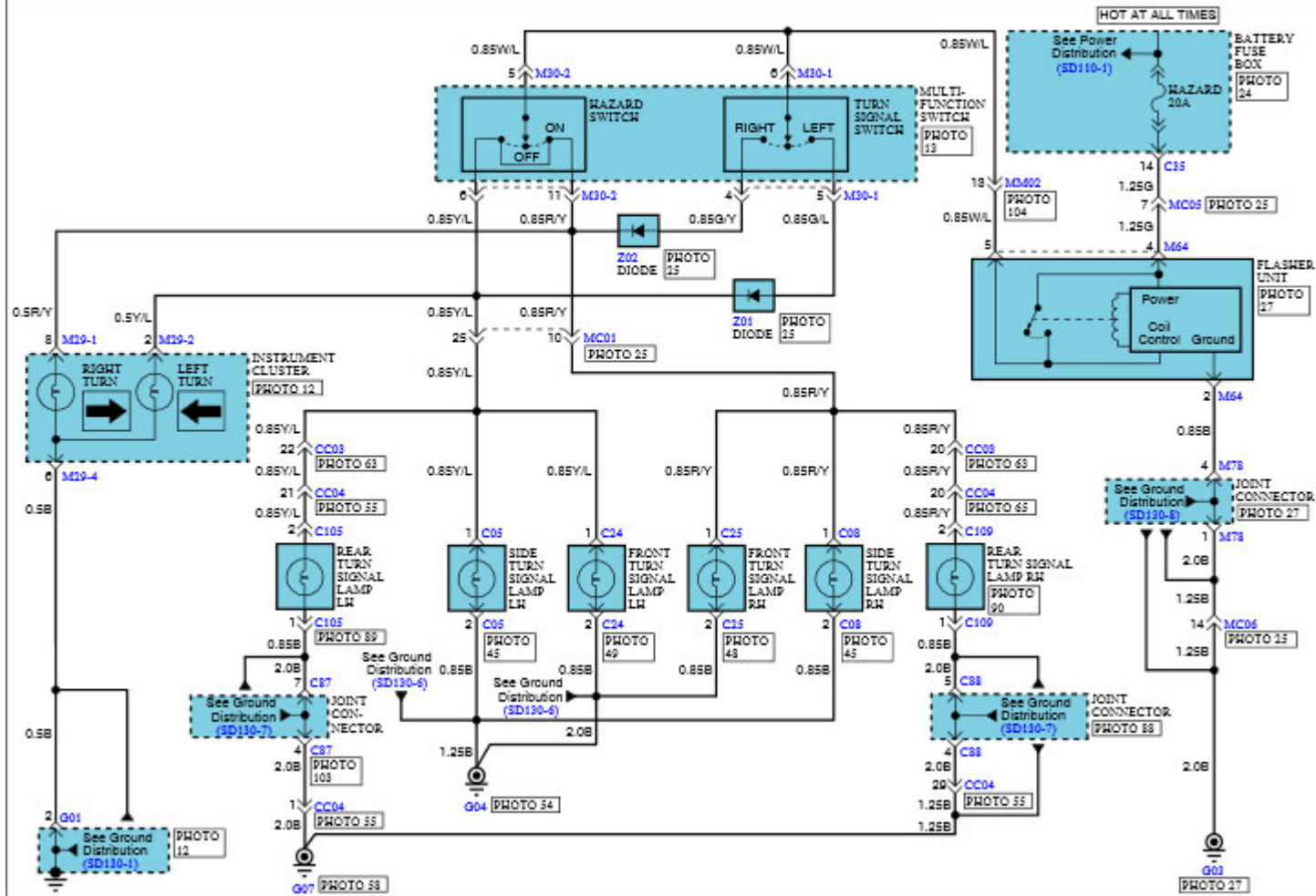
CR02F146

R16



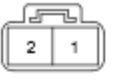
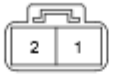


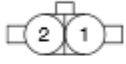

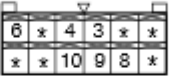
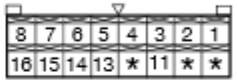

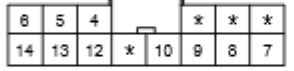
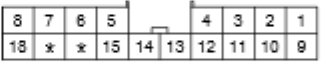
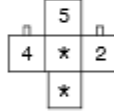
CR02F146

BLANK

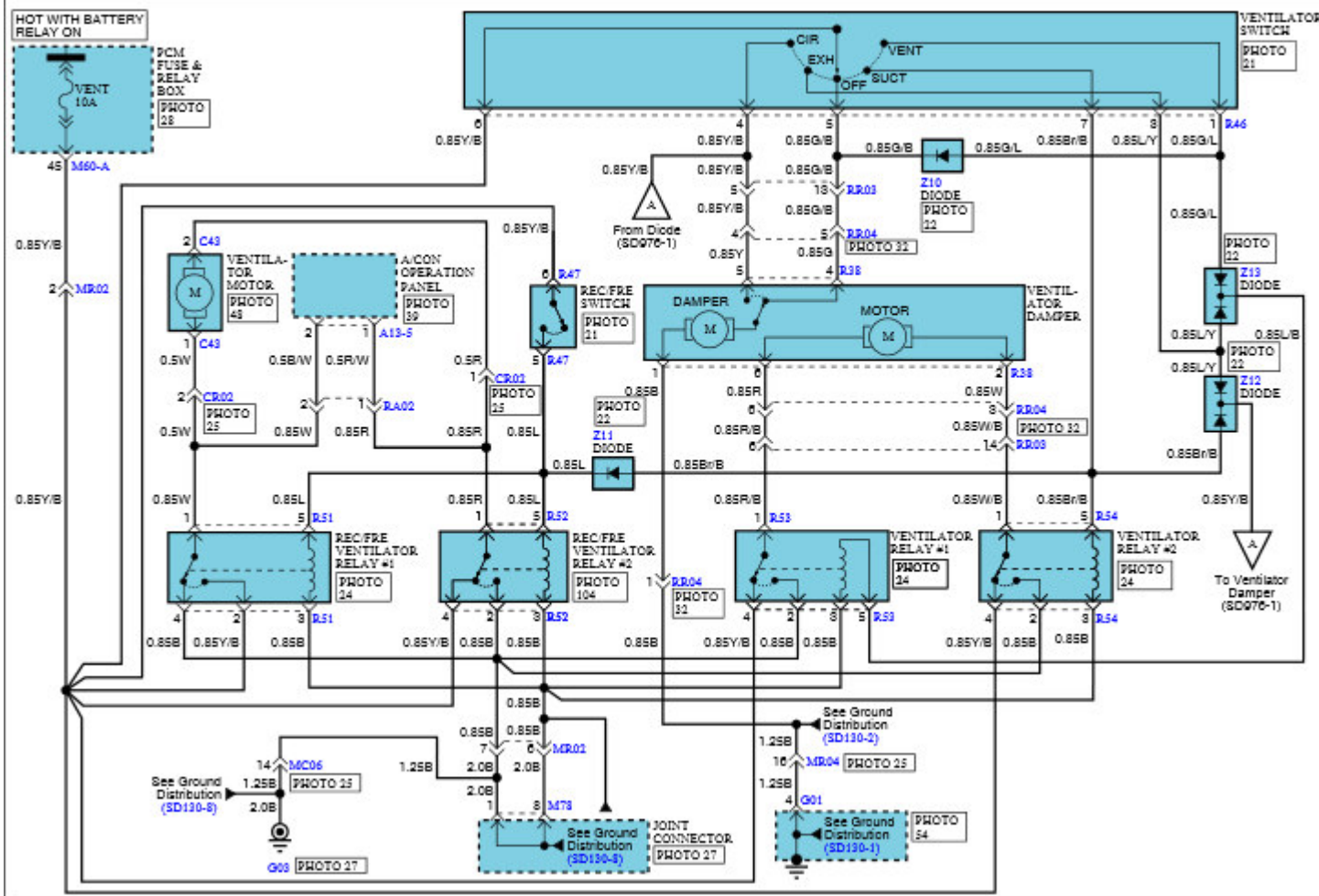


Turn & Hazard Lamps (2)

SD925-2

<p>C05</p>  <p>NDWP-2F</p>	<p>C08</p>  <p>NDWP-2F</p>	<p>C24</p>  <p>NDWP-2F</p>	<p>C25</p>  <p>NDWP-2F</p>
<p>C105</p>  <p>NDWP-2F</p>	<p>C109</p>  <p>NDWP-2F</p>	<p>M29-1</p>  <p>CR12FD01</p>	<p>M29-2</p>  <p>CR16FD19</p>
<p>M29-4</p>  <p>CR16FD19</p>	<p>M30-1</p>  <p>MNK-DL-14F</p>	<p>M30-2</p>  <p>MNK-DL-18F</p>	<p>M64</p>  <p>CR05FD22</p>


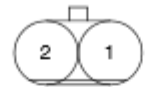
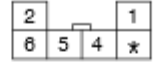

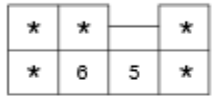
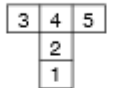
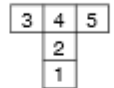

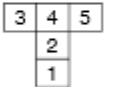






Ventilator Controls (2)

SD976-2

<p style="text-align: center; color: blue;">A13-S</p>  <p style="text-align: right; font-size: small;">CR03F073</p>	<p style="text-align: center; color: blue;">C43</p>  <p style="text-align: right; font-size: small;">CR02F120</p>	<p style="text-align: center; color: blue;">R33</p>  <p style="text-align: right; font-size: small;">090_6F</p>	<p style="text-align: center; color: blue;">R46</p>  <p style="text-align: right; font-size: small;">PA_AL_7F</p>
<p style="text-align: center; color: blue;">R47</p>  <p style="text-align: right; font-size: small;">PA_AL_7F</p>	<p style="text-align: center; color: blue;">R51</p>  <p style="text-align: right; font-size: small;">CR05M059</p>	<p style="text-align: center; color: blue;">R52</p>  <p style="text-align: right; font-size: small;">CR05M059</p>	<p style="text-align: center; color: blue;">R53</p>  <p style="text-align: right; font-size: small;">CR05M059</p>
<p style="text-align: center; color: blue;">R54</p>  <p style="text-align: right; font-size: small;">CR05M059</p>	<p style="text-align: center;">BLANK</p>	<p style="text-align: center;">BLANK</p>	<p style="text-align: center;">BLANK</p>